

Drying

Dryers with dosage
of fragrances

07/2020

1. Introduction

1.1. The sense of smell

2. Dosing: FreshKare

2.1. Easy to control

2.2. Control when

2.3. Items

2.4. Sectors

2.5. Dosing system in the dryers

3. Technical details and spare parts

4. FAQ-s

1. Introduction

**Awaken
your senses!**



1.1. The sense of smell

The **sense of smell** is a very powerful sense for identification purposes and can have a strong impact on the brain as it is an integral part of it.



Dosificación en la secadora

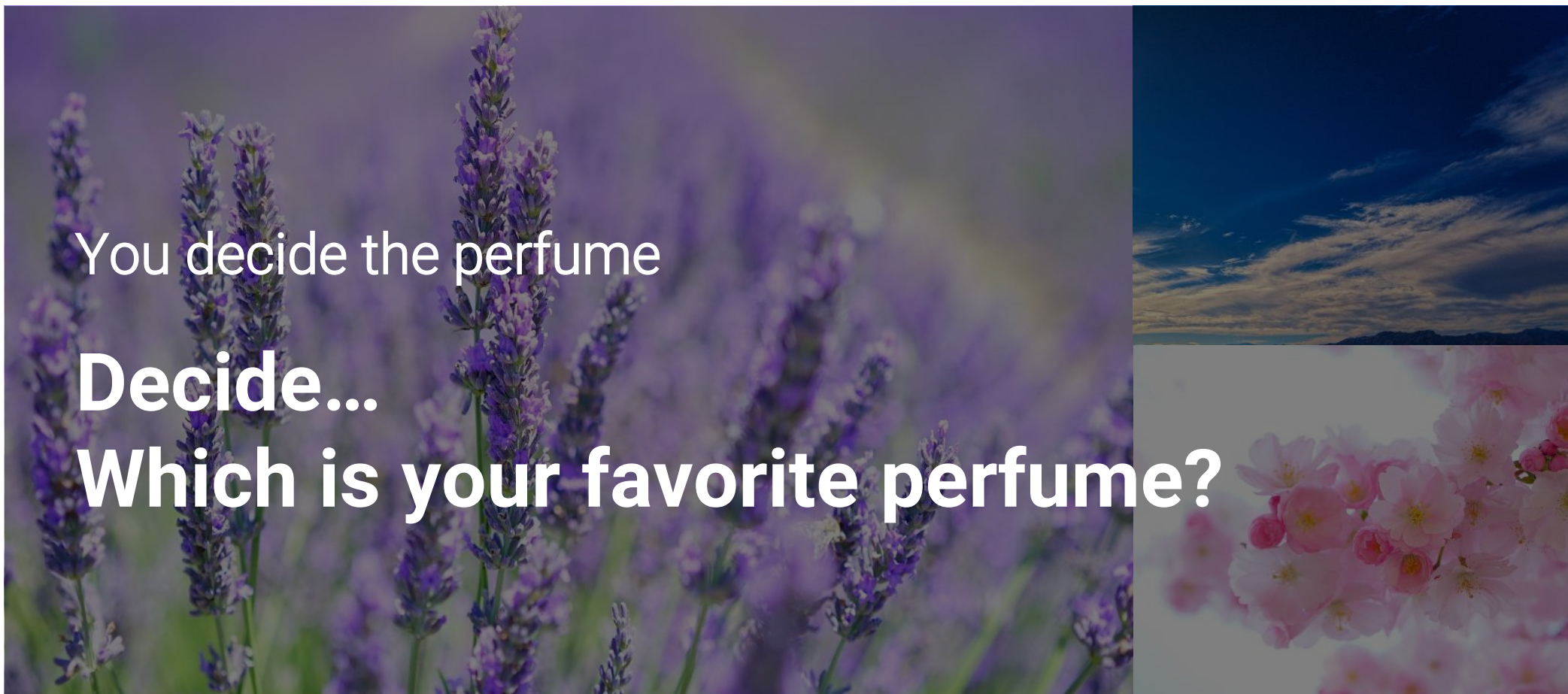




You decide the perfume

Decide...

Which is your favorite perfume?



FreshKare

2.1. Easy to control





Dosificación en la secadora



- Dosing time ("seconds)
- Drum rotation time
- Temperature to start dosing
- Mechanical action during dosing phase



- Phase screen.



- Screen in progress
(Accepts modifications for this specific phase).

Minimum temperature at which we can start dosing

Rotation time

Dosing Time



Mechanical action time

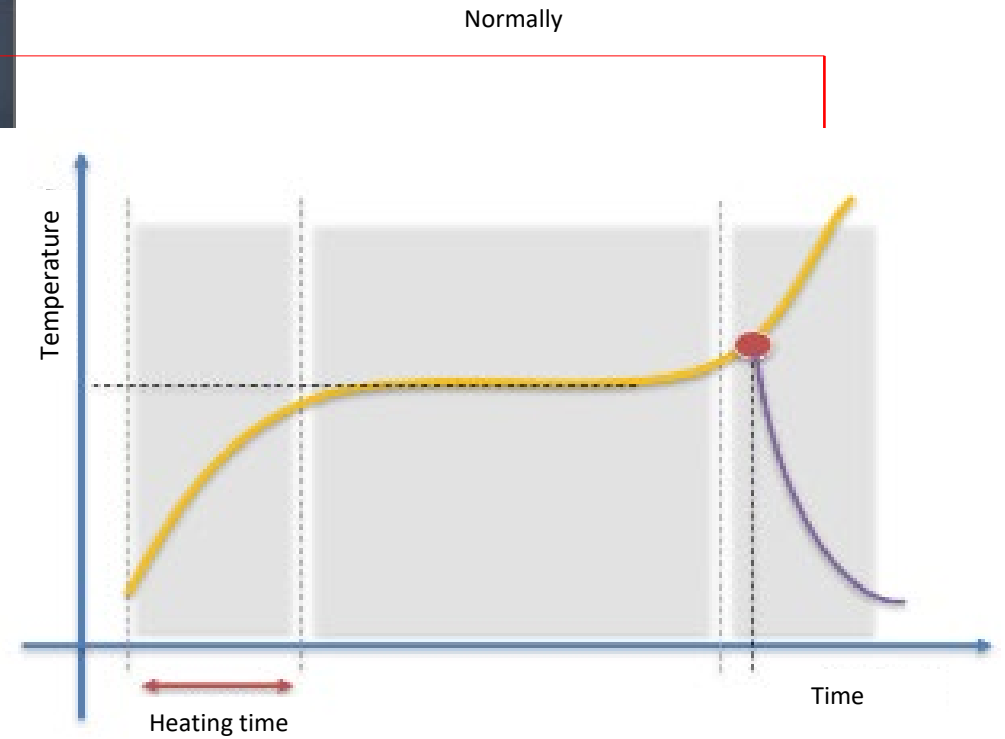
Mechanical action level

2.2. Control when

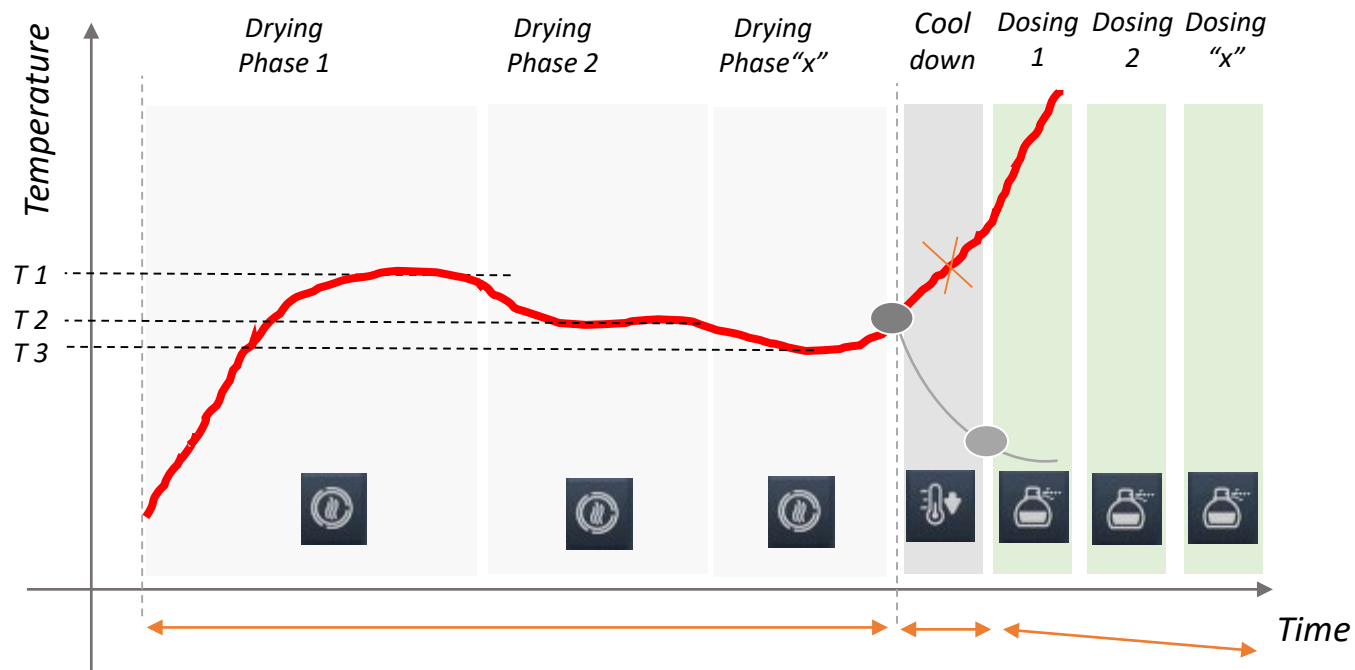


CREATE A NEW PHASE

All the phases you need



Typical drying graph
What can we do in a drying program?



What can we do in a drying program?

The machine already has as standard programs and phases designed to be used.

Factory defect program:

N°	Program name
3	Armario Alg 75°C+D
5	Seco Alg 75°C +D
14	Armario Sint 65°C +D
16	Seco Sint 65°C+D
25	Armario Delic. 45°C+D
27	Seco Delic 45°C+D
35	Airear 25°C+D

Factory default phases:

Phase name	Temperature obj. Dosing °C	Dosing parameters				Rotation speed
		Dosing time (s)	Dosing agitation time (s)	Turn reversal time (s)		
Dosing rápida	50	3	60	30/30	Nivel 3	
Dosing normal	40	6	120	60/30	Nivel 3	
Dosing extra	40	9	180	90/30	Nivel 3	

2.3. Items

- Towels
- Napkins
- Sheets
- Pillows
- Bathrobes
- Tablecloths
- Personal clothing



2.4. Sectors

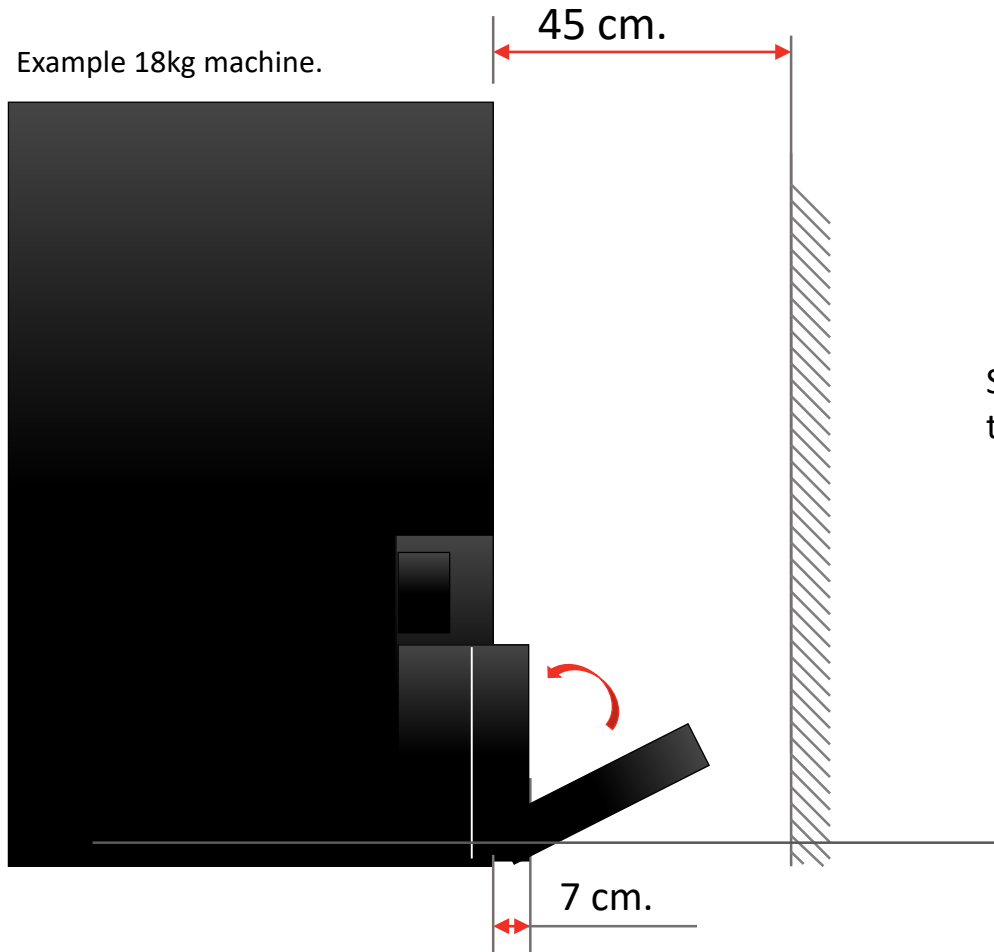
- Hotel
- Spa
- Geriatric
- Supermarkets
- Cleaners
- Gym



2.5. Dosing de las secadoras



Example 18kg machine.



Space needed up to the wall to change the perfume.

Can all machines include the dosing system?

Yes, all Touch Plus Control (TP2) dryers.
Dryers of the Advance Plus or Advance ranges.

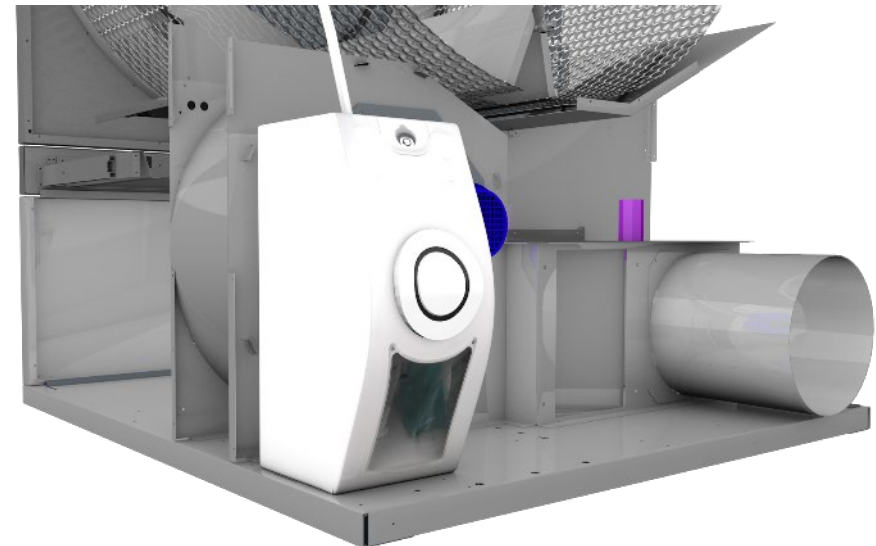
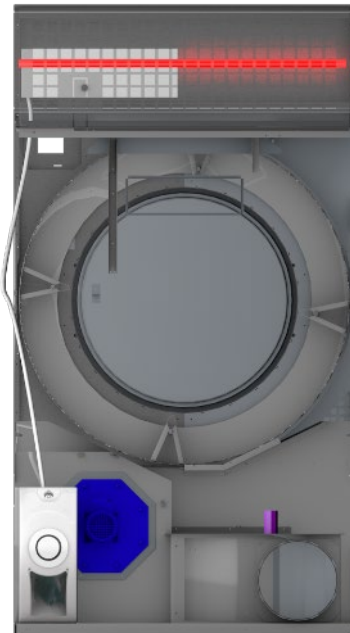
ADVANCE +

ADVANCE



We have a kit available:

Dosing nozzle set, Pump and cabinet with instructions per model to make the assembly to any Advance Plus or Advance Dryer.

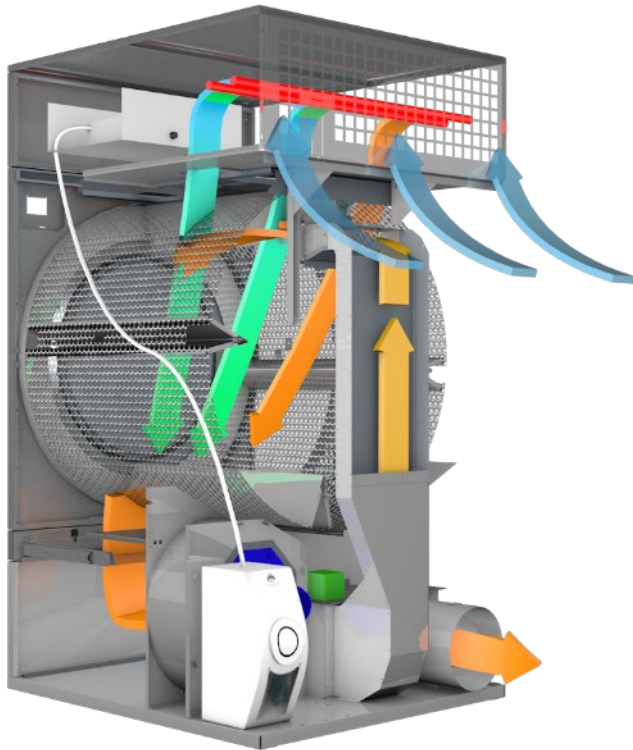


We have a kit available, see price in spare parts pricelist.

Purchase codes:

Reference	Description
12265313	ONNDRY 1 GARRAFA 4L (3 UN= 12 LITROS)
12265314	ONNDRY 1 BOLSA 1,5L (2 UN= 3 LITROS)
12265315	ONNDRY 2 GARRAFA 4L (3 UN= 12 LITROS)
12265316	ONNDRY 2 BOLSA 1,5L (2 UN= 3 LITROS)
12265317	ONNDRY 3 GARRAFA 4L (3 UN= 12 LITROS)
12265320	ONNDRY 3 BOLSA 1,5L (2 UN= 3 LITROS)

Technically 3 parts:



1. Dosing **nozzle**



2. -Drive pump



3. -Perfume cabinet



Conjunto Dosificador:



Pressure group set



Nebulizing nozzle



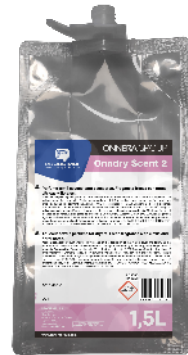
Cabinet with perfume tank with anti-return system

Spare parts

Spare parts and perfume purchase possibilities:



1



1.5 litre bags.
Easy to swap on the slot holder.

Buy 2 bags of 1.5 liters
inside cardboard box.
Total 3 litres

2



Buy 3 4 litre bottles in
cardboard box.
Total 12 litres

4-liter bottle.

Spare parts

- Available Perfumes:

They will always be products diluted in "water base".

ONNERA GROUP
PROQUIMIA
Onndry Scent 1

Perfume textil acuoso para secadoras. Fragancia floral con notas frutales.

Modo de empleo: Aplicar producto puro mediante el kit dosificación de la secadora y siguiendo las indicaciones del manual. Dosis recomendada: 1,0-2,0 ml/kg ropa seca, según nivel de intensidad.

Composición: Contiene: 1-(1,2,3,4,5,6,7,8-octahidro-2,3,8-tetrametil-2-naftiliden)-1-one, 2-(4-terc-butylfenil) propionaldehído, Linalol extra, Acetato de 4-terc-butilciclohexil, α-hexilcinnamaldehído, Cinamaldehído, Isoeugenol, Salicilato de bencilo. Puede provocar una reacción alérgica.

Indicaciones de peligro: Nocivo para los organismos acuáticos, con efectos nocivos duraderos. **Consejos de prudencia:** Mantener fuera del alcance de los niños. Evitar su liberación al medio ambiente. Eliminar el contenido y recipiente de acuerdo con la normativa sobre residuos peligrosos o envases y residuos de envases respectivamente. No ingerir. EN CASO DE ACCIDENTE CONSULTAR AL SERVICIO MEDICO DE INFORMACION TOXICOLOGICA. Tel: +34-91 562 0420.

Aqueous textile perfume for dryers. Floral fragrance with fruity notes.

Application: Apply product undiluted by means of the dosing kit of the tumble dryer and following the instructions in the user's manual. Recommended dosage: 1.0-2.0 ml/kg dry laundry, according to level of intensity.

Composition: Contains 1-(1,2,3,4,5,6,7,8-octahydro-2,3,8-tetramethyl-2-naphthalen-1-one, 2-(4-tert-butylphenyl) propionaldehyde, Linalol extra, 4-tert-butylcyclohexyl acetate, α-hexylcinnamaldehyde, benzyl salicylate, isoeugenol. May cause allergic reactions. **Hazard statements:** Harmful to aquatic life with long lasting effects. **Precautionary statements:** Keep out of reach of children. Contaminated work clothing should not be allowed out of the workplace. Dispose of the contents/containers in accordance with the legislation on hazardous waste treatment or packaging and packaging waste treatment respectively. Do not swallow. IN CASE OF ACCIDENT SEEK MEDICAL ADVICE IMMEDIATELY OR CALL A POISON INFORMATION CENTRE.

Art. 00000000

LOT-

PROQUIMIA, S.A.
Avenida
C/ de Toledo 5
30200 Villanueva de la Serena (Badajoz)
T: +34 91 562 0420
www.proquimia.com

1,5L y 4l.

www.onneragroup.com

ONNDRY SCENT 1

Description:

Watery textile perfume for dryers.
Floral fragrance with fruity notes.

ONNERA GROUP
PROQUIMIA
Onndry Scent 2

Perfume textil acuoso para secadoras. Fragancia fresca con notas cítricas y florales.

Modo de empleo: Aplicar producto puro mediante el kit dosificación de la secadora y siguiendo las indicaciones del manual. Dosis recomendada: 1,0-2,0 ml/kg ropa seca, según nivel de intensidad.

Composición: Contiene: Mentol, Eucalipto, Citronela, Limón, Naranja, Mandarina, Bergamota, Cardamomo, Clavo, Jengibre, Anís, Fenojón, Canela, Cúrcuma, Aceite esencial de naranja, Aceite esencial de mandarina, Aceite esencial de bergamota, Aceite esencial de cardamomo, Aceite esencial de clavo, Aceite esencial de jengibre, Aceite esencial de anís, Aceite esencial de fenolón, Aceite esencial de canela, Aceite esencial de cúrcuma.

Indicaciones de peligro: Irritante para los ojos. **Consejos de prudencia:** Evitar el contacto con los ojos. En caso de contacto lavar con abundante agua.

Aqueous textile perfume for dryers. Fresh fragrance with citrus and floral notes.

Application: Apply product undiluted by means of the dosing kit of the tumble dryer and following the instructions in the user's manual. Recommended dosage: 1.0-2.0 ml/kg dry laundry, according to level of intensity.

Composition: Contains Menthol, Eucalyptol, Citronellol, Limonene, Orange, Mandarin, Bergamot, Cardamom, Clove, Ginger, Anise, Fenugreek, Turmeric, Essential oil of orange, Essential oil of mandarin, Essential oil of bergamot, Essential oil of cardamom, Essential oil of clove, Essential oil of ginger, Essential oil of anise, Essential oil of fennel, Essential oil of cumin, Essential oil of turmeric.

Hazard statements: Irritant to eyes. **Precautionary statements:** Avoid contact with eyes. In case of contact, rinse thoroughly with plenty of water.

Art. 1022931

LOT-

PROQUIMIA, S.A.
Avenida
C/ de Toledo 5
30200 Villanueva de la Serena (Badajoz)
T: +34 91 562 0420
www.proquimia.com

1,5L y 4l.

www.onneragroup.com

ONNDRY SCENT 2

Description:

Watery textile perfume for dryers.
Fresh fragrance with citrus and floral notes.

ONNERA GROUP
PROQUIMIA
Onndry Scent 3

Perfume textil acuoso para secadoras. Fragancia floral con notas especiadas.

Modo de empleo: Aplicar producto puro mediante el kit dosificación de la secadora y siguiendo las indicaciones del manual. Dosis recomendada: 1,0-2,0 ml/kg ropa seca, según nivel de intensidad.

Composición: Contiene: 2-(4-terc-butylfenil) propionaldehído, Linalol extra, α-hexilcinnamaldehído, Cinamaldehído, Isoeugenol, Salicilato de bencilo, Aceite esencial de naranja, Aceite esencial de mandarina, Aceite esencial de bergamota, Aceite esencial de cardamomo, Aceite esencial de clavo, Aceite esencial de jengibre, Aceite esencial de anís, Aceite esencial de fenolón, Aceite esencial de canela, Aceite esencial de cúrcuma.

Indicaciones de peligro: Irritante para los ojos. **Consejos de prudencia:** Evitar el contacto con los ojos. En caso de contacto lavar con abundante agua.

Aqueous textile perfume for dryers. Floral fragrance with spicy notes.

Application: Apply product undiluted by means of the dosing kit of the tumble dryer and following the instructions in the user's manual. Recommended dosage: 1.0-2.0 ml/kg dry laundry, according to level of intensity.

Composition: Contains 2-(4-tert-butylphenyl) propionaldehyde, Linalol extra, α-hexylcinnamaldehyde, cinnamaldehyde, isoeugenol, benzyl salicylate, essential oil of orange, essential oil of mandarin, essential oil of bergamot, essential oil of cardamom, essential oil of clove, essential oil of ginger, essential oil of anise, essential oil of fennel, essential oil of cumin, essential oil of turmeric.

Hazard statements: Irritant to eyes. **Precautionary statements:** Avoid contact with eyes. In case of contact, rinse thoroughly with plenty of water.

Art. 1022201

LOT-

PROQUIMIA, S.A.
Avenida
C/ de Toledo 5
30200 Villanueva de la Serena (Badajoz)
T: +34 91 562 0420
www.proquimia.com

1,5L y 4l.

www.onneragroup.com

ONNDRY SCENT 3

Description:

Watery textile perfume for dryers.
Floral fragrance with spicy notes.

Spare parts

For each of them we have:

Available perfumes:



The "Technical Sheet".



The "Safety Sheet" to deliver to Customers.



They are 11 pages

What kind of product do we need to dispense?

Water-based products.

Which temperature is optimal for Dosing with more efficiency?

It is advised below 45 °C.

How much liquid do we think we need to spray each time?

It depends on the concentration of perfume in the solution and the amount of smell that we want to stay in the clothes. Playing with the number of Dosing phases and the fully programmable Dosing time will achieve the desired result. The amount of product we have to dose affects the number of total cycles we can make for each perfume cartridge. In our product tests, we perform a minimum of 80 cycles per liter of product with a very high degree of odor.

How many times will we have to dose to be an effective Dosing?

As we discussed in the previous point, it depends. But if it is true that doing a Dosing phase at the end of the cycle, it makes when the door is opened the smell comes out and the customer has a total perception.

A young woman with dark hair tied back, wearing a light blue button-down shirt, is shown in profile. She has her eyes closed and a slight smile, holding a white cloth to her face as if smelling it. The background is a soft, out-of-focus window with natural light. The text "Awaken your senses!" is overlaid in white, bold font across the center of the image.

Awaken your senses!



Laundry

ONNERA GROUP



Santxolopetegi auzoa, 22
20560 Oñati, Gipuzkoa (España)

T. (+34) 943 71 80 30
info@fagorindustrial.com

www.fagorindustrial.com