



PROFESSIONAL LAUNDRY

PROFESSIONAL DRYERS CONCEPT / ECONOMIC LINE SRP-08/10 M / SCP-10 M



CHARACTERISTICS

OUTSTANDING FEATURES

- M PROGRAMMER: selection of time and temperature, user friendly and versatile (OPL or coin laundry version)
- Reduced drying times (less than 45 minutes)
- 6,75 kw heating, option 4,5 kW (4,5 kW in SCP)

VERSATILITY

- OPL <> COIN
Standard models can be programmed as OPL or coin laundry version, central pay, etc.
- SINGLE <> STACKED
Models can be stacked on top of a washer or on another dryer. Control panels can be assembled between both drums for better ergonomics.(Except SCP Model)
- Ideal for multiple solutions: hotels, hostels, campings, coin laundries, facility services (mops), gyms, etc.

EFFICIENCY

- Optimised airflow
- Wide fluff filter as drawer
- Efficient design

ROBUSTNESS

- Outer casing in grey skinplate (White lacquered in SCP model)
- Robust aluminium big door
- Drawer as fluff filter (not in the door but as an specific drawer)
- Industrial fan and powerful airflow
- Sturdy construction of the dryer structure and panels

OTHERS

- Galvanized drum
- FULL SCREEN FILTER: drawer fluff filter, not in the door.
- New gas heated models.
- CE approved product

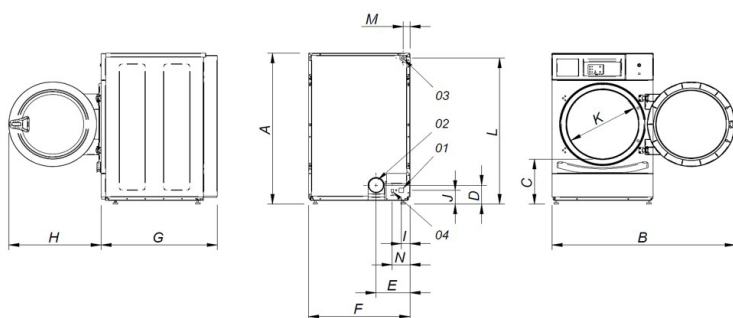
OPTIONS

- Stainless steel outer casing (Except SCP Model)
- AISI 304 stainless steel drum (Except SCP Model)
- Reverse door opening
- Control panel in the bottom (stacked dryer)
- Plinth for better ergonomics
- Complete container order + compact packing
- Maritime voltage 440V III 50/60 Hz No neutral
- Coin/token kit

TECHNICAL DATA

PROFESSIONAL DRYERS | CONCEPT / ECONOMIC LINE | SRP-08/10 M / SCP-10 M

	U.	SRP-08 M	SRP-10M / SCP -10 M		
CAPACITY & DRUM					
Capacity 1:20	Kg	8	10		
	Lb	17,6	22		
Volume	l	160	200		
	ft	5,65	7,06		
Drum diameter Ø	mm	590	590		
	inch	23,23	23,23		
Drum depth	mm	585	690		
	inch	23,03	27,17		
DOOR					
Height center door	mm	554	554		
	inch	21,81	21,81		
Height base door	mm	320	320		
	inch	12,6	12,6		
Door diameter	mm	480	480		
	inch	18,9	18,9		
GENERAL DETAILS					
M control	-	Yes	Yes		
USB connection	-	No	No		
Construction	-	Skinplate	Skinplate / White lacquered		
Plinth	-	Opt	Opt / No		
Coin laundry version	-	Yes	Yes		
Noise level	dB	62	62		
POWER					
Motor	kW	0,37	0,37		
Electric heating	kW	6,75 / 4,5	6,75 / 4,5 // (SCP -10 4,5)		
Gas heating	kW	6,7	6,7		
CONNECTIONS					
Tension 230V I+N+T 50Hz / 60Hz	N° x mm ² /A	ELECTRIC 3 x 10 / 40A	GAS/STEAM 3 x 1,5 / 10A	ELECTRIC 3 x 10 / 40A	GAS/STEAM 3 x 1,5 / 10A
Tension 230V III+T 50Hz / 60Hz	N° x mm ² /A	4 x 4 / 25A	3 x 1,5 / 10A	4 x 4 / 25A	3 x 1,5 / 10A
Tension 400V III+N+T 50Hz / 60 Hz	N° x mm ² /A	5 x 2,5 / 16A	3 x 1,5 / 10A	5 x 2,5 / 16A	3 x 1,5 / 10A
Fume exhaust Ø	mm	100		100	
Maximum airflow	m ³ /hour	300		300	
CONSUMPTIONS					
Electric heating	kW	6,75 / 4,5		6,75 / 4,5 // (SCP -10 4,5)	
Instantaneous propane gas consumption	Kg/h	0,57		0,57	
Instantaneous natural gas consumption	m ³ /h	0,71		0,71	
DIMENSIONS / PACKING DIMENSIONS					
Net width / Gross width	mm	680 / 710		680 / 710	
	inch	26,77 / 27,95		26,77 / 27,95	
Net depth / Gross depth	mm	722 / 832		775 / 832	
	inch	28,43 / 32,76		30,51 / 32,76	
Net height / Gross height	mm	1.056 / 1.141		1.056 / 1.141	
	inch	41,57 / 44,92		41,57 / 44,92	
Net weight / Gross weight	Kg	89 / 100,5		92,6 / 104,1	
	inch	196,21 / 221,56		204,15 / 229,5	



- 01. Electrical connection
- 02. Exhasust outlet Ø100
- 03. Gas inlet 1/2"
- 04. Ethernet connection

	A	B	C	D	E	F	G	H	I	J	K	L	M	N
SRP-08	1.056	1.227	320	140	226	680	722	615	57	91	480	1.015	50	118
SRP/SCP-10	1.056	1.227	320	140	226	680	722	615	57	91	480	1.015	50	118