



WASHING

SANITARY BARRIERS LBS RANGE LBS-27 TP2



Pullman drum option

CHARACTERISTICS

TP2

- 7" touch screen easy to use and fully programmable, double display.
- Connection USB. Free software online for programming, telemetry, data analysis...
- Videos on display (instructions...).
- 37 languages.
- 8 dosing signals as standard.

OUTSTANDING FEATURES

- Automatic positioning of drum with motor brake.
- 3 water inlets as standard.
- Wet cleaning features ready.
- G-FACTOR 375.
- Telemetry as standard.
- Heating: electric, steam, and new dual heating model (electric+steam).

EFFICIENCY

- Intelligent consumption.
- Optimal loading.
- Water Recovery tanks ready: KRS.
- Low water consumption.
- High G-FACTOR: reduced residual moisture > reduced drying time.

CONNECTIVITY

- IoT FagorConnect.
- Remote technical service.
- Laundry management.

ERGONOMICS

- Huge door opening making loading/unloading easier.
- Easy friendly drum opening by push button.
- Loading height: door base 800 mm.
- Pullman drum: load optimisation (option).

MAINTENANCE

- Electric components on the left side, mechanic components on the right side and connections on the top (protected from water and detergents).
- Central drain as standard.

- Technical menu: statistics, alarms, autotest, data recovery for technicians and maintenance.

OTHERS

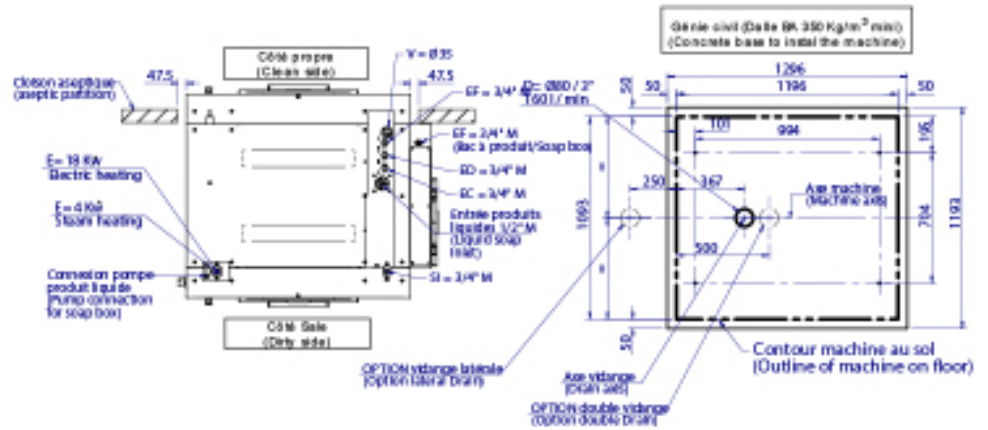
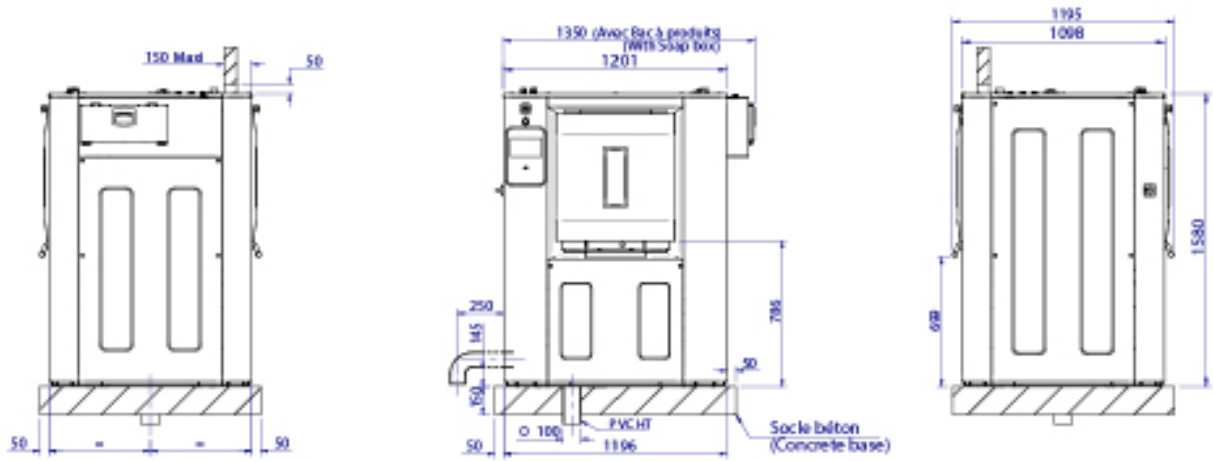
- 2 opposed doors. Pass-through barrier washer.
- Ready to be connected to dosing pumps.
- Grey skinplate outer casing.
- Drum and vat in stainless steel AISI 304.
- Frequency inverter to control imbalance.
- CE approved product.
- Third water inlet.

OPTIONS

- 1-door opening (single side operation).
- Pullman drum.
- Auto Weight: automatic weighing sensor system on feet (Includes kit with 6 extra dosing signals).
- Relay card with 6 extra dosing signals: up to 14 signals.
- Double drain.
- Titration valve.
- Side drain valve.
- Low steam pressure (0,5 bar).
- Detergent box with 4 compartments.
- UPS device (in case of power failure).
- End of cycle light alarm.
- Plinth to align loading height (door base at 850mm).
- Stainless steel AISI 304 outer casing.
- Stainless steel AISI 304 sanitary frame.
- Other voltages.

	UNIT.	LBS-27 TP2	
DRUM			
Capacity 1:9	Kg	30	
	Lb	66,1	
Capacity 1:10	Kg	27	
	Lb	59,5	
Volume	l	266	
	ft ³	9,39	
Diameter	mm	800	
	inch	31,5	
Depth	mm	530	
	inch	20,9	
Number of compartments	Nº.	1	
Pullman partition of drum		Opt	
GENERAL DETAILS			
Washing speed	r.p.m.	45	
Spining speed	r.p.m.	920	
G Factor		375	
Maximum force transmitted	KN	2,02	
Frequency-dynamic force	Hz	15,4	
Sound level	dB	< 70	
Double drain		Opt	
Weighing System		Opt	
DOOR			
Drum opening dimensions	mm	480 x 515	
	inch	18,9 x 20,3	
Vat opening dimensions	mm	542 x 650	
	inch	21.3 x 25.6	
Height base door	mm	800	
	inch	31,5	
POWER			
Motor	kW	4	
Electric heating power	kW	18	
Max. power (Electric model)	kW	22	
Max. power (Steam model)	kW	4	
CONNECTIONS		E/DUAL	STEAM
Tension 230V- I + N + T	Nºxmm2/A	-	-
Tension 230V- III + T	Nºxmm2/A	4 x 16 / 63A	4 x 2,5 / 16A
Tension 400V- III + N + T	Nºxmm2/A	5 x 10 / 40A	5 x 2,5 / 10A
Steam inlet (Steam model)	mm	20/27	
	inch	3/4"	
Maximum steam consumption (Steam)	Kg/h	10,25	
Water inlet	mm	20/27	
	inch	3/4"	
Water main pressure	bar	3 - 5	
	psi	43 - 72	
Maximum water consumption*	Lit/h	210	
Drain	mm	80	
	inch	3"	
Drainage capacity	Lit/min	160	
	cfm	5,65	
DIMENSIONS / PACKING DIMENSIONS			
Net width / Gross width	mm	1.264 / 1.464	
	inch	49,8 / 57,6	
Net depth / Gross depth	mm	1.195 / 1.300	
	inch	47 / 51,2	
Net height / Gross height	mm	1.615 / 1.720	
	inch	63,5 / 67,7	
Net weight / Gross weight	Kg	886 / 906	
	Lb	1.953 / 1.997,4	
Volume	m ³	2,43 / 3,27	
	ft ³	85,81 / 115,6	

* N°2 Program, 100% load



E = Electricity

(*) Se référer à / refer to "user & installation manual " §2.2.6 - p10 (pour détails / for details)

EC/ED/EF = Eau Chaude / Douce / Froide
hot water / soft / cold
3/4" M - 3/5 Bars - 100l/min MAX

SI = Entrée vapeur / Steam Inlet
6 Bars / 240 Kg/h - Max 10 Bars

V= Event / Vent

D = Vidange / Drain

Nota :

- Pour les arrivées d'eau, vapeur et électricité, les machines devront être installées selon les normes en vigueur. (This machine must be installed in compliance with all local regulations)

- Le châssis doit impérativement porter sur toute sa longueur et sur un sol parfaitement plan et de niveau. (The frame must be installed on a perfectly level floor)

- Il est impératif de fixer la machine au sol par les orifices prévus à cet effet. (This machine must be fixed on the floor by threaded rods.)



WASHING

SANITARY BARRIERS LBS RANGE LBS-35 TP2



Pullman drum option

CHARACTERISTICS

TP2

- 7" touch screen easy to use and fully programmable, double display.
- Connection USB. Free software online for programming, telemetry, data analysis...
- Videos on display (instructions...).
- 37 languages.
- 8 dosing signals as standard.

OUTSTANDING FEATURES

- Automatic positioning of drum with motor brake.
- 3 water inlets as standard.
- Wet cleaning features ready.
- G-FACTOR 375.
- Telemetry as standard.
- Heating: electric, steam, and new dual heating model (electric+steam).

EFFICIENCY

- Intelligent consumption.
- Optimal loading.
- Water Recovery tanks ready: KRS.
- Low water consumption.
- High G-FACTOR: reduced residual moisture > reduced drying time.

CONNECTIVITY

- IoT FagorConnect.
- Remote technical service.
- Laundry management.

ERGONOMICS

- Huge door opening making loading/unloading easier.
- Easy friendly drum opening by push button.
- Loading height: door base 800 mm.
- Pullman drum: load optimisation (option).

MAINTENANCE

- Electric components on the left side, mechanic components on the right side and connections on the top (protected from water and detergents).
- Central drain as standard.

- Technical menu: statistics, alarms, autotest, data recovery for technicians and maintenance.

OTHERS

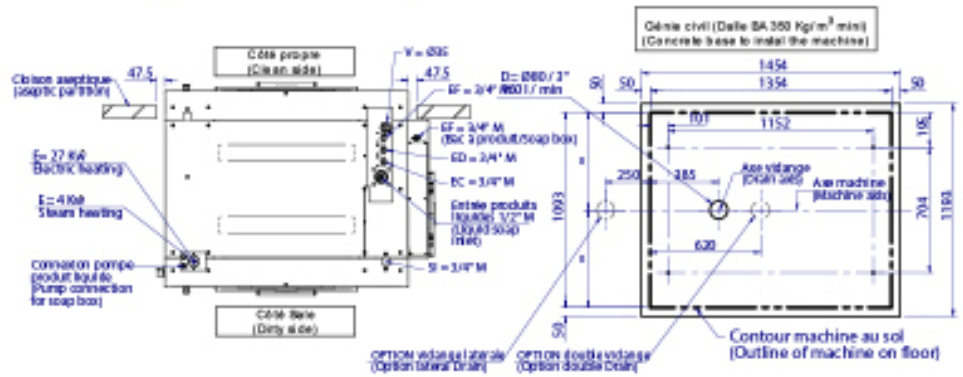
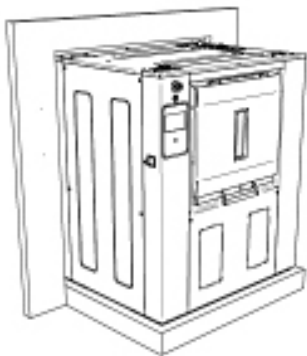
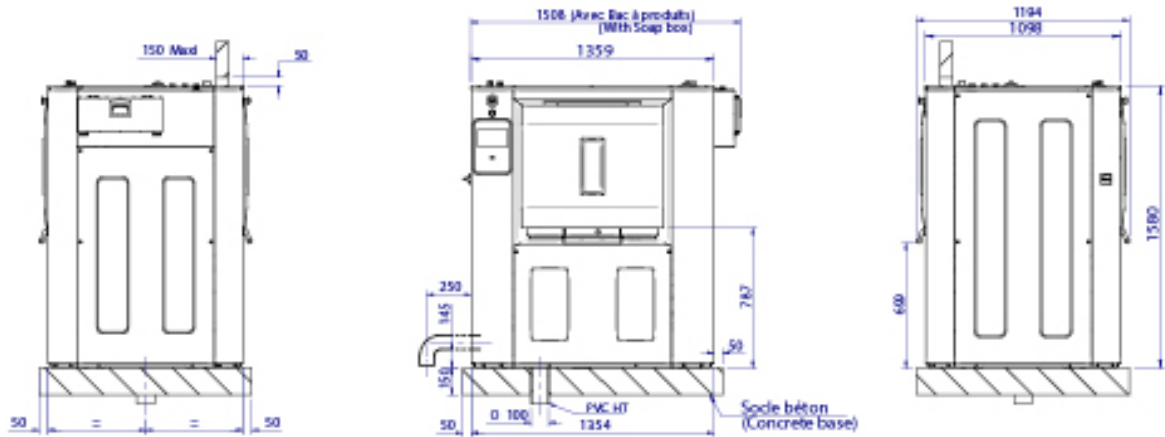
- 2 opposed doors. Pass-through barrier washer.
- Ready to be connected to dosing pumps.
- Grey skinplate outer casing.
- Drum and vat in stainless steel AISI 304.
- Frequency inverter to control imbalance.
- CE approved product.
- Third water inlet.

OPTIONS

- 1-door opening (single side operation).
- Pullman drum.
- Auto Weight: automatic weighing sensor system on feet (Includes kit with 6 extra dosing signals).
- Relay card with 6 extra dosing signals: up to 14 signals.
- Double drain.
- Titration valve.
- Side drain valve.
- Low steam pressure (0,5 bar).
- Detergent box with 4 compartments.
- UPS device (in case of power failure).
- End of cycle light alarm.
- Plinth to align loading height (door base at 850mm).
- Stainless steel AISI 304 outer casing.
- Stainless steel AISI 304 sanitary frame.
- Other voltages.

	UNIT.	LBS-35 TP2	
DRUM			
Capacity 1:9	Kg	38,8	
	Lb	85,5	
Capacity 1:10	Kg	35	
	Lb	77,2	
Volume	l	347	
	ft ³	12,25	
Diameter	mm	800	
	inch	31,5	
Depth	mm	690	
	inch	27,2	
Number of compartments	Nº.	1	
Pullman partition of drum		Opt	
GENERAL DETAILS			
Washing speed	r.p.m.	45	
Spining speed	r.p.m.	920	
G Factor		375	
Maximum force transmitted	KN	2,62	
Frequency-dynamic force	Hz	15,4	
Sound level	dB	< 70	
Double drain		Opt	
Weighing System		Opt	
DOOR			
Drum opening dimensions	mm	640 x 515	
	inch	25.2 x 20.3	
Vat opening dimensions	mm	700 x 650	
	inch	27.5 x 25.6	
Height base door	mm	800	
	inch	31,5	
POWER			
Motor	kW	4	
Electric heating power	kW	27	
Max. power (Electric model)	kW	31	
Max. power (Steam model)	kW	4	
CONNECTIONS		E/DUAL	STEAM
Tension 230V- I + N + T	Nºxmm2/A	-	-
Tension 230V- III + T	Nºxmm2/A	4 x16 / 80A	4 x 2,5 / 16A
Tension 400V- III + N + T	Nºxmm2/A	5 x 10 / 50A	5 x 2,5 / 10A
Steam inlet (Steam model)	mm	20/27	
	inch	3/4"	
Maximum steam consumption (Steam)	Kg/h	16,3	
Water inlet	mm	20/27	
	inch	3/4"	
Water main pressure	bar	3 - 5	
	psi	43 - 72	
Maximum water consumption*	Lit/h	260	
Drain	mm	80	
	inch	3"	
Drainage capacity	Lit/min	160	
	cfm	5,65	
DIMENSIONS / PACKING DIMENSIONS			
Net width / Gross width	mm	1.422 / 1.608	
	inch	56 / 63,3	
Net depth / Gross depth	mm	1.195 / 1.300	
	inch	47 / 51,2	
Net height / Gross height	mm	1.615 / 1.720	
	inch	63,5 / 67,7	
Net weight / Gross weight	Kg	926 / 946	
	Lb	2.041 / 2.085,6	
Volume	m ³	2,74 / 3,60	
	ft ³	96,76 / 127	

* N°2 Program, 100% load



E = Electricity

(*) Se référer à / refer to "user & installation manuel " §2.2.6 - p10 (pour détails / for details)

EC/ED/EF = Eau Chaude / Douce / Froide
hot water / soft / cold
3/4" M - 3/5 Bars - 100l/min MAX

SI = Entrée vapeur / Steam Inlet
6 Bars / 240 Kg/h - Max 10 Bars

V= Event / Vent

D = Vidange / Drain

Nota :

- Pour les arrivées d'eau, vapeur et électricité, les machines devront être installées selon les normes en vigueur. (This machine must be installed in compliance with all local regulations)

- Le châssis doit impérativement porter sur toute sa longueur et sur un sol parfaitement plan et de niveau. (The frame must be installed on a perfectly level floor)

- Il est impératif de fixer la machine au sol par les orifices prévus à cet effet. (This machine must be fixed on the floor by threaded rods.)



WASHING

SANITARY BARRIERS LBS RANGE LBS-50 TP2



Pullman drum option

CHARACTERISTICS

TP2

- 7" touch screen easy to use and fully programmable, double display.
- Connection USB. Free software online for programming, telemetry, data analysis...
- Videos on display (instructions...).
- 37 languages.
- 8 dosing signals as standard.

OUTSTANDING FEATURES

- Automatic positioning of drum with motor brake.
- 3 water inlets as standard.
- Wet cleaning features ready.
- G-FACTOR 375.
- Telemetry as standard.
- Heating: electric, steam, and new dual heating model (electric+steam).

EFFICIENCY

- Intelligent consumption.
- Optimal loading.
- Water Recovery tanks ready: KRS.
- Low water consumption.
- High G-FACTOR: reduced residual moisture > reduced drying time.

CONNECTIVITY

- IoT FagorConnect.
- Remote technical service.
- Laundry management.

ERGONOMICS

- Huge door opening making loading/unloading easier.
- Easy friendly drum opening by push button.
- Loading height: door base 800 mm.
- Pullman drum: load optimisation (option).

MAINTENANCE

- Electric components on the left side, mechanic components on the right side and connections on the top (protected from water and detergents).
- Central drain as standard.

- Technical menu: statistics, alarms, autotest, data recovery for technicians and maintenance.

OTHERS

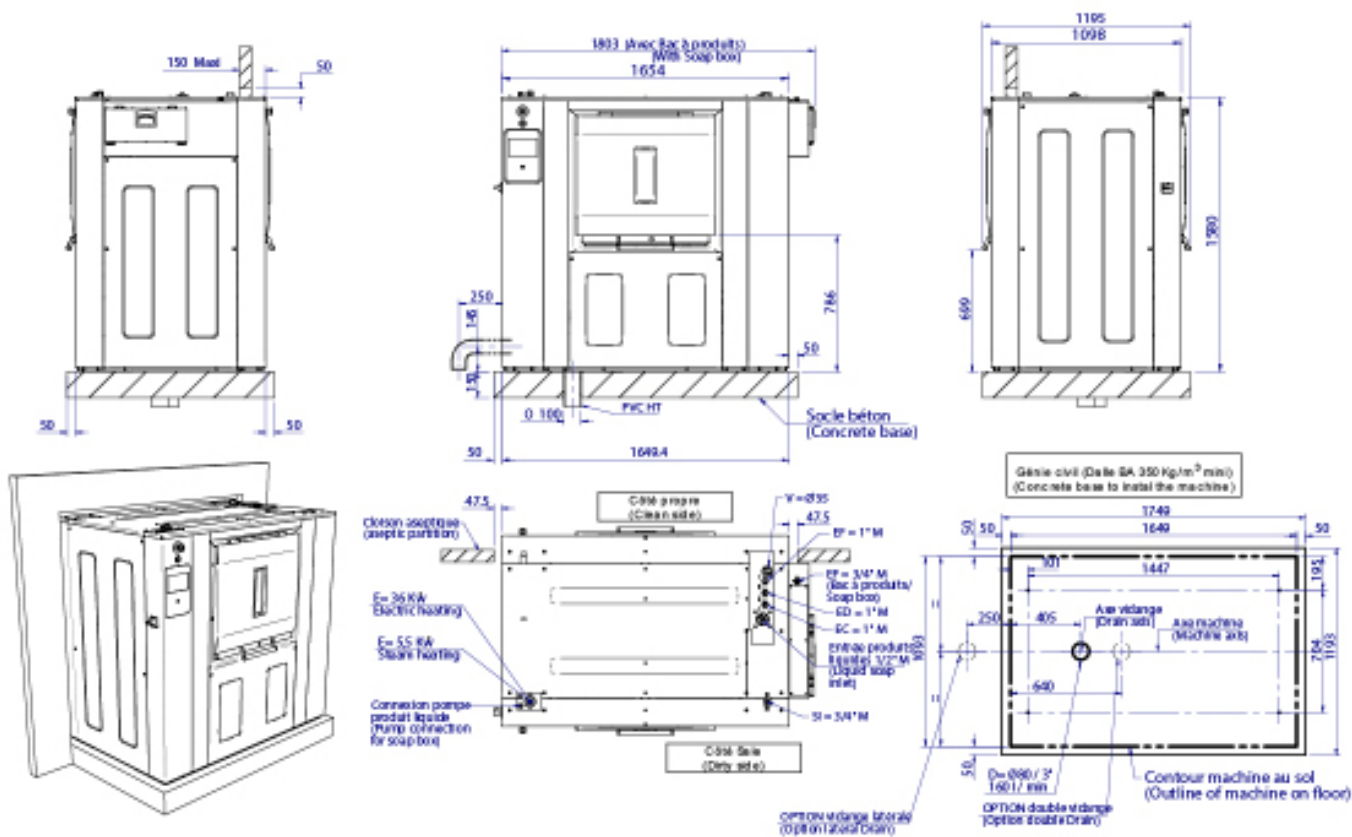
- 2 opposed doors. Pass-through barrier washer.
- Ready to be connected to dosing pumps.
- Grey skinplate outer casing.
- Drum and vat in stainless steel AISI 304.
- Frequency inverter to control imbalance.
- CE approved product.
- Third water inlet.

OPTIONS

- 1-door opening (single side operation).
- Pullman drum.
- Auto Weight: automatic weighing sensor system on feet (Includes kit with 6 extra dosing signals).
- Relay card with 6 extra dosing signals: up to 14 signals.
- Double drain.
- Titration valve.
- Side drain valve.
- Low steam pressure (0,5 bar).
- Detergent box with 4 compartments.
- UPS device (in case of power failure).
- End of cycle light alarm.
- Plinth to align loading height (door base at 850mm).
- Stainless steel AISI 304 outer casing.
- Stainless steel AISI 304 sanitary frame.
- Other voltages.

	UNIT.	LBS-50 TP2	
DRUM			
Capacity 1:9	Kg	54,3	
	Lb	119,8	
Capacity 1:10	Kg	49	
	Lb	108	
Volume	l	489	
	ft ³	17,27	
Diameter	mm	800	
	inch	31,5	
Depth	mm	974	
	inch	38,3	
Number of compartments	Nº.	1	
Pullman partition of drum		Opt	
GENERAL DETAILS			
Washing speed	r.p.m.	45	
Spining speed	r.p.m.	920	
G Factor		375	
Maximum force transmitted	KN	3,74	
Frequency-dynamic force	Hz	15,4	
Sound level	dB	< 70	
Double drain		Opt	
Weighing System		Opt	
DOOR			
Drum opening dimensions	mm	640 x 515	
	inch	25.2 x 20.3	
Vat opening dimensions	mm	700 x 650	
	inch	27.5 x 25.6	
Height base door	mm	800	
	inch	31,5	
POWER			
Motor	kW	5,5	
Electric heating power	kW	36	
Max. power (Electric model)	kW	41,5	
Max. power (Steam model)	kW	5,5	
CONNECTIONS		E/DUAL	STEAM
Tension 230V- I + N + T	Nºxmm2/A	-	-
Tension 230V- III + T	Nºxmm2/A	4 x 25 / 125A	4 x 2,5 / 16A
Tension 400V- III + N + T	Nºxmm2/A	5 x 16 / 63A	5 x 2,5 / 10A
Steam inlet (Steam model)	mm	20/27	
	inch	3/4"	
Maximum steam consumption (Steam)	Kg/h	23,3	
Water inlet	mm	26/34	
	inch	1"	
Water main pressure	bar	3 - 5	
	psi	43 - 72	
Maximum water consumption*	Lit/h	450	
Drain	mm	80	
	inch	3"	
Drainage capacity	Lit/min	160	
	cfm	5,65	
DIMENSIONS / PACKING DIMENSIONS			
Net width / Gross width	mm	1.717 / 1.903	
	inch	67,6 / 74,9	
Net depth / Gross depth	mm	1.195 / 1.300	
	inch	47 / 51,2	
Net height / Gross height	mm	1.615 / 1.720	
	inch	63,5 / 67,7	
Net weight / Gross weight	Kg	1.063 / 1.085	
	Lb	2.344 / 2.392	
Volume	m ³	3,31 / 4,26	
	ft ³	116,89 / 150,3	

* N°2 Program, 100% load



E = Electricity

(*) Se référer à / refer to "user & installation manuel " §2.2.6 - p10 (pour détails / for details)

EC/ED/EF = Eau Chaude / Douce / Froide
 hot water / soft / cold
 1" M - 3/5 Bars - 130l/min MAX
 3/4" M - 3/5 Bars - 100l/min MAX

SI = Entrée vapeur / Steam Inlet
 6 Bars / 240 Kg/h - Max 10 Bars

V= Event / Vent

D = Vidange / Drain

Nota :

- Pour les arrivées d'eau, vapeur et électricité, les machines devront être installées selon les normes en vigueur. (This machine must be installed in compliance with all local regulations)

- Le chassis doit impérativement porter sur toute sa longueur et sur un sol parfaitement plan et de niveau. (The frame must be installed on a perfectly level floor)

- Il est impératif de fixer la machine au sol par les orifices prévus à cet effet. (This machine must be fixed on the floor by threaded rods.)



WASHING

SANITARY BARRIERS LBS RANGE LBS-70 TP2



CHARACTERISTICS

TP2

- 7" touch screen easy to use and fully programmable, double display.
- Connection USB. Free software online for programming, telemetry, data analysis...
- Videos on display (instructions...).
- 37 languages.
- 8 dosing signals as standard.
- Technical menu: statistics, alarms, autotest, data recovery for technicians and maintenance.

OUTSTANDING FEATURES

- Automatic positioning of drum with motor brake.
- 3 water inlets as standard.
- Wet cleaning features ready.
- G-FACTOR 375.
- Telemetry as standard.
- Heating: electric, steam, and new dual heating model (electric+steam).

EFFICIENCY

- Intelligent consumption.
- Optimal loading.
- Water Recovery tanks ready: KRS .
- Low water consumption.
- High G-FACTOR: reduced residual moisture > reduced drying time.

CONNECTIVITY

- IoT FagorKconnect.
- Remote technical service.
- Laundry management.

ERGONOMICS

- Huge door opening making loading/unloading easier.
- Easy friendly drum opening by push button.
- Height of loading (door bottom): 800 mm.

MAINTENANCE

- Electric components on the left side, mechanic components on the right side and connections on the top (protected from water and detergents).
- Central drain as standard.

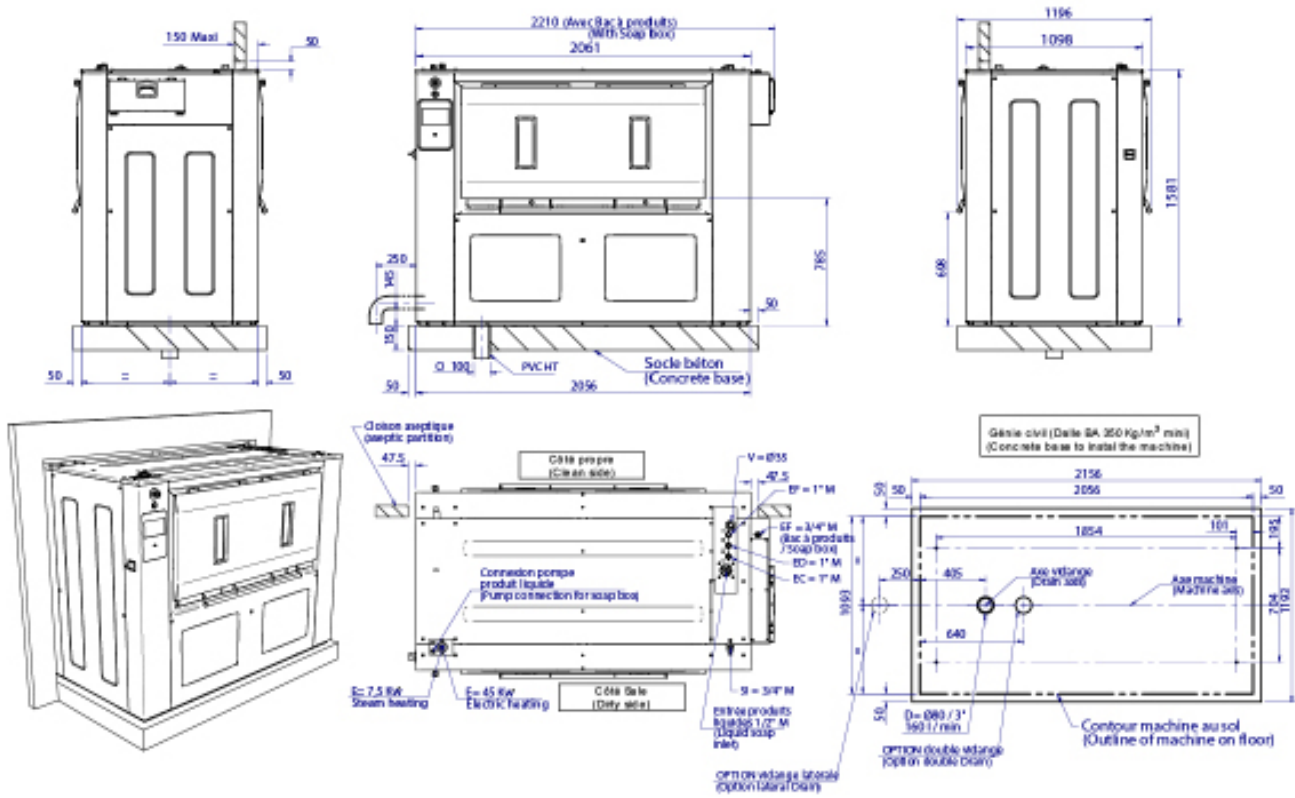
OTHERS

- 2 opposed doors. Pass-through barrier washer.
- Ready to be connected to dosing pumps.
- Grey skinplate outer casing.
- Drum and vat in stainless steel AISI 304.
- Frequency inverter to control imbalance.
- CE approved product.
- Third water inlet.

OPTIONS

- 1-door opening (single side operation).
- Auto Weight: automatic weighing sensor system on feet (Includes kit with 6 extra dosing signals).
- Relay card with 6 extra dosing signals: up to 14 signals.
- Double drain.
- Titration valve.
- Side drain valve.
- Low steam pressure (0,5 bar).
- Detergent box with 4 compartments.
- UPS device (in case of power failure).
- End of cycle light alarm.
- Plinth to align loading height (door base at 850mm).
- Stainless steel AISI 304 outer casing.
- Stainless steel AISI 304 sanitary frame.
- Other voltages.

	UNIT.	LBS-70	
DRUM			
Capacity 1:9	Kg	77,7	
	Lb	171,3	
Capacity 1:10	Kg	70	
	Lb	154,3	
Volume	l	694	
	ft ³	24,51	
Diameter	mm	800	
	inch	31,5	
Depth	mm	1.380	
	inch	54,3	
Number of compartments	Nº.	2	
Pullman partition of drum		N/A	
GENERAL DETAILS			
Washing speed	r.p.m.	45	
Spining speed	r.p.m.	920	
G Factor		375	
Maximum force transmitted	KN	5,24	
Frequency-dynamic force	Hz	15,4	
Sound level	dB	< 70	
Double drain		Opt	
Weighing System		Opt	
DOOR			
Drum opening dimensions	mm	640 x 515 (x2)	
	inch	25.2 x 20.3 (x2)	
Vat opening dimensions	mm	1.402 x 650	
	inch	55.2 x 25.6	
Height base door	mm	800	
	inch	31,5	
POWER			
Motor	kW	7,5	
Electric heating power	kW	45	
Max. power (Electric model)	kW	52,5	
Max. power (Steam model)	kW	7,5	
CONNECTIONS			
Tension 230V- I + N + T	Nº x mm2/A	ELECTRIC	STEAM
		-	-
Tension 230V- III + T	Nº x mm2/A	4 x 35 / 160A	4 x 2,5 / 16A
Tension 400V- III + N + T	Nº x mm2/A	5 x 16 / 80A	5 x 2,5 / 10A
Steam inlet (Steam)	mm	20/27	
	inch	3/4"	
Maximum steam consumption (Steam)	Kg/h	34,2	
Water inlet	mm	26/34	
	inch	1"	
Water main pressure	bar	3 - 5	
	psi	43 - 72	
Maximum water consumption*	Lit/h	720	
Drain	mm	80	
	inch	3"	
Drainage capacity	Lit/min	160	
	cfm	5,65	
DIMENSIONS / PACKING DIMENSIONS			
Net width / Gross width	mm	2.124 / 2.310	
	inch	83,6 / 90,9	
Net depth / Gross depth	mm	1.195 / 1.300	
	inch	47 / 51,2	
Net height / Gross height	mm	1.615 / 1.720	
	inch	63,5 / 67,7	
Net weight / Gross weight	Kg	1.190 / 1.220	
	Lb	2.624 / 2.689,6	
Volume	m ³	4,10 / 5,17	
	f ³	144,79 / 182,4	



E = Electricity

(*) Se référer à / refer to "user & installation manuel " §2.2.6 - p10 (pour détails / for details)

EC/ED/EF = Eau Chaude / Douce / Froide
 hot water / soft / cold
 1" M - 3/5 Bars - 130l/min MAX
 3/4" M - 3/5 Bars - 100l/min MAX

SI = Entrée vapeur / Steam Inlet
 6 Bars / 240 Kg/h - Max 10 Bars

V= Event / Vent

D = Vidange / Drain

Nota :

- Pour les arrivées d'eau, vapeur et électricité, les machines devront être installées selon les normes en vigueur. (This machine must be installed in compliance with all local regulations)
- Le chassis doit impérativement porter sur toute sa longueur et sur un sol parfaitement plan et de niveau. (The frame must be installed on a perfectly level floor)
- Il est impératif de fixer la machine au sol par les orifices prévus à cet effet. (This machine must be fixed on the floor by threaded rods.)