



# WASHING

## SANITARY BARRIERS LMED RANGE LMED-16/22 TP2

### CHARACTERISTICS

#### TP2

- 7" touch screen easy to use and fully programmable, display on dirty side.
- Connection USB. Free software online for programming, telemetry, data analysis...
- Videos on display (instructions...)
- 37 languages.
- 8 dosing signals as standard.

#### OUTSTANDING FEATURES

- Automatic positioning of drum.
- 2 water inlets.
- Wet cleaning features ready.
- G-FACTOR 350.
- Telemetry as standard.
- Heating: electric, steam, and dual heating model (electric+steam).

#### EFFICIENCY

- Intelligent consumption.
- Optimal loading.
- Water Recovery tanks ready: KRS
- Low water consumption.
- High G-FACTOR: reduced residual moisture > reduced drying time.

#### CONNECTIVITY

- IoT FagorKonnnect.
- Remote technical service.
- Laundry management.

#### ERGONOMICS

- Huge door opening making loading/unloading easier.
- Easy friendly drum opening by push button.
- Loading height: door base 670 mm.

#### MAINTENANCE

- Electric components on the left side, mechanical components on the right side and connections on the top (protected from water and detergents).
- Central drain as standard.

- Technical menu: statistics, alarms, autotest, data recovery for technicians and maintenance.

#### OTHERS

- 2 opposed doors. Pass-through barrier washer.
- Ready to be connected to dosing pumps.
- Grey skinplate outer casing.
- Drum and vat in stainless steel AISI 304.
- Frequency inverter to control imbalance.
- Electric, steam or dual heating.
- CE approved product.

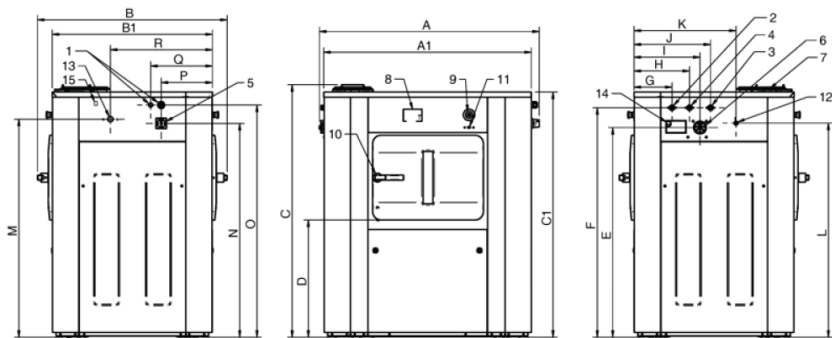
#### OPTIONS

- 1-door opening (single side operation).
- 7" second screen on clean side.
- Auto Weight: automatic weighing sensor system on feet (Includes kit with 6 extra dosing signals).
- Relay card with 6 extra dosing signals: up to 14 signals.
- Printer.
- Third water inlet.
- Double drain.
- Titration valve.
- Side drain valve.
- Low steam pressure (0,5 bar).
- Detergent box with 4 compartments.
- Electric drum motor brake.
- UPS Option (in case of power failure).
- End of cycle light alarm.
- Plinth to align loading height (door base at 850mm).
- Stainless steel AISI 304 outer casing.
- Stainless steel AISI 304 sanitary frame.
- Other voltages.



	UNIT.	LMED-16 TP2	LMED-22 TP2		
<b>DRUM</b>					
Capacity 1:9	Kg	18	24,5		
	Lb	39,7	54		
Capacity 1:10	Kg	16	22		
	Lb	35,3	48,5		
Volume	l	158	220		
	ft <sup>3</sup>	5,58	7,77		
Diameter	mm	633	633		
	inch	24,9	24,9		
Depth	mm	500	700		
	inch	19,7	27,6		
Number of compartments	Nº.	1	1		
Pullman petition of drum		N/A	N/A		
<b>GENERAL DETAILS</b>					
Washing speed	r.p.m.	45	45		
Spining speed	r.p.m.	1.000	1.000		
G Factor		350	350		
Maximum force transmitted	KN	5,5 ±1,12	6,25 ±1,54		
Frequency-dynamic force	Hz	15,4	15,4		
Sound level	dB	<70	< 70		
Double drain		Opt	Opt		
Weighing System		Opt	Opt		
<b>DOOR</b>					
Drum opening dimensions	mm	400x315	400x315		
	inch	15,7x12,4	15,7x12,4		
Vat opening dimensions	mm	455x415	455x415		
	inch	17,9x16,3	17,9x16,3		
Height base door	mm	670	670		
	inch	26,4	26,4		
<b>POWER</b>					
Motor	kW	2,2	2,2		
Electric heating power	kW	12	18		
Max. power (Electric model)	kW	14,2	20,2		
Max. power (Steam model)	kW	2,2	2,2		
<b>CONNECTIONS</b>		<b>ELECTRIC / DUAL</b>	<b>STEAM</b>	<b>ELECTRIC / DUAL</b>	<b>STEAM</b>
Tension 230V- I + N + T	Nº x mm2/A	-	3 x 1,5 / 6A	-	3 x 1,5 / 6A
Tension 230V- III + T	Nº x mm2/A	4 x 10 / 40A	-	4 x 10 / 50A	-
Tension 400V- III + N + T	Nº x mm2/A	5 x 6 / 25A	-	5 x 6 / 32A	-
Steam inlet (Steam)	mm	20/27		20/27	
	inch	3/4"		3/4"	
Maximum steam consumption (Steam)	Kg/h	9		12	
Water inlet	mm	20/27		20/27	
	inch	3/4"		3/4"	
Water main pressure	bar	3 - 5		3 - 5	
	psi	43 - 72		43 - 72	
Maximum water consumption*	Lit/h	144		198	
Drain	mm	80		80	
	inch	3"		3"	
Drain Flow	Lit/min	160		160	
	cfm	5,65		5,65	
<b>DIMENSIONS / PACKING DIMENSIONS</b>					
Net width / Gross width	mm	1.056 / 1.072		1.245 / 1.262	
	inch	38,7 / 42,2		46,6 / 49,7	
Net depth / Gross depth	mm	1.071 / 1.102		1.071 / 1.102	
	inch	42,16 / 43,4		42,16 / 43,4	
Net height / Gross height	mm	1.417 / 1.530		1.417 / 1.530	
	inch	55,8 / 60,2		55,8 / 60,2	
Net weight / Gross weight	Kg	438 / 459		471 / 494	
	Lb	966 / 1011,9		1.038 / 1.089,1	
Volume	m <sup>3</sup>	1,60 / 1,81		1,88 / 2,13	
	ft <sup>3</sup>	56,5 / 63,8		66,39 / 75,1	

\* N°2 Program, 100% load



- 01. Electrical connexion
- 02. Hot water
- 03. Cold water
- 04. Soft water
- 05. Main switch
- 06. Liquid products intel
- 07. Detergent box (option)
- 08. Control panel
- 09. Emergency stop
- 10. Door opening
- 11. USB port
- 12. Dosing pumps connexion
- 13. Steam intel
- 14. Exhaust

	A	B	C	A1	B1	C1	D	E	F	G	H	I	J	K	L	M	N	O	P	Q	R
LMED-16	1.054	1.082	1.426	984	914	1.385	661	1.184	1.296	217	317	377	437	582	1.209	1.231	1.207	1.311	292	352	582
LMED-22	1.254	1.082	1.426	1.184	914	1.385	661	1.184	1.296	217	317	377	437	582	1.209	1.231	1.207	1.311	292	352	582