



WASHING

SANITARY BARRIERS LMED RANGE LMED-16/22 TP2

CHARACTERISTICS

TP2

- User friendly and programmable TP2 Control with a 7" touch screen
- Display on dirty side
- USB Connection. PC software free of charge for programming, traceability, data analysis...
- 37 available languages
- 8 dosing signals as standard

OUTSTANDING FEATURES

- Automatic positioning of drum
- 2 water inlets
- Wet cleaning features ready
- G-FACTOR 350
- Traceability as standard
- Heating: electric, steam, and new dual heating model (electric+steam)

EFFICIENCY

- Intelligent consumption
- Optimal loading
- Water Recovery tanks ready: krs
- Low water consumption
- High G-FACTOR: reduced residual moisture > reduced drying time

CONNECTIVITY

- FagorKonnnect IoT

ERGONOMICS

- Huge door opening making loading/unloading easier
- Easy friendly drum opening by push button
- Loading height: door base 670 mm

MAINTENANCE

- Electric components on the left side, mechanical components on the right side and connections on the top (protected from water and detergents)
- Central drain as standard
- Technical menu: statistics, alarms, autotest, data recovery for technicians and maintenance

OTHERS

- 2 opposed doors. Pass-through barrier washer.
- Ready to be connected to dosing pumps
- Grey skinplate outer casing
- Drum and vat in stainless steel AISI 304
- Frequency inverter to control imbalance
- CE approved product

OPTIONS

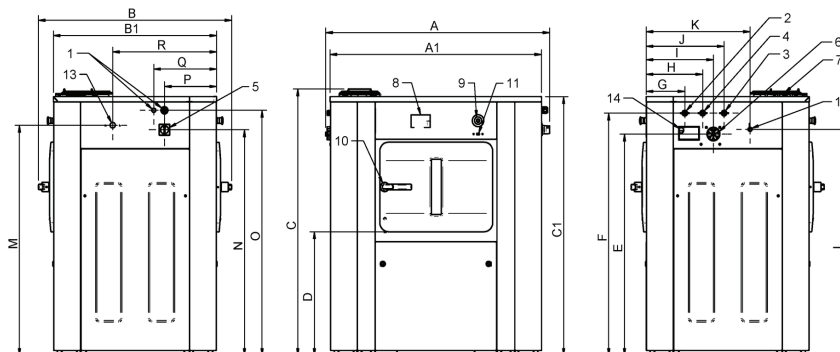
- 7" second screen on clean side
- Auto Weight: automatic weighing sensor system on feet (Includes kit with 6 extra dosing signals)
- Relay card with 6 extra dosing signals: up to 14 signals
- Printer
- IoT - FagorKonnnect communication
- Third water inlet
- Double drain
- Titration valve
- Side drain valve
- Low steam pressure (0,5 bar)
- Detergent box with 4 compartments
- Electric drum motor brake
- UPS Option (in case of power failure)
- End of cycle light alarm
- Plinth to align loading height (door base at 850mm)
- Stainless steel AISI 304 outer casing
- Stainless steel AISI 304 frame
- Stainless steel frame equipped with loading base
- Maritime wooden packing
- Plinth to align loading height (door base at 850 mm)



TECHNICAL DATA

SANITARY BARRIERS | LMED RANGE | LMED-16/22 TP2

	UNIT.	LMED-16 TP2	LMED-22 TP2				
DRUM							
Capacity 1:9 / 1:10	Kg	18 / 16	25 / 22				
Volume	l	158	220				
Diameter	mm	633	633				
Depth	mm	500	700				
Number of compartments	Nº.	1	1				
GENERAL DETAILS							
Washing speed / Spining speed	r.p.m.	45 / 1.000	45 / 1.000				
G Factor	-	350	350				
Maximum force transmitted	KN	5,5 ±1,12	6,25 ±1,54				
Frequency-dynamic force	Hz	16,7	16,7				
Sound level	dB	< 70	< 70				
Double drain	-	Opc	Opc				
Weighing System	-	Opc	Opc				
DOOR							
Height base door	mm	670	670				
Drum opening dimensions	mm	400 x 315	400 x 315				
Vat opening dimensions	mm	455 x 415	455 x 415				
POWER							
Motor	kW	2,2	2,2				
Electric heating power	kW	12	18				
Total electric power (electric model)	kW	14,2	20,2				
Total electric power (steam model)	kW	2,2	2,2				
CONNECTIONS		ELECTRIC / DUAL	STEAM	ELECTRIC / DUAL	STEAM		
Tension 230V- I + N + T	Nº x mm2 / A	-	3 x 1,5 / 6A	-	3 x 1,5 / 6A		
Tension 230V- III + T	Nº x mm2 / A	4 x 10 / 40A	-	4 x 10 / 50A	-		
Tension 400V- III + N + T	Nº x mm2 / A	5 x 6 / 25A	-	5 x 6 / 32A	-		
Steam inlet (Steam model)	inch	3/4"		3/4"			
Maximum steam consumption (Steam model)	Kg/h	9		12			
Water inlet	inch	3/4"		3/4"			
Water main pressure	Kgs/cm ²	3-5		3-5			
Maximum water consumption*	Lit/h	144		198			
Drain	mm/inch	3"		3"			
Drain Flow	Lit/min	160		160			
DIMENSIONS / PACKING DIMENSIONS							
Width / Width	mm	984 / 1.072			1.184 / 1.262		
Depth / Depth	mm	914 / 1.102			914 / 1.102		
Height / Height	mm	1398 / 1.530			1.398 / 1.530		
Net weight / Gross weight	kg	438 / 459			471 / 494		
Volume	m ³	1,81			2,13		



* N°2 Program, 100% load

01. ELECTRICAL CONNEXION
02. HOT WATER
03. COLD WATER
04. SOFT WATER
05. MAIN SWITCH
06. LIQUID PRODUCTS INLET
07. DETERGENT BOX (OPTION)
08. CONTROL PANEL
09. EMERGENCY STOP
10. DOOR OPENING
11. USB PORT
12. DOSING PUMPS CONNEXION
13. STEAM INLET
14. EXHAUST

	A	B	C	A1	B1	C1	D	E	F	G	H	I	J	K	L	M	N	O	P	Q	R
LMED-16	1.054	1.082	1.426	984	914	1.385	661	1.184	1.296	217	317	377	437	582	1.209	1.231	1.207	1.311	292	352	582
LMED-22	1.254	1.082	1.426	1.184	914	1.385	661	1.184	1.296	217	317	377	437	582	1.209	1.231	1.207	1.311	292	352	582