



WASHING

SANITARY BARRIERS PULLMAN RANGE LBS-100 TP2

CHARACTERISTICS

TP2

- 7" touch screen easy to use and fully programmable, double display.
- Connection USB. Free software online for programming, telemetry, data analysis...
- Videos on display (instructions...).
- 37 languages.
- 8 dosing signals as standard.

- Technical menu : statistics, alarms, autotest, data recovery for technicians and maintenance.

OTHERS

- 2 opposed doors. Pass-through barrier washer.
- Ready to be connected to dosing pumps.
- Grey skinplate outer casing.
- Drum and vat in stainless steel AISI 304.
- Frequency inverter to control imbalance.
- CE approved product.

OUTSTANDING FEATURES

- Automatic positioning of drum with motor brake.
- 3 water inlets, double drain.
- Wet cleaning features ready.
- G FACTOR 325.
- Telemetry as standard.
- Heating: electric, steam, and new dual heating model (electric+steam).

OPTIONS

- Relay card with 6 extra dosing signals: up to 14 signals.
- Printer.
- Dual heating (electric+steam).
- Titration valve.
- End of cycle light alarm.
- Detergent box with 4 compartments.
- Stainless steel AISI 304 outer casing.
- Stainless steel AISI 304 sanitary frame.
- Other voltages.

EFFICIENCY

- Intelligent consumption
- Optimal loading
- Water Recovery tanks ready: KRS .
- High G factor : reduced residual moisture, reduced drying time.

CONNECTIVITY

- IoT FagorKconnect.
- Remote technical service.
- Laundry management.

ERGONOMICS

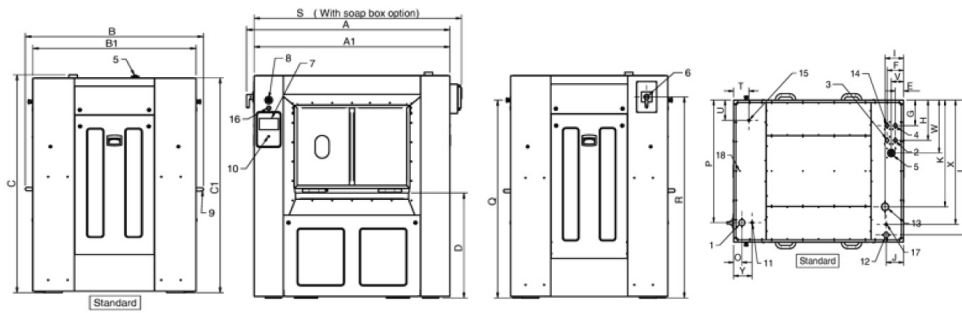
- Huge loading and unloading doors opening.
- Easy drum opening by push button.
- Loading height (960 mm from door bottom).

MAINTENANCE

- Electric elements on left side, mechanical ones on right side, connections on the top (protected from detergents and water splashes).



	UNIT.	LBS-100 TP2	
DRUM			
Capacity 1:9	Kg	100	
	Lb	220,5	
Capacity 1:10	Kg	90	
	Lb	198,4	
Volume	l	900	
	ft ³	31,78	
Diameter	mm	1.050	
	inch	41,3	
Depth	mm	1.032	
	inch	40,6	
Number of compartments	Nº.	2	
Pullman partition of drum		Std	
GENERAL DETAILS			
Washing	r.p.m.	45	
Spini speed	r.p.m.	750	
G Factor		325	
Maximum force transmitted	KN	5,24	
Frequency-dynamic force	Hz	15,4	
Sound level	dB	< 70	
Double drain		Std	
Weighing System		N/A	
DOOR			
Drum opening dimensions	mm	900 x 500	
	inch	35,4 x 19,6	
Vat opening dimensions	mm	960 x 700	
	inch	37,8 x 27,55	
Height base door	mm	960	
	inch	37,8	
POWER			
Motor	kW	15	
Electric heating power	kW	60	
Max. power (Electric model)	kW	75	
Max. power (Steam model)	kW	15	
CONNECTIONS			
		ELECTRIC / DUAL	STEAM
Tension 230V- I + N + T	Nº x mm2 / A	-	-
Tension 230V- III + T	Nº x mm2 / A	-	4 x 10 / 40A
Tension 400V- III + N + T	Nº x mm2 / A	5 x 25 / 120A	5 x 6 / 25A
Steam inlet (Steam model)	mm	20/27	
	inch	3/4"	
Maximum steam consumption (Steam model)	Kg/h	34,2	
Water inlet	mm	26/34	
	inch	1"	
Water pressure	bar	3 - 5	
	psi	43 - 72	
Maximum water consumption*	Lit/h	900	
Drain	mm	2 x 80	
	inch	2 x 3"	
Drain flow	Lit/min	2 x 160	
	cfm	2 x 5,65	
DIMENSIONS / PACKING DIMENSIONS			
Net width / Gross width	mm	1.742 / 1.890	
	inch	68,6 / 74,4	
Net depth / Gross depth	mm	1.468 / 1.540	
	inch	57,8 / 60,6	
Net height / Gross height	mm	1.982 / 2.150	
	inch	78,03 / 84,6	
Net weight / Gross weight	Kg	1.900 / 1.958	
	Lb	4.189 / 4.316,7	
Volume	m ³	5,06 / 6,26	
	ft ³	178,69 / 221	



- 01. Electrical connexion
- 02. Cold water intel
- 03. Soft water intel
- 04. Hot water intel
- 05. Liquid products inlet
- 06. Main switch
- 07. Control panel
- 08. Emergency stop
- 09. Door opening
- 10. USB port
- 11. Dosing pump connexion
- 12. Steam inlet
- 13. Exhaust
- 14. Cold water detergent box
- 15. Compressed air connection
- 16. Manual drum rotation
- 17. Compressed air steam valve

	A	B	C	A1	B1	C1	D	E	F	G	H	I	J	K	L	O	P	Q	R	S	T	U	V	W	X	Y
LBS-100	1.742	1.468	1.982	1.677	1.346	1.954	921	82	162	262	382	183	172	1013	1279	83	1163	1737	1765	1777	150	192	122	502	1179	183