



# WASHING

## HIGH SPIN WASHERS LOW AND MEDIUM CAPACITY LA-11/14 TP2



### CHARACTERISTICS

#### TP2

- User friendly and totally programmable 7".
- USB Connection. Online platform free of charge for programming, telemetry, data analysis... thanks to the IoT.
- Videos on display (ads, instructions, etc.).
- 37 languages.
- 8 dosing signals as standard.

#### G FACTOR

- High G-Factor: G-FACTOR 500 for high spin washers.

#### EFFICIENCY

- Intelligent consumption.
- Optimal loading.
- Water Recovery tanks ready: KRS.
- Low water consumption.

#### VERSATILITY

- Make to order: customisation.
- OPL < > COIN.
- Electric < > Hot water.
- Drain valve < > Pump.
- Wet cleaning features.

#### CONNECTIVITY

- IoT - FagorKonnnect standard.
- Remote technical service.
- Management of laundries: OPL and COIN.
- Remote payment.

#### ERGONOMICS

- Biggest door diameters: Ø373.
- Easy opening/closing system for door lock.

#### MAINTENANCE

- Hinged control panel: easy and ergonomic access.
- Technical menu: statistics for technicians and maintenance with external console (with console option).

#### OTHERS

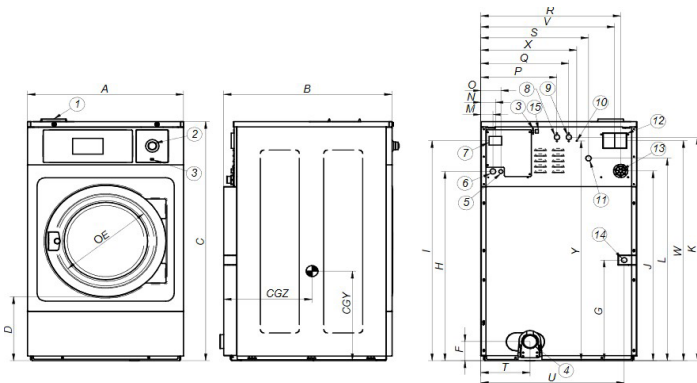
- Grey skinplate outer casing.
- Drum and tub in stainless steel AISI 304.
- Detergent dispenser with 4 compartments.
- Electronic control of imbalance with frequency control.
- LOADING AID system: water and rotation control.
- CB and WRAS approved product. Option ETL.
- High spin washers with suspended drum.

#### OPTIONS

- DQ-2 Dosing pump kit.
- Extra dosing pump DB-1.
- Double drain.
- External double drain 3" (recommended for LA-11).
- Drain pump for models LA-11 and LA-14.
- Normally closed valve.
- Water FULL FLOW recirculation of bath water.
- Levelling feet.
- Auto Weight: automatic weighing sensor system on feet (Includes kit with 6 extra dosing signals).
- Relay card with 6 extra dosing signals: up to 14 signals.
- Silicone gasket.
- Reversible door opening.
- Tropicalized model: protected board.
- Steam kit to transform an E or HW heated machine into steam version.
- Plinth for mops with drawer inox/skinplate.
- Plinth to level all machines from top.
- Plinth to align the doorbase at 850mm.
- Stainless steel AISI 304 outer casing.
- Stainless steel AISI 304 front panel.
- Maritime volt. electric models: 440V III 50/60 (Hz no N)l.
- Coin/token kits.
- Auto unlock kit for the door.

	U.	LA-11 TP2	LA-14 TP2		
<b>DRUM</b>					
Load capacity 1:9 / 1:10	Kg	11/10	14/13		
Volume	l	100	130		
Diameter	mm	532	620		
Depth	mm	425	430		
<b>GENERAL DETAILS</b>					
Washing speed / Spining speed	r.p.m.	50/1.300	50/1.204		
G Factor	-	500	500		
Maximum force transmitted	KN	2,08 ±0,75	2,49 ±1,05		
Frequency-dynamic force	Hz	16,7	16,7		
Noise level	dB	<70	<70		
Coin laundry version	-	Yes	Yes		
Double drain	-	No	Opt.		
Weighing System / Tilting System	-	Opt./No	Opt./No		
SLUIICE option	-	No	No		
<b>DOOR</b>					
Height center door / Height door	mm	630/370	700/440		
Diameter	mm	373	373		
<b>POWER</b>					
Motor	kW	0,75	1,1		
Electric heating power	kW	6	9		
Total electric power (electric model)	kW	6,25	9,4		
Total electric power (hw, steam model)	kW	0,75	1,1		
<b>CONNECTIONS</b>		<b>ELECTRIC</b>	<b>STEAM/HOT WATER</b>	<b>ELECTRIC</b>	<b>STEAM/HOT WATER</b>
Tension 230V - I + N + T	N° x mm2 / A	2x6+T / 40A	2x1,5+T / 16A	2x10+T / 50A	2x1,5+T / 16A
Tension 230V - III + T	N° x mm2 / A	3x2,5+T / 20A	-	3x4+T / 32A	-
Tension 400V - III + N + T	N° x mm2 / A	4x1,5+T / 16A	-	4x1,5+T / 16A	-
Steam inlet (Steam model)	inch	1/2"		1/2"	
Maximum steam consumption (Steam model)	Kg/h	7		8,5	
Water inlet	inch	3/4"		3/4"	
Water main pressure	Kg/cm <sup>2</sup>	2-4		2-4	
Maximum water consumption	Lit/h	71,4*		88,8*	
Drain	mm/inch	3"		3"	
Drainage capacity	Lit/min	200		200	
<b>DIMENSIONS / PACKING DIMENSIONS</b>					
Net Width / Gross Width	mm	692/738		788/850	
Net Depth / Gross Depth	mm	830/975		869/1.015	
Net Height / Gross Height	mm	1.185/1.440		1.307/1.600	
Net weight / Gross weight	Kg	198/230		236/274,5	
Volume	m <sup>3</sup>	1,03		1,38	

\* Programme No. 20, 75% load



- 01. Soap dispenser
- 02. Emergency stop
- 03. USB port
- 04. Drain
- 05. Electric connection to liquid soap pump
- 06. Electrical connection
- 07. Main switch
- 08. Auxiliar water inlet
- 09. Hot water inlet
- 10. Equipotential connection
- 11. Cold water inlet
- 12. Blur output / Water overload
- 13. Liquid soap connection
- 14. Steam connection
- 15. Ethernet port

	A	B	C	D	E	F	G	H	I	J	K	L	M	N	O	P	Q	R	S	T	U	V	W	X	Y	CGY	CGZ	
LA-11	mm	692	830	1.185	370	373	125	354	913	1.085	916	1.100	985	61	74	101	292	352	610	448	226	626	580	1.080	442	1.145	424	577
LA-14	mm	788	869	1.307	440	373	125	385	1.034	1.202	1.037	1.221	1.106	61	74	101	385	445	706	544	243	718	676	1.202	485	1.201	450	651



# WASHING

## HIGH SPIN WASHERS LOW AND MEDIUM CAPACITY LA-18/22 TP2

### CHARACTERISTICS

#### TP2

- User friendly and totally programmable 7".
- USB Connection. Online platform free of charge for programming, telemetry, data analysis...thanks to the IoT.
- Videos on display (ads, instructions, etc.).
- 37 languages.
- 8 dosing signals as standard.

#### G FACTOR

- High G-Factor: G-FACTOR 450-500.

#### EFFICIENCY

- Intelligent consumption.
- Optimal loading.
- Water Recovery tanks ready: KRS.
- Low water consumption.

#### VERSATILITY

- Make to order: customisation.
- OPL < > COIN.
- Electric < > Hot water.
- Drain valve < > Pump.
- Wet cleaning features.

#### CONNECTIVITY

- IoT - FagorKonnnect standard.
- Remote technical service.
- Management of laundries: OPL and COIN.
- Remote payment.

#### ERGONOMICS

- Biggest door diameters: Ø460.
- Easy opening/closing system for door lock.

#### MAINTENANCE

- Hinged control panel: easy and ergonomic access.
- Technical menu: statistics for technicians and maintenance with external console (with console option).

#### OTHERS

- Grey skinplate outer casing.
- Drum and tub in stainless steel AISI 304.
- Detergent dispenser with 4 compartments.
- Electronic control of imbalance with frequency control.
- LOADING AID system: water and rotation control.
- CB and WRAS approved product. Option ETL.
- High spin washers with suspended drum.

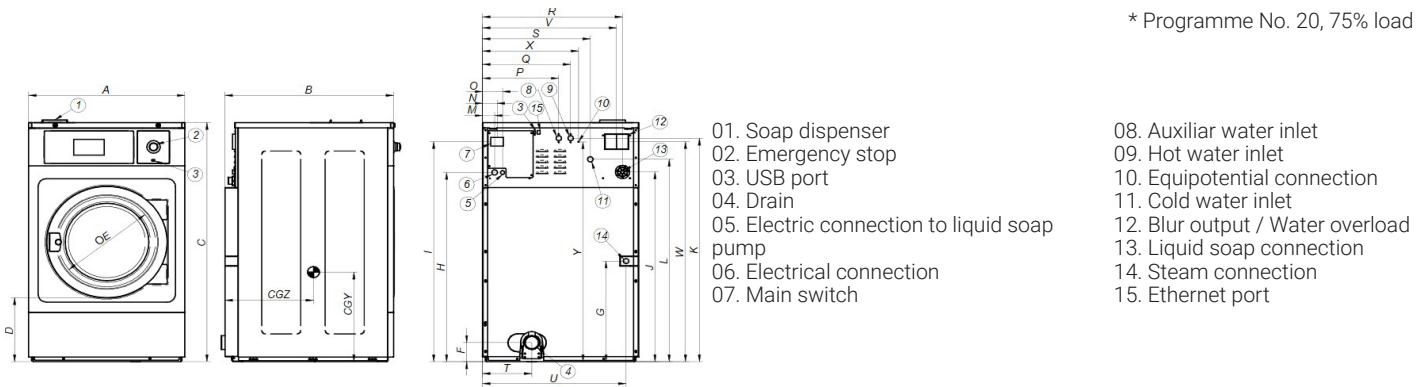
#### OPTIONS

- DQ-2 Dosing pump kit.
- Extra dosing pump DB-1.
- Double drain.
- Normally closed valve.
- WaterFULL FLOW recirculation of bath water.
- Levelling feet .
- Auto Weight: automatic weighing sensor system on feet (Includes kit with 6 extra dosing signals).
- Relay card with 6 extra dosing signals: up to 14 signals.
- Silicone gasket.
- Reversible door opening.
- Tropicalized model: protected board.
- Steam kit to transform an E or HW heated machine into steam version.
- Plinth to level all machines from top.
- Plinth to align the doorbase at 850mm).
- Plinth for mops with drawer inox/skinplate.
- Stainless steel outer casing.
- Stainless steel front panel.
- Maritime voltage for electric models: 440V III 50/60 Hz No neutral.
- Coin/token kit.
- Auto unlock kit for the door.



	U.	LA-18 TP2	LA-22 TP2		
<b>DRUM</b>					
Load capacity 1:9 / 1:10	Kg	20/18	25/22		
Volume	l	180	220		
Diameter	mm	700	700		
Depth	mm	470	560		
<b>GENERAL DETAILS</b>					
Washing speed / speed	r.p.m.	47/1.133	47/1.071		
G Factor	-	500	450		
Maximum force transmitted	KN	3,41 ±1,4	4,12 ±1,4		
Frequency-dynamic force	Hz	16	16		
Noise level	dB	<70	<70		
Coin laundry version	-	Yes	Yes		
Double drain	-	Opt.	Opt.		
Weighing System / Tilting System	-	Opt./No	Opt./No		
SLUICE option	-	No	No		
<b>DOOR</b>					
Height center door / Height door	mm	765/450	765/450		
Diameter	mm	460	460		
<b>POWER</b>					
Motor	kW	2,2	2,2		
Electric heating power	kW	12	12		
Total electric power (electric model)	kW	12,75	12,75		
Total electric power (hw, steam model)	kW	2,2	2,2		
<b>CONNECTIONS</b>		<b>ELECTRIC</b>	<b>STEAM/HOT WATER</b>	<b>ELECTRIC</b>	<b>STEAM/HOT WATER</b>
Tension 230V - I + N + T	N° x mm2 / A	2x16+T / 63A	2x1,5+T / 16A	2x16+T / 63A	2x1,5+T / 16A
Tension 230V - III + T	N° x mm2 / A	3x6+T / 40A	-	3x6+T / 40A	-
Tension 400V - III + N + T	N° x mm2 / A	4x4+T / 32A	-	4x4+T / 32A	-
Steam inlet (Steam model)	inch	1/2"		1/2"	
Maximum steam consumption (Steam model)	Kg/h	12		12	
Water inlet	inch	3/4"		3/4"	
Water main pressure	Kg/cm <sup>2</sup>	2-4		2-4	
Maximum water consumption	Lit/h	118,3*		145*	
Drain	mm/inch	3"		3"	
Drainage capacity	Lit/min	200		200	
<b>DIMENSIONS / PACKING DIMENSIONS</b>					
Net Width / Gross Width	mm	884/945		884/945	
Net Depth / Gross Depth	mm	913/1.030		1.003/1.115	
Net Height / Gross Height	mm	1.405 / 1.680		1.405/1.680	
Net weight / Gross weight	Kg	344,5/388		360/403,5	
Volume	m <sup>3</sup>	1,63		1,77	

\* Programme No. 20, 75% load



	A	B	C	D	E	F	G	H	I	J	K	L	M	N	O	P	Q	R	S	T	U	V	W	X	Y	CGY	CGZ	
LA-18	mm	884	913	1.405	450	460	125	380	1.135	1.303	1.138	1.322	1.207	61	74	101	429	509	802	640	322	814	772	1.303	569	1.297	464	702
LA-22	mm	884	1.003	1.405	450	460	125	380	1.135	1.303	1.138	1.322	1.207	61	74	101	429	509	802	640	322	814	772	1.303	569	1.297	464	747



# WASHING

## HIGH SPIN WASHERS LOW AND MEDIUM CAPACITY LA-28 TP2

### CHARACTERISTICS

#### TP2

- User friendly and totally programmable 7" TP2 touch screen.
- USB Connection. Online platform free of charge for programming, telemetry, data analysis... thanks to the IoT.
- Videos on display (ads, instructions, etc.).
- 37 languages.
- 8 dosing signals as standard.

#### G FACTOR

- High G-Factor: G-FACTOR 450.

#### EFFICIENCY

- Intelligent consumption.
- Optimal loading.
- Water Recovery tanks ready: KRS.
- Low water consumption.

#### VERSATILITY

- Make to order: customisation.
- OPL < > COIN.
- Electric < > Hot water.
- Drain valve < > Pump.
- Wet cleaning features.

#### CONNECTIVITY

- IoT - FagorKonnnect standard.
- Remote technical service.
- Management of laundries: OPL and COIN.
- Remote payment.

#### ERGONOMICS

- Biggest door diameters: Ø460.
- Easy opening/closing system for door lock.

#### MAINTENANCE

- Hinged control panel: easy and ergonomic access.
- Technical menu: statistics for technicians and maintenance with external console (with console option).

#### OTHERS

- Grey skinplate outer casing.
- Drum and tub in stainless steel AISI 304.
- Detergent dispenser with 4 compartments.
- Electronic control of imbalance with frequency control.
- LOADING AID system: water and rotation control.
- CB and WRAS approved product. Option ETL.
- High spin washers with suspended drum.

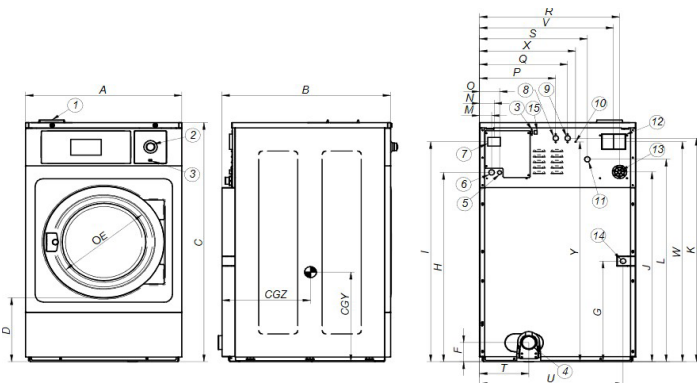
#### OPTIONS

- DQ-2 Dosing pump kit.
- Extra dosing pump DB-1.
- Double drain.
- Normally closed valve.
- WaterFULL FLOW recirculation of bath water.
- Levelling feet.
- Auto Weight: automatic weighing sensor system on feet (Includes kit with 6 extra dosing signals).
- Relay card with 6 extra dosing signals: up to 14 signals.
- Silicone gasket.
- Reversible door opening.
- Tropicalized model: protected board.
- Steam kit to transform an E or HW heated machine into steam version.
- Plinth to level all machines from top.
- Plinth to align the doorbase at 850mm).
- Plinth for mops with drawer inox/skinplate.
- Stainless steel outer casing.
- Stainless steel front panel.
- Maritime voltage for electric models: 440V III 50/60 Hz No neutral.
- Coin/token kit.
- Auto unlock kit for the door.



		U.	LA-28 TP2
<b>DRUM</b>			
Load capacity 1:9 / 1:10		Kg	31/28
Volume		l	280
Diameter		mm	770
Depth		mm	585
<b>GENERAL DETAILS</b>			
Washing speed / Spining speed		r.p.m.	45/1.024
G Factor		-	450
Maximum force transmitted		KN	5,59 ± 1,75
Frequency-dynamic force		Hz	15
Noise level		dB	<70
Coin laundry version		-	Sì
Double drain		-	Opt.
Weighing System / Tilting System		-	Opt./No
SLUICE option		-	No
<b>DOOR</b>			
Height center door / Height door		mm	865/560
Diameter		mm	460
<b>POWER</b>			
Motor		kW	4
Electric heating power		kW	18
Total electric power (electric model)		kW	19,2
Total electric power (hw, steam model)		kW	4
<b>CONNECTIONS</b>		<b>ELECTRIC</b>	<b>STEAM / HOT WATER</b>
Tension 230V - I + N + T	N° x mm2 / A	-	2x4+T / 32A
Tension 230V - III + T	N° x mm2 / A	3x16+T / 63A	3x2,5+T / 20A
Tension 400V - III + N + T	N° x mm2 / A	4x4+T / 32A	4x1,5+T / 16A
Steam inlet (Steam model)	inch	3/4"	
Maximum steam consumption (Steam model)	Kg/h	15	
Water inlet	inch	3/4"	
Water main pressure	Kg/cm <sup>2</sup>	2-4	
Maximum water consumption	Lit/h	175,5*	
Drain	mm/inch	3"	
Drainage capacity	Lit/min	200	
<b>DIMENSIONS / PACKING DIMENSIONS</b>			
Net Width / Gross Width	mm	979/1.045	
Net Depth / Gross Depth	mm	1.080/1.210	
Net Height / Gross Height	mm	1.550/1.810	
Net weight / Gross weight	Kg	524,5/548,5	
Volume	m <sup>3</sup>	2,28	

\* Programme No. 20, 75% load



- 01. Soap dispenser
- 02. Emergency stop
- 03. USB port
- 04. Drain
- 05. Electric connection to liquid soap pump
- 06. Electrical connection
- 07. Main switch
- 08. Auxiliary water inlet
- 09. Hot water inlet
- 10. Equipotential connection
- 11. Cold water inlet
- 12. Blur output / Water overload
- 13. Liquid soap connection
- 14. Steam connection
- 15. Ethernet port

	A	B	C	D	E	F	G	H	I	J	K	L	M	N	O	P	Q	R	S	T	U	V	W	X	Y	CGY	CGZ
LA-28	979	1.080	1.550	560	460	125	490	1.282	1.450	1.259	1.465	1.354	61	74	101	481	561	861	673	367	909	831	1.424	624	1.510	773	735



# WASHING

## HIGH SPIN WASHERS LOW AND MEDIUM CAPACITY LA-35C/45C TP2

### CHARACTERISTICS

#### TP2

- User friendly and totally programmable 7".
- USB Connection. Online platform free of charge for programming, telemetry, data analysis... thanks to the IoT.
- Videos on display (ads, instructions).
- 37 languages.
- 8 dosing signals as standard.

#### G FACTOR

- High G-Factor: G-FACTOR 450.

#### EFFICIENCY

- Intelligent consumption.
- Optimal loading.
- Water Recovery tanks ready: KRS.
- Low water consumption.

#### VERSATILITY

- Make to order: customisation.
- OPL < > COIN.
- Electric < > Hot water.
- Drain valve < > Pump.
- Wet cleaning features.

#### CONNECTIVITY

- IoT - FagorKonnnect standard.
- Remote technical service.
- Management of laundries: OPL and COIN.
- Remote payment.

#### ERGONOMICS

- Biggest door diameters: Ø560.
- Easy opening/closing system for door lock.

#### MAINTENANCE

- Hinged control panel: easy and ergonomic access.
- Technical menu: statistics for technicians and maintenance with external console (with console option).

#### OTHERS

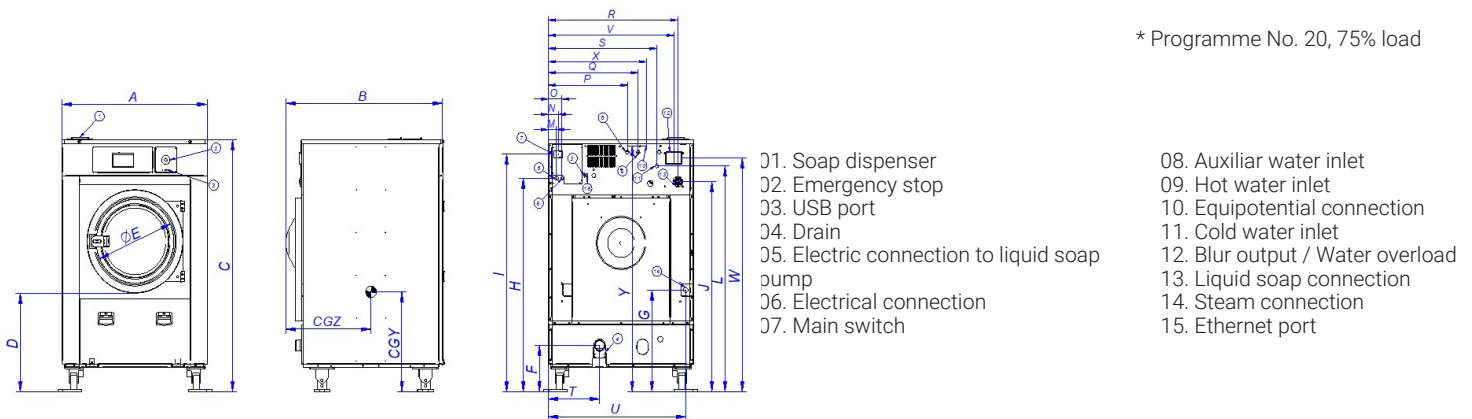
- Grey skinplate outer casing.
- Drum and tub in stainless steel AISI 304.
- Detergent dispenser with 4 compartments.
- Electronic control of imbalance with frequency control.
- LOADING AID system: water and rotation control.
- CB and WRAS approved product. Option ETL.
- High spin washers with suspended drum.

#### OPTIONS

- DQ-2 Dosing pump kit.
- Extra dosing pump DB-1.
- Double drain.
- Normally closed valve.
- Water FULL FLOW: recirculation of bath water.
- Levelling feet.
- Auto Weight: automatic weighing sensor system on feet (Includes kit with 6 extra dosing signals).
- Relay card with 6 extra dosing signals: up to 14 signals.
- Reversible door opening.
- Tropicalized model: protected board.
- Steam kit to transform an E or HW heated machine into steam version.
- Plinth to align loading height (door base at 850mm).
- Stainless steel AISI 304 outer casing.
- Stainless steel AISI 304 front panel (LA-35C).
- Maritime voltage for electric models: 440V III 50/60 Hz.
- No neutral.
- Voltage 230 V III 50/60 Hz.
- Coin/token kit.
- Auto unlock kit for the door.



	U.	LA-35C TP2	LA-45C TP2		
<b>DRUM</b>					
Load capacity 1:9 / 1:10	Kg	39/35	47/42		
Volume	l	350	450		
Diameter	mm	860	860		
Depth	mm	602	720		
<b>GENERAL DETAILS</b>					
Washing speed / Spining speed	r.p.m.	42,5/966	42,5/966		
G Factor	-	450	450		
Maximum force transmitted	KN	7,36 ±2,45	7,36 ±2,45		
Frequency-dynamic force	Hz	14,3	14,3		
Sound level	dB	<70	<70		
Coin laundry version	-	Yes	No		
Double drain	-	Opt.	Opt.		
Weighing System / Tilting System	-	Opt./No	Opt./No		
SLUICE option	-	No	No		
<b>DOOR</b>					
Height center door / Height door	mm	1000/640	1000/640		
Diameter	mm	560	560		
<b>POWER</b>					
Motor	kW	6	6		
Electric heating power	kW	21	21		
Total electric power (electric model)	kW	22	22		
Total electric power (hw, steam model)	kW	6	6		
<b>CONNECTIONS</b>		<b>ELECTRIC</b>	<b>STEAM/HOT WATER</b>	<b>ELECTRIC</b>	<b>STEAM/HOT WATER</b>
Tension 230V - III + T	N° x mm2 / A	3x16+T / 63A	3x4+T / 32A	3x16+T / 63A	3x4+T / 32A
Tension 400V - III + N + T	N° x mm2 / A	4x6+T / 40A	4x1,5+T / 16A	4x6+T / 40A	4x1,5+T / 16A
Steam inlet (Steam mod.)	inch	3/4"		3/4"	
Maximum steam consumption (Steam mod.)	Kg/h	18		18	
Water inlet	inch	3/4"		3/4"	
Water main pressure	Kg/cm <sup>2</sup>	2-4		2-4	
Maximum water consumption	Lit/h	261,3*		335,9*	
Drain	mm/inch	3"		3"	
Drainage capacity	Lit/min	200		200	
<b>DIMENSIONS / PACKING DIMENSIONS</b>					
Net Width / Gross Width	mm	1.095/1.205		1.095/1.205	
Net Depth / Gross Depth	mm	1.184/1.330		1.304/1.440	
Net Height / Gross Height	mm	1.730/1.850		1.730/1.850	
Net weight / Gross weight	Kg	735/786		747/853	
Volume	m <sup>3</sup>	2,7		3,3	



	A	B	C	D	E	F	G	H	I	J	K	L	M	N	O	P	Q	R	S	T	U	V	W	X	Y	CGY	CGZ	
LA-35C	mm	1.095	1.184	1.767	640	560	328	712	1.500	1.668	1.501	1.683	1.587	61	74	101	596	676	976	808	384	1.037	946	1.637	740	1.723	795	732
LA-45C	mm	1.095	1.304	1.767	640	560	328	712	1.500	1.668	1.501	1.683	1.587	61	74	101	596	676	976	808	384	1.037	946	1.637	740	1.723	795	800



# WASHING

## HIGH SPIN WASHERS HIGH CAPACITY LA-60C/80C TP2

### CHARACTERISTICS

#### TP2

- User friendly and totally programmable 7".
- USB Connection. PC software free of charge for programming, traceability, data analysis.
- Videos on display (ads, instructions).
- 37 languages.
- 8 dosing signals as standard.

#### G FACTOR

- High G-Factor 450.

#### EFFICIENCY

- Intelligent consumption.
- Optimal loading.
- Low water consumption.

#### VERSATILITY

- Electric < > Hot water.
- WET CLEANING features as standard.

#### CONNECTIVITY

- IoT - FagorKonnnect standard.
- Remote technical service.
- Management of laundries: OPL.

#### ERGONOMICS

- Big door diameters: Ø 560 mm.
- Easy opening/closing system for door lock.

#### MAINTENANCE

- Equivalent parts for all models: contactors, electronic devices, gear.
- Technical menu: traceability, error diagnosis.

#### OTHERS

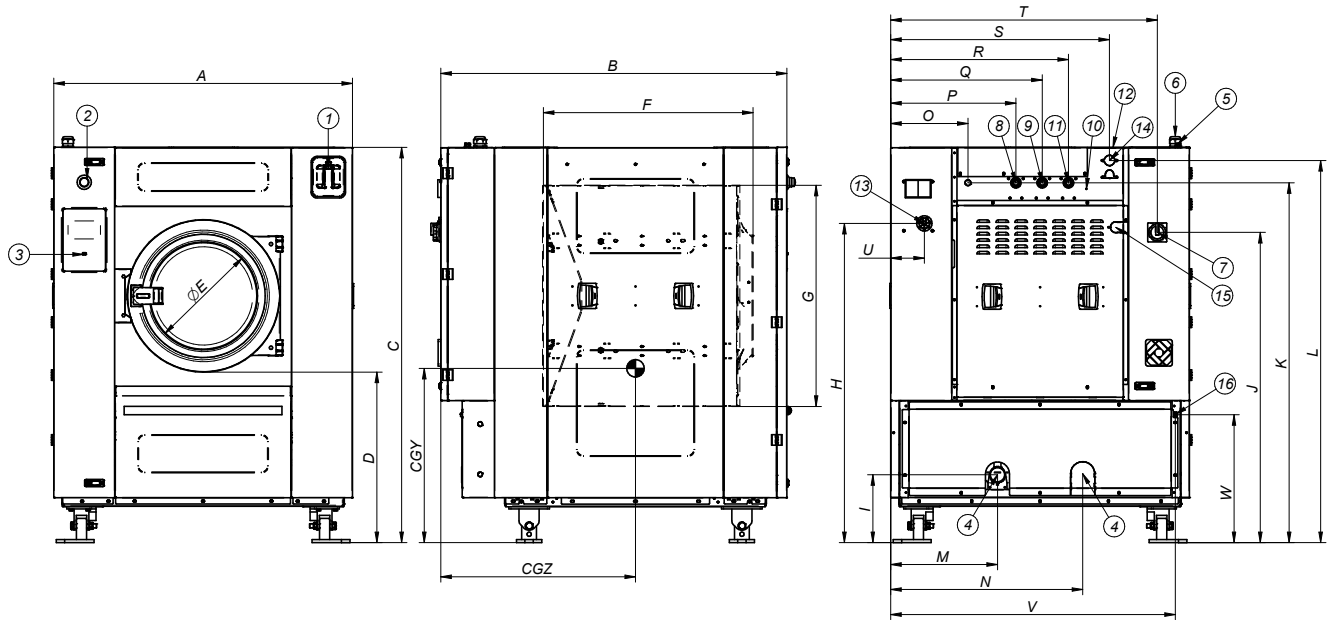
- Drum and tub in stainless steel AISI 304.
- 3 water inlets.
- Soft mounted, free standing washers.
- Panels in skinplate.
- Easy to install, no need of fixation to the floor.
- CB and WRAS approved product. Option ETL.
- High spin washers with suspended drum.

### OPTIONS

- DQ-2 Dosing pump kit.
- Extra dosing pump DB-1.
- Double drain.
- Tropicalized model: protected board.
- Tilting options: frontal or double tilt.
- Auto Weight: automatic weighing sensor system on feet (Not available with tilting kits).
- Relay card with 6 extra dosing signals: up to 14 signals.
- Stainless steel AISI 304 outer casing.
- Double heating E+S.
- Maritime voltage for electric models: 440V III 50/60 Hz No neutral.



	U.	LA-60C TP2	LA-80C TP2		
<b>DRUM</b>					
Load capacity 1:9 / 1:10	Kg	65/59	85 / 77		
Volume	l	590	770		
Diameter	mm	1.048	1.048		
Depth	mm	680	892		
<b>GENERAL DETAILS</b>					
Washing speed / Spining speed	r.p.m.	38 / 875	38 / 875		
G Factor	-	450	450		
Maximum force transmitted	KN	18 ±4,2	23 ±4,8		
Frequency-dynamic force	Hz	12,66	12,66		
Noise level	dB	< 70	< 70		
Coin laundry version	-	No	No		
Double drain	-	Opt.	Opt.		
Weighing system / Tilting system	-	Opt.	Opt.		
SLUICE option	-	No	No		
<b>DOOR</b>					
Height door center / door base	mm	1.170 / 810	1.170 / 810		
Diameter	mm	560	560		
<b>POWER</b>					
Motor	kW	15	15		
Electric heating power	kW	36	48/36		
Total electric power (electric model)	kW	39	51/39		
Total electric power (hot water, steam)	kW	15	15		
<b>CONNECTIONS</b>		<b>ELECTRIC</b>	<b>STEAM/HOT WATER</b>	<b>ELECTRIC</b>	<b>STEAM/HOT WATER</b>
Tension 230V - III + T	Nº x mm2 / A	3x25+T / 100A	3X6+T - 40A	3x25+T / 100A	3X6+T - 40A
Tension 400V - III + N + T	Nº x mm2 / A	4x16+T / 63A	4x10+T - 50A	4x25+T / 80A	4x10+T / 50A
Steam inlet (Steam model)	inch	3/4"		3/4"	
Max. steam consumption (Steam model)	Kg/h	21		25	
Water inlet	inch	1"		1"	
Water main pressure	Kg/cm <sup>2</sup>	2-4		2-4	
Maximum water consumption	Lit/h	598		781	
Drain	mm/inch	3"		3"	
Drainage capacity	Lit/min	200		200	
<b>DIMENSIONS / PACKING DIMENSIONS</b>					
Net Width / Gross Width	mm	1.420 / 1.600		1.420 / 1.600	
Net Depth / Gross Depth	mm	1.433 / 1.595		1.645 / 1.805	
Net Height / Gross Height	mm	1.890 / 1.930		1.890 / 1.930	
Net weight / Gross weight	Kg	1.454 / 1.544		1.800 / 2.000	
Volume	m <sup>3</sup>	4,9		5,6	



\*\* Programme No. 2, 100% load

- |   |                              |
|---|------------------------------|
| 01. Soap dispenser                          | 10. Hot water inlet          |
| 02. Emergency stop                          | 11. Equipotential connection |
| 03. USB port                                | 12. Cold water inlet         |
| 04. Drain 1                                 | 13. Steam output             |
| 05. Drain 2                                 | 14. Liquid soap connection   |
| 06. Electric connection to liquid soap pump | 15. Steam connection         |
| 07. Electrical connection                   | 16. Air intake               |
| 08. Main switch                             | 17. Ethernet port            |
| 09. Auxiliar water inlet                    |                              |

	A	B	C	D	E	F	G	H	I	J	K	L	M	N	O	P	Q	R	S	T	U	V	W	X	Y	CGY	CGZ
LA-60C TP2	1.420	1.433	1.890	810	560	760	1.050	1.563	323	1.475	1.710	1.817	508	912	367	595	720	845	1.040	1.267	160	1.353	608	1.500	348	830	820
LA-80C TP2	1.420	1.645	1.890	810	560	972	1.050	1.563	323	1.475	1.710	1.817	508	912	367	595	720	845	1.040	1.267	160	1.353	608	1.500	348	830	925

	TA	TB	TC	TD	TE	TF	TG	TH	TI	TJ	TK	TL	TM	TN	TO
LA-60C TP2	1.145	1.157	226	799	190	110	265	722	215	300	565	2.095	2.266	410	422
LA-80C TP2	1.145	1.157	226	1.011	190	110	475	510	215	300	602	2.137	2.478	410	422



# WASHING

## HIGH SPIN WASHERS HIGH CAPACITY LA-100C/120C TP2

### CHARACTERISTICS

#### TP2

- User friendly and totally programmable 7".
- USB Connection. PC software free of charge for programming, traceability, data analysis.
- Videos on display (ads, instructions)
- 37 languages.
- 8 dosing signals as standard.

#### G FACTOR

- High G-FACTOR 350.

#### EFFICIENCY

- Intelligent consumption.
- Optimal loading.
- Water Recovery tanks ready: KRS.
- Low water consumption.

#### VERSATILITY

- Electric < > Hot water.
- Wet cleaning features.

#### CONNECTIVITY

- IoT - FagorKonnnect standard.
- Remote technical service.
- Management of laundries: OPL.
- Remote payment.

#### ERGONOMICS

- Biggest door diameters: Ø700.
- Easy opening/closing system for door lock.

#### MAINTENANCE

- Equivalent parts for all models: contactors, electronic devices, gear.
- Technical menu: traceability, error diagnosis.

#### OTHERS

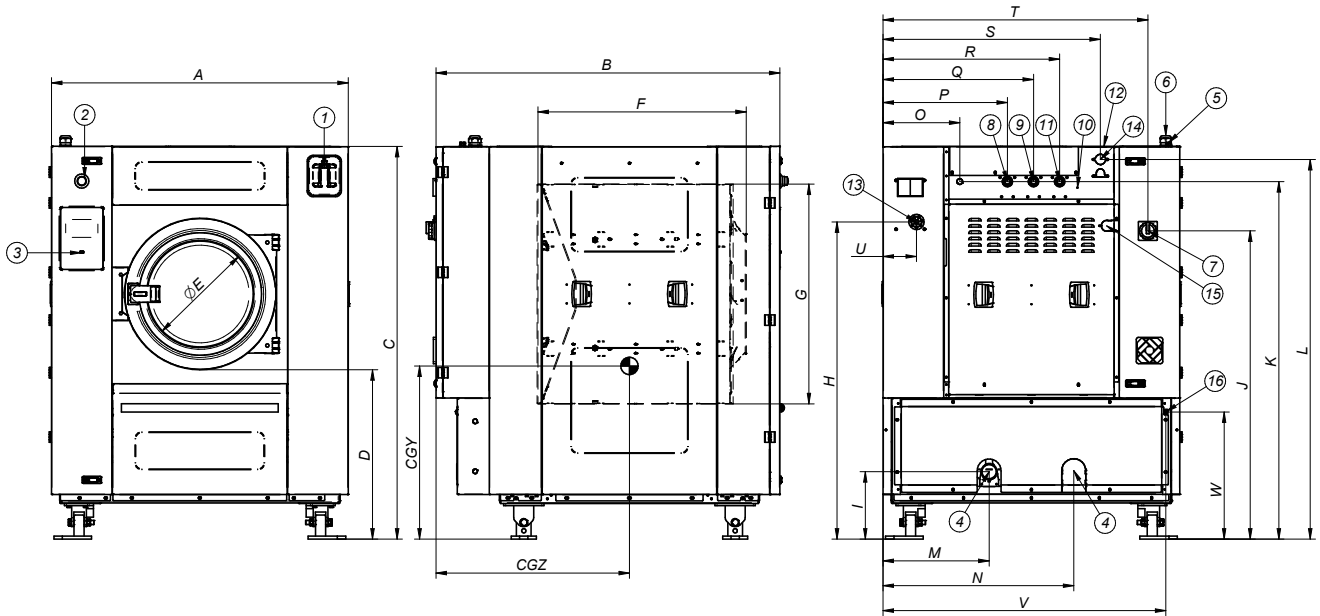
- Drum and tub in stainless steel AISI 304.
- 3 water inlets.
- Air inlet.
- Soft mounted, free standing washers.
- Panels in skinplate.
- Easy to install, no need of fixation to the floor.
- CB and WRAS approved product. Option ETL.
- High spin washers with suspended drum.

### OPTIONS

- DQ-2 Dosing pump kit.
- Extra dosing pump DB-1.
- Double drain.
- Tropicalized model: protected board.
- Tilting options: frontal or double tilt.
- Auto Weight: automatic weighing sensor system on feet (Not available with tilting kits).
- Relay card with 6 extra dosing signals: up to 14 signals.
- Stainless steel AISI 304 outer casing.
- Double heating E+S.
- Maritime voltage for electric models: 440V III 50/60 Hz No neutral.



	U.	LA-100C	LA-120C
<b>DRUM</b>			
Load capacity 1:9 / 1:10	Kg	105/95	130/115
Volume	l	950	1.150
Diameter	mm	1.360	1.360
Depth	mm	637	775
<b>GENERAL DETAILS</b>			
Washing speed / Spinning speed	r.p.m.	34 / 678	34 / 678
G Factor	-	350	350
Maximum force transmitted	KN	37,77 ±5,25	37,77 ±5,25
Frequency-dynamic force	Hz	11,33	11,33
Noise level	dB	<70	<70
Coin laundry version	-	No	No
Double drain	-	Opt.	Opt.
Weighing System / Tilting System	-	Opt.	Opt.
SLUICE option	-	No	No
<b>DOOR</b>			
Height center door / Height door	mm	1.330/900	1.330/900
Diameter	mm	700	700
<b>POWER</b>			
Motor	kW	15	15
Electric heating power	kW	-	-
Total electric power (electric model)	kW	-	-
Total electric power (hw, steam mod.)	kW	15	15
<b>CONNECTIONS</b>		<b>STEAM/HOT WATER</b>	<b>STEAM/HOT WATER</b>
Tension 230V - III + T	Nº x mm2 / A	3x16+T / 63A	3x16+T / 63A
Tension 400V - III + N + T	Nº x mm2 / A	4x6+T / 40A	4x6+T / 40A
Steam inlet (Steam model)	inch	1-1/4"	1-1/4"
Maximum steam consumption (Steam model)	Kg/h	26,5	26,5
Water inlet	inch	1-1/2"	1-1/2"
Water main pressure	Kg/cm <sup>2</sup>	2-4	2-4
Maximum water consumption	Lit/h	1.058**	1.254**
Air inlet	Kg/cm <sup>2</sup>	4	4
Drain	mm/inch	4"	4"
Drainage capacity	Lit/min	500	500
<b>DIMENSIONS / PACKING DIMENSIONS</b>			
Net Width / Gross Width	mm	1.836/1.940	1.836/1.940
Net Depth / Gross Depth	mm	1.710/2.030	1.832/2.030
Net Height / Gross Height	mm	2.245/2.290	2.245/2.290
Net weight / Gross weight	Kg	2.300/2.600	2.762/3.058
Volume	m <sup>3</sup>	9	9



\*\* Programme No. 2, 100% load

- 01. Soap dispenser
- 02. Emergency stop
- 03. USB port
- 04. Drain 1
- 05. Drain 2
- 06. Electric connection to liquid soap pump
- 07. Electrical connection
- 08. Main switch
- 09. Auxiliar water inlet

- 10. Hot water inlet
- 11. Equipotential connection
- 12. Cold water inlet
- 13. Steam output
- 14. Liquid soap connection
- 15. Steam connection
- 16. Air intake
- 17. Ethernet port

	A	B	C	D	E	F	G	H	I	J	K	L	M	N	O	P	Q	R	S	T	U	V	W	Y	Z	CGY	CGZ	
LA-100C	mm	1.836	1.710	2.245	945	700	792	1.350	1.740	336	1.781	2.038	2.110	1.095	1.092	494	634	774	954	994	1.239	1.646	165	2.049	2.050	717	853	1.025
LA-120C	mm	1.836	1.832	2.245	945	700	930	1.350	1.740	336	1.781	2.038	2.110	1.095	1.092	494	634	774	954	994	1.239	1.646	165	2.049	2.050	717	853	1.130

	TA	TB	TC	TD	TE	TF	TG	TH	TI	TJ	TK	TL	TM	TN	TO
LA-100C	1.765	1.615	200	1.161	190	110	375	806	210	330	667	2.504	2.636	496	491
LA-120C	1.765	1.615	200	1.344	190	110	375	990	254	330	662	2.465	2.672	419	423