



WATER  
RECOVERY  
—

## WATER RECOVERY TANKS KRS

WREC-80/150 T1/T2/T3

### CHARACTERISTICS

#### EFFICIENCY

- Up to 70 % water savings
- Detergents savings

#### EASY INSTALLATION & MAINTENANCE

- Plug and play
- Requires little space
- Self-cleaning tanks with preset programs (with washers equipped with TP2 control)
- Tanks easy to remove and clean

#### OTHERS

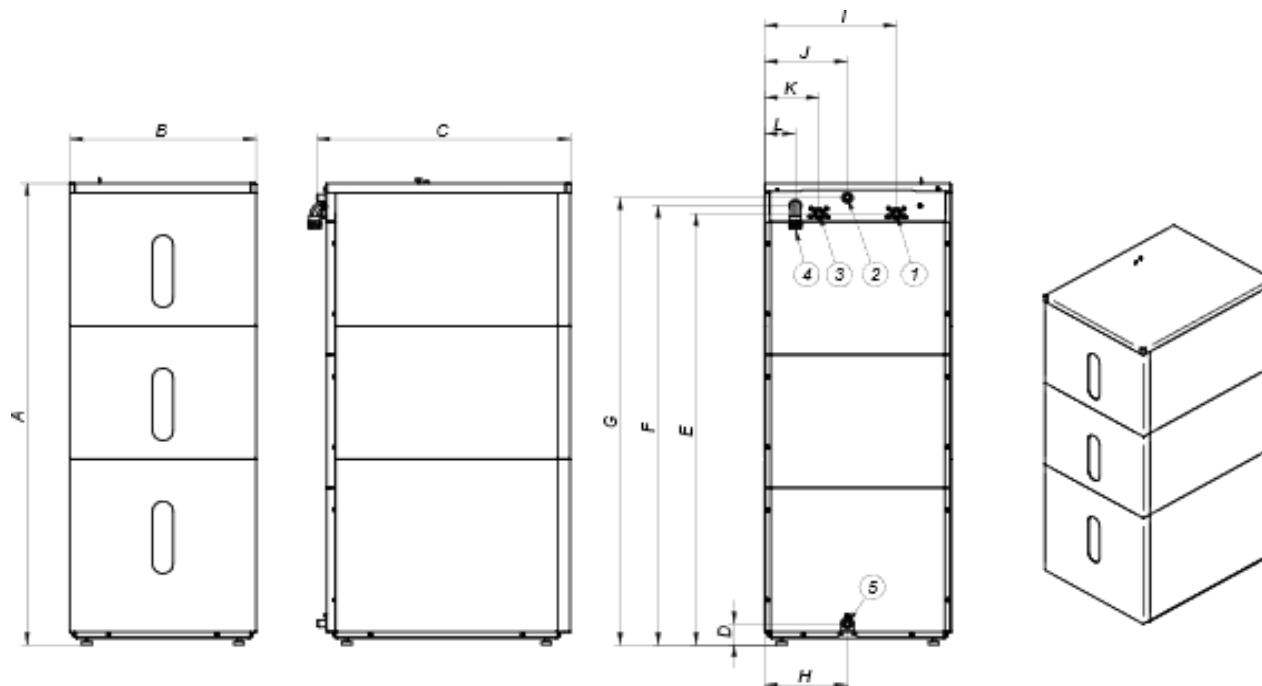
- 1, 2 or 3 tanks
- Grey skinplate panels
- High density polyethylene tanks
- 2 water level sensors in each tank
- 80 lt tanks for washers from 11 to 18 kg
- 150 lts tanks for washers from 25 to 45 kg
- Capacity to recover up to 70% of water.



TECHNICAL DATA

WATER RECOVERY TANKS | KRS | WREC-80/150 T1/T2/T3

	UNIT.	WREC-80 T1	WREC-80 T2	WREC-80 T3	WREC-150 T1	WREC 150 T2	WREC-150 T3
<b>TANKS</b>							
Tanks	Lts	80*1	80*2	80*3	150*1	150*2	150*3
Washers capacities:	kg						
-Front		11, 14, 18	11, 14, 18	11, 14, 18	25, 45	25, 45	25, 45
-Barrier		16, 22	16, 22	16, 22	27, 35	27, 35	27, 35
External panels	-	skinplate	skinplate	skinplate	skinplate	skinplate	skinplate
Tank material	-	polyethylene	polyethylene	polyethylene	polyethylene	polyethylene	polyethylene
<b>CONNECTIONS</b>							
Water inlet	inch	3/4	3/4	3/4	3/4	3/4	3/4
Water outlet	inch	3/4	3/4	3/4	3/4	3/4	3/4
Fumes outlet	mm	21	21	21	21	21	21
Drain Ø	mm	21	21	21	21	21	21
<b>DIMENSIONS / PACKING DIMENSIONS</b>							
Net Width / Gross Width	mm	551 / 600	551 / 600	551 / 600	551 / 600	551 / 600	551 / 600
Net Depth / Gross Depth	mm	752 / 800	752 / 800	752 / 800	1.302 / 1.350	1.302 / 1.350	1.302 / 1.350
Net Height / Gross Height	mm	575 / 720	977 / 1.122	1.379 / 1.524	575 / 720	977 / 1.122	1.379 / 1.524
Net weight / Gross weight	kg	55 / 75	90 / 115	125 / 155	65 / 85	110 / 135	145 / 175
Volume	m3	0,24 / 0,34	0,40 / 0,54	0,57 / 0,73	0,41 / 0,58	0,70 / 0,91	0,99 / 1,23



- 01. Fumes outlet (Recuperator> washer)
- 02. Fumes outlet
- 03. Water inlet (Washer > Recuperator)

- 04. Electric connection
- 05. Overflow

	A	B	C	D	E	F	G	H	I	J	K	L
WREC-80 T1	607	551	770	66	515	540	565	305	161	305	390	460
WREC-80 T2	1022	551	770	66	930	955	980	305	161	305	390	460
WREC-80 T3	1438	551	770	66	1345	1370	1395	305	161	305	390	460
WREC-150 T1	607	551	1320	66	515	540	565	305	161	305	390	460
WREC-150 T2	1022	551	1320	66	930	955	980	305	161	305	390	460
WREC-150 T3	1438	551	1320	66	1345	1370	1395	305	151	305	1390	460



## WATER RECOVERY

## WATER RECOVERY TANKS KRS WREC-1000



### CHARACTERISTICS

#### EFFICIENCY

- Up to 68% water savings
- Up to 45% energy savings

#### EASY INSTALLATION & MAINTENANCE

- Easy connection with 1" valve
- Self cleaning programs
- The tanks have holes to be able to fix them to the ground

#### OTHERS

- 1, 2 or 3 tanks of 1000 liters each.
- One or more washing machines can be connected to be able to reuse the washing water.
- They are sold separately.
- No external panels, just the frame.

### MACHINES THAN CAN BE CONNECTED

- Up to 8\* 35/45kg washers
- Up to 4\* 60/80kg washers
- Up to 3\* 100/120kg washers



