



WATER  
RECOVERY

WATER RECOVERY TANKS  
KRS  
WREC-80 T1

## CHARACTERISTICS

### EFFICIENCY

- Up to 70% water savings.
- Up to 40% energy savings.
- Detergents savings.

### EASY INSTALLATION & MAINTENANCE

- Plug and play.
- Requires little space.
- Self-cleaning tanks with preset programs (with washers equipped with TP2 control).
- Tanks easy to remove and clean.
- 

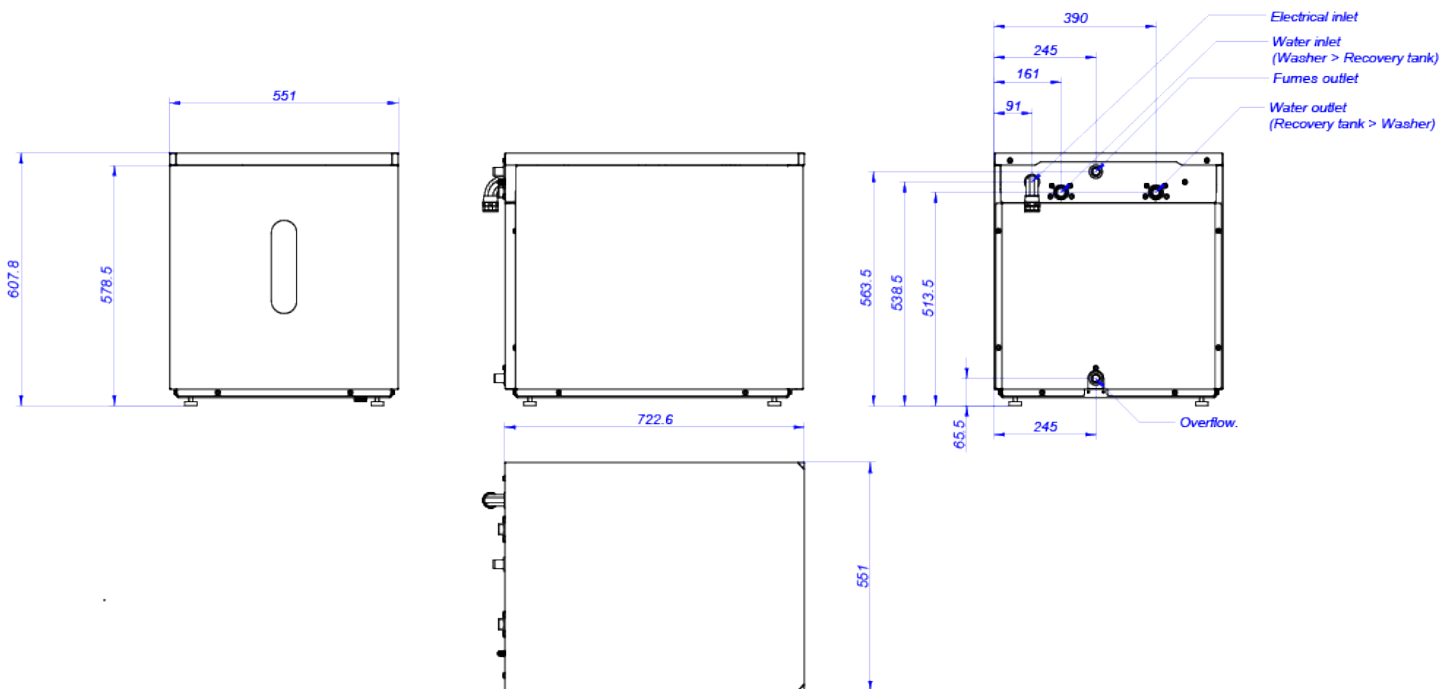
### OTHERS

- 1, 2 or 3 tanks.
- Grey skinplate panels.
- High density polyethylene tanks.
- 2 water level sensors in each tank
- 80 lt tanks for washers from 11 to 22 kg.
- 150 lts tanks for washers from 28 to 35 kg.



TECHNICAL DATA  
 WATER RECOVERY TANKS | KRS | WREC-80 T1

	UNIT.	WREC-80 T1
<b>TANKS</b>		
Tanks	L	80*1
Washers capacities:front / barrier	Kg	11, 14, 18 / 16, 22
External panels	-	skinplate
Tank material	-	polyethylene
<b>CONNECTIONS</b>		
Water inlet	inch	3/4"
Water outlet	inch	3/4"
Fumes outlet	mm	21
Drain Ø	mm	21
<b>DIMENSIONS / PACKING DIMENSIONS</b>		
Net width / Gross width	mm	551 / 600
Net depth / Gross depth	mm	752 / 800
Net height / Gross height	mm	575 / 720
Net weight / Gross weight	Kg	55 / 75
Volume	m <sup>3</sup>	0,24 / 0,34





WATER  
RECOVERY

WATER RECOVERY TANKS  
KRS  
WREC-80 T2

## CHARACTERISTICS

### EFFICIENCY

- Up to 70% water savings.
- Up to 40% energy savings.
- Detergents savings.

### EASY INSTALLATION & MAINTENANCE

- Plug and play.
- Requires little space.
- Self-cleaning tanks with preset programs (with washers equipped with TP2 control).
- Tanks easy to remove and clean.
- 

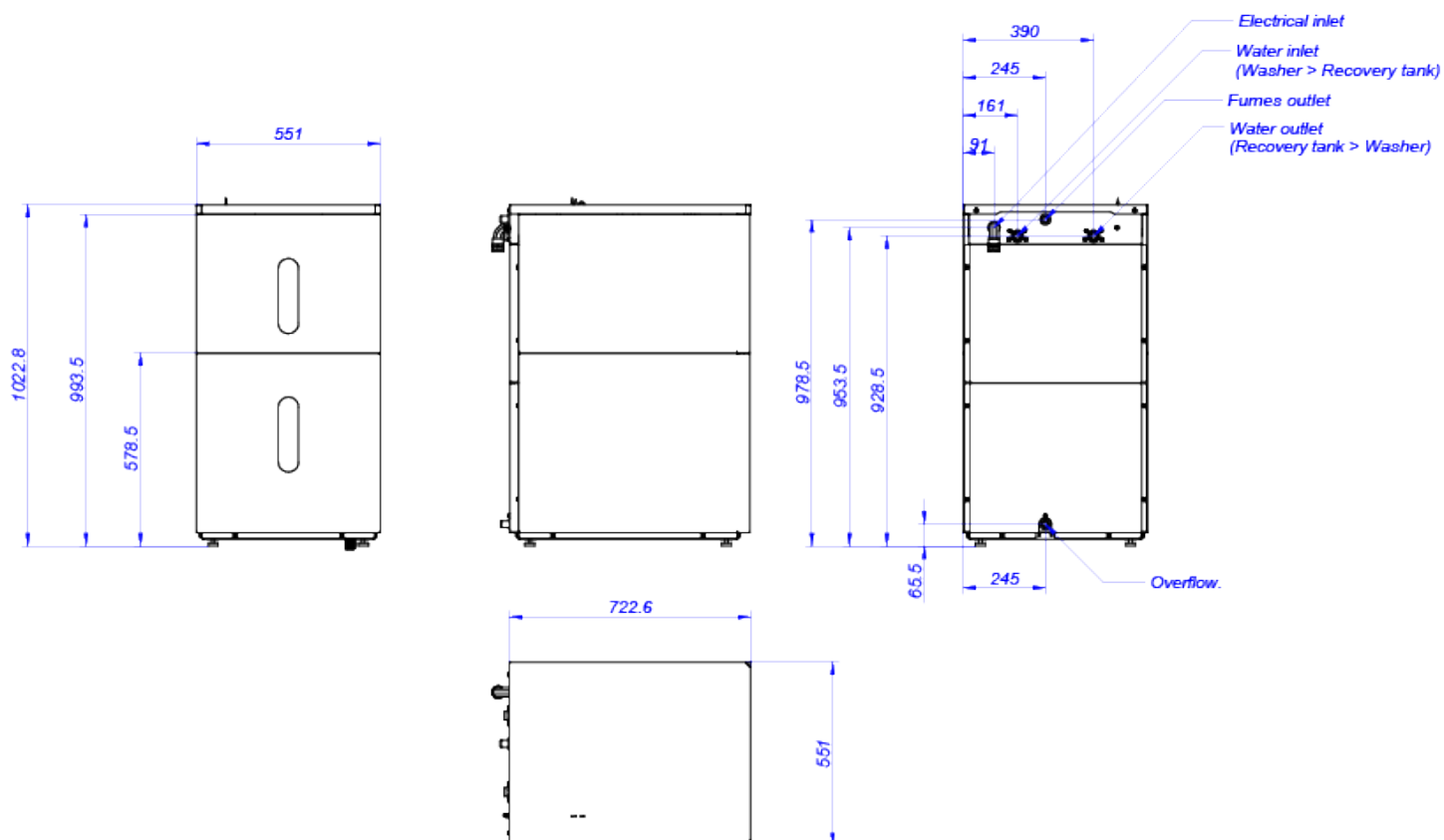
### OTHERS

- 1, 2 or 3 tanks.
- Grey skinplate panels.
- High density polyethylene tanks.
- 2 water level sensors in each tank.
- 80 lt tanks for washers from 11 to 22 kg.
- 150 lts tanks for washers from 28 to 35 kg.



TECHNICAL DATA  
 WATER RECOVERY TANKS | KRS | WREC-80 T2

	UNIT.	WREC-80 T2
<b>TANKS</b>		
Tanks	L	80*2
Washers capacities: front / barrier	Kg	11, 14, 18 / 16, 22
External panels	-	skinplate
Tank material	-	polyethylene
<b>CONNECTIONS</b>		
Water inlet	inch	3/4"
Water outlet	inch	3/4"
Fumes outlet	mm	21
Drain Ø	mm	21
<b>DIMENSIONS / PACKING DIMENSIONS</b>		
Net width / Gross width	mm	551 / 600
Net depth / Gross depth	mm	752 / 800
Net height / Gross height	mm	977 / 1.122
Net weight / Gross weight	Kg	90 / 115
Volume	m <sup>3</sup>	0,40 / 0,54





WATER  
RECOVERY

WATER RECOVERY TANKS  
KRS  
WREC-80 T3

## CHARACTERISTICS

### EFFICIENCY

- Up to 70% water savings.
- Up to 40% energy saving.
- Detergents savings.

### EASY INSTALLATION & MAINTENANCE

- Plug and play.
- Requires little space.
- Self-cleaning tanks with preset programs (with washers equipped with TP2 control).
- Tanks easy to remove and clean.
- 

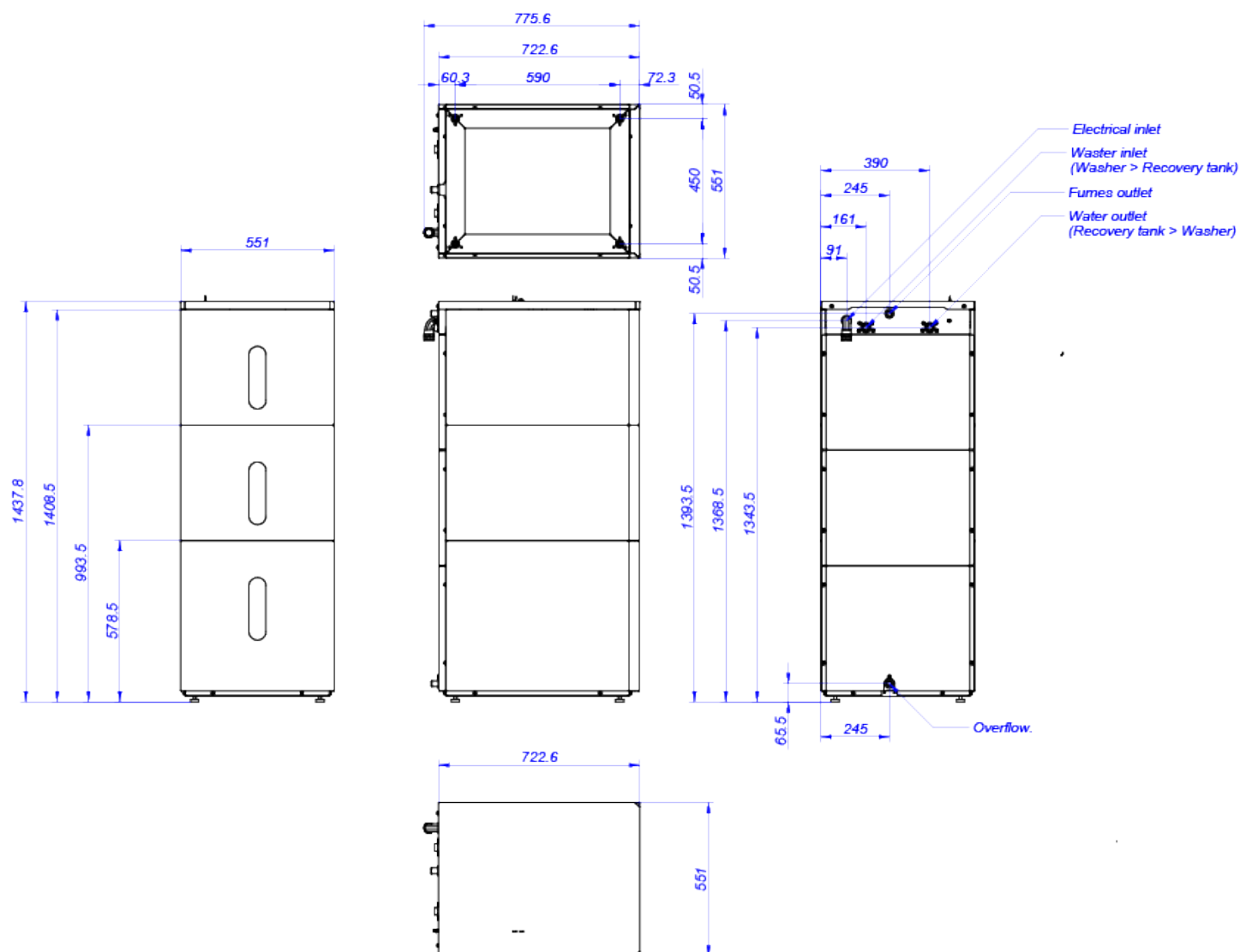
### OTHERS

- 1, 2 or 3 tanks-
- Grey skinplate panels-
- High density polyethylene tanks-
- 2 water level sensors in each tank-
- 80 lt tanks for washers from 11 to 22 kg.
- 150 lts tanks for washers from 28 to 35 kg.



TECHNICAL DATA  
 WATER RECOVERY TANKS | KRS | WREC-80 T3

	UNIT.	WREC-80 T3
<b>TANKS</b>		
Tanks	L	80*3
Washers capacities: front / barrier	Kg	11, 14, 18 / 16, 22
External panels	-	skinplate
Tank material	-	polyethylene
<b>CONNECTIONS</b>		
Water inlet	inch	3/4"
Water outlet	inch	3/4"
Fumes outlet	mm	21
Drain Ø	mm	21
<b>DIMENSIONS / PACKING DIMENSIONS</b>		
Net width / Gross width	mm	551 / 600
Net depth / Gross depth	mm	752 / 800
Net height / Gross height	mm	1.379 / 1.524
Net weight / Gross weight	Kg	125 / 155
Volume	m <sup>3</sup>	0,57 / 0,73





WATER  
RECOVERY

WATER RECOVERY TANKS  
KRS  
WREC-150 T1

## CHARACTERISTICS

### EFFICIENCY

- Up to 70% water savings.
- Up to 40% energy savings.
- Detergents savings.

### EASY INSTALLATION & MAINTENANCE

- Plug and play.
- Requires little space.
- Self-cleaning tanks with preset programs (with washers equipped with TP2 control).
- Tanks easy to remove and clean.

•

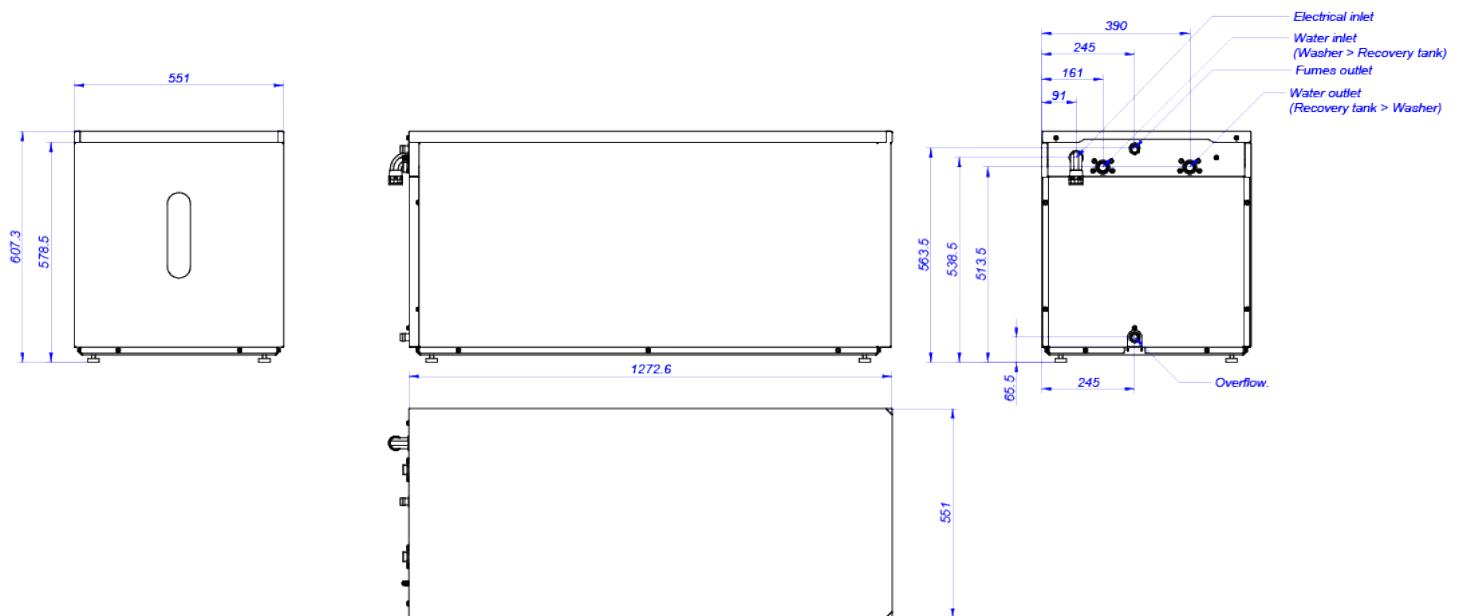
### OTHERS

- 1, 2 or 3 tanks.
- Grey skinplate panels.
- High density polyethylene tanks.
- 2 water level sensors in each tank.
- 80 lt tanks for washers from 11 to 22 kg.
- 150 lts tanks for washers from 28 to 35 kg.



TECHNICAL DATA  
 WATER RECOVERY TANKS | KRS | WREC-150 T1

	UNIT.	WREC-150 T1
<b>TANKS</b>		
Tanks	L	150*1
Washers capacities: front / barrier	Kg	27, 36 / 27, 35
External panels	-	skinplate
Tank material	-	polyethylene
<b>CONNECTIONS</b>		
Water inlet	inch	3/4"
Water outlet	inch	3/4"
Fumes outlet	mm	21
Drain Ø	mm	21
<b>DIMENSIONS / PACKING DIMENSIONS</b>		
Net width / Gross width	mm	551 / 600
Net depth / Gross depth	mm	1.302 / 1.350
Net height / Gross height	mm	575 / 720
Net weight / Gross weight	Kg	65 / 85
Volume	m <sup>3</sup>	0,41 / 0,58







WATER  
RECOVERY

WATER RECOVERY TANKS  
KRS  
WREC-150 T2

## CHARACTERISTICS

### EFFICIENCY

- Up to 70% water savings.
- Up to 40% energy savings.
- Detergents savings.

### EASY INSTALLATION & MAINTENANCE

- Plug and play.
- Requires little space.
- Self-cleaning tanks with preset programs (with washers equipped with TP2 control).
- Tanks easy to remove and clean.

•

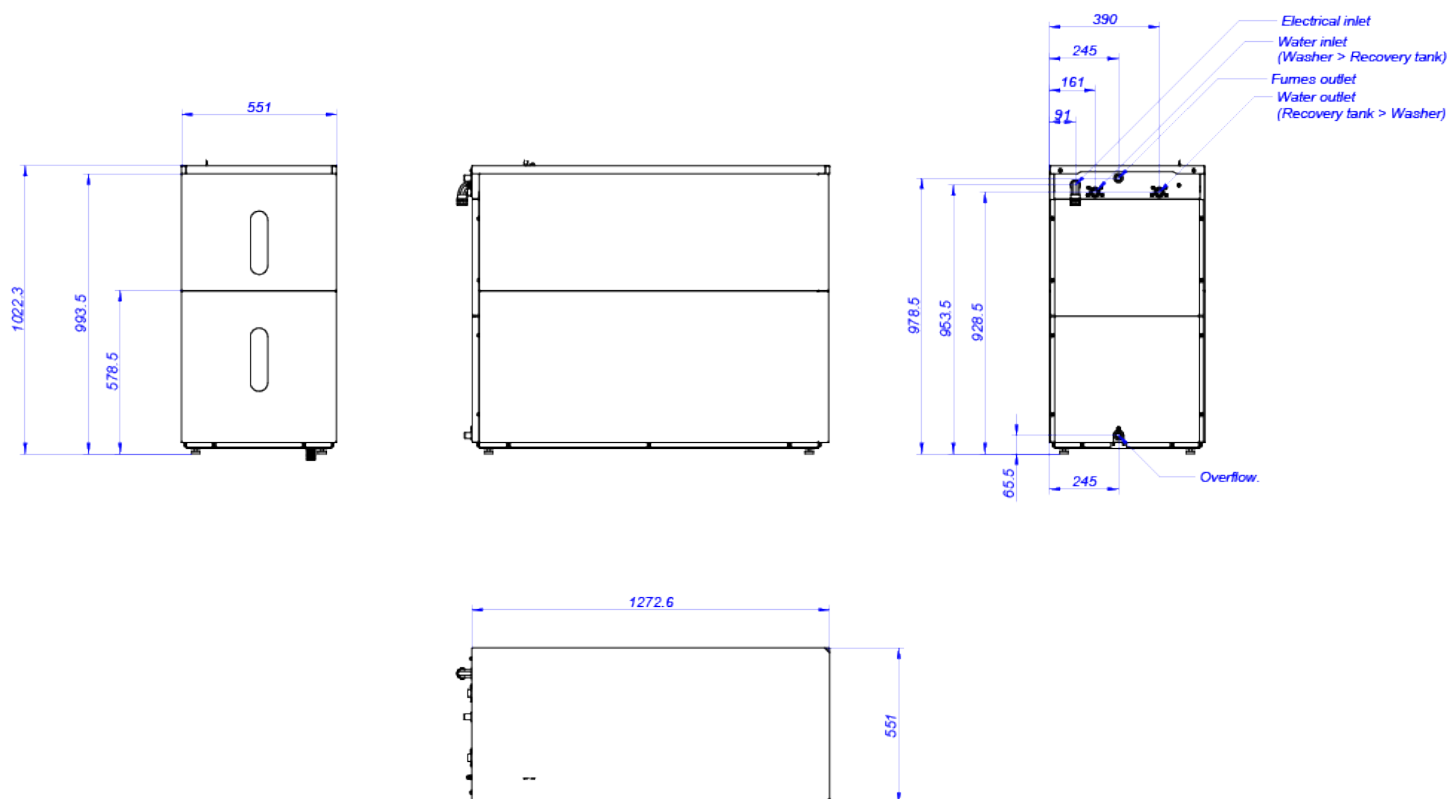
### OTHERS

- 1, 2 or 3 tanks.
- Grey skinplate panels.
- High density polyethylene tanks.
- 2 water level sensors in each tank.
- 80 lt tanks for washers from 11 to 22 kg.
- 150 lts tanks for washers from 28 to 35 kg.



TECHNICAL DATA  
 WATER RECOVERY TANKS | KRS | WREC-150 T2

	UNIT.	WREC 150 T2
<b>TANKS</b>		
Tanks	L	150*2
Washers capacities: front / barrier	Kg	27, 36 / 27, 35
External panels	-	skinplate
Tank material	-	polyethylene
<b>CONNECTIONS</b>		
Water inlet	inch	3/4"
Water outlet	inch	3/4"
Fumes outlet	mm	21
Drain Ø	mm	21
<b>DIMENSIONS / PACKING DIMENSIONS</b>		
Net width / Gross width	mm	551 / 600
Net depth / Gross depth	mm	1.302 / 1.350
Net height / Gross height	mm	977 / 1.122
Net weight / Gross weight	Kg	110 / 135
Volume	m <sup>3</sup>	0,70 / 0,91





WATER  
RECOVERY

WATER RECOVERY TANKS  
KRS  
WREC-150 T3

## CHARACTERISTICS

### EFFICIENCY

- Up to 70% water savings.
- Up to 40% energy savings.
- Detergents savings.

### EASY INSTALLATION & MAINTENANCE

- Plug and play.
- Requires little space.
- Self-cleaning tanks with preset programs (with washers equipped with TP2 control).
- Tanks easy to remove and clean.
- 

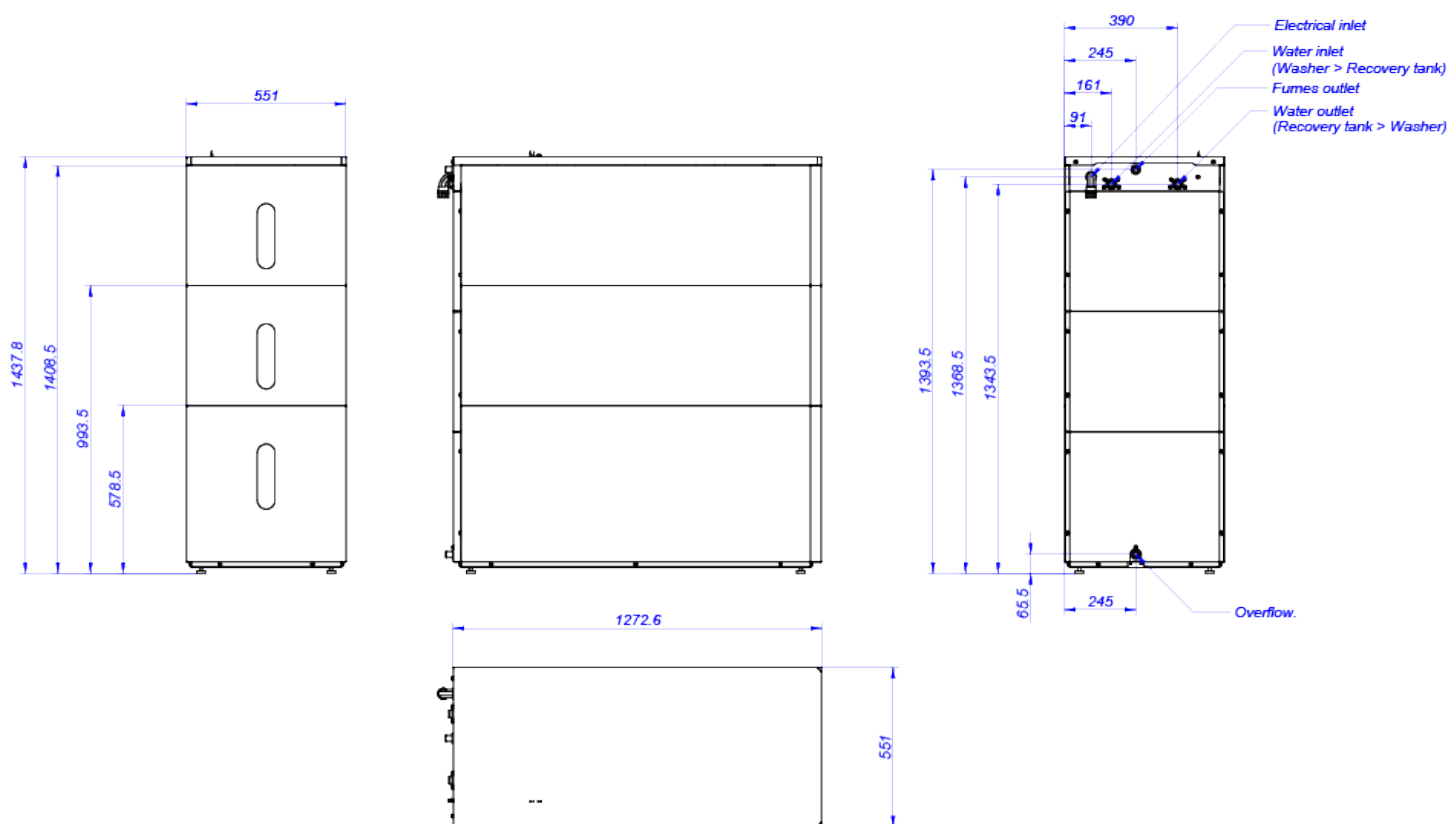
### OTHERS

- 1, 2 or 3 tanks.
- Grey skinplate panels.
- High density polyethylene tanks.
- 2 water level sensors in each tank.
- 80 lt tanks for washers from 11 to 22 kg.
- 150 lts tanks for washers from 28 to 35 kg.



TECHNICAL DATA  
 WATER RECOVERY TANKS | KRS | WREC-150 T3

	UNIT.	WREC-150 T3
<b>TANKS</b>		
Tanks	L	150*3
Washers capacities: front / barrier	Kg	27, 36 / 27, 35
External panels	-	skinplate
Tank material	-	polyethylene
<b>CONNECTIONS</b>		
Water inlet	inch	3/4"
Water outlet	inch	3/4"
Fumes outlet	mm	21
Drain Ø	mm	21
<b>DIMENSIONS / PACKING DIMENSIONS</b>		
Net width / Gross width	mm	551 / 600
Net depth / Gross depth	mm	1.302 / 1.350
Net height / Gross height	mm	1.379 / 1.524
Net weight / Gross weight	Kg	145 / 175
Volume	m <sup>3</sup>	0,99 / 1,23





## WATER RECOVERY

## WATER RECOVERY TANKS KRS WREC-1000



### CHARACTERISTICS

#### EFFICIENCY

- Up to 70% water savings.
- Up to 40% energy savings.
- Savings in detergents.

#### EASY INSTALLATION & MAINTENANCE

- Easy connection with 1" valve.
- Self cleaning programs.
- The tanks have holes to be able to fix them to the ground.
- 

#### OTHERS

- 1, 2 or 3 tanks of 1000 litres each.
- One or more washing machines can be connected to be able to reuse the washing water.
- Sold separately.
- No external panels, just the frame.

### OPTIONS

- WREC-1000 Connection kit for one machine 60/80C.

### MACHINES THAN CAN BE CONNECTED

- Up to 8 of 35/45 kg washers
- Up to 4 of 60/80 kg washers
- Up to 3 of 100/120 kg washers



