



WATER RECOVERY

WATER RECOVERY TANKS KRS WREC-80 T1

CHARACTERISTICS

EFFICIENCY

- Up to 70% water savings.
- Up to 40% energy savings.
- Detergents savings.

EASY INSTALLATION & MAINTENANCE

- Plug and play.
- Requires little space.
- Self-cleaning tanks with preset programs (with washers equipped with TP2 control).
- Tanks easy to remove and clean.

OTHERS

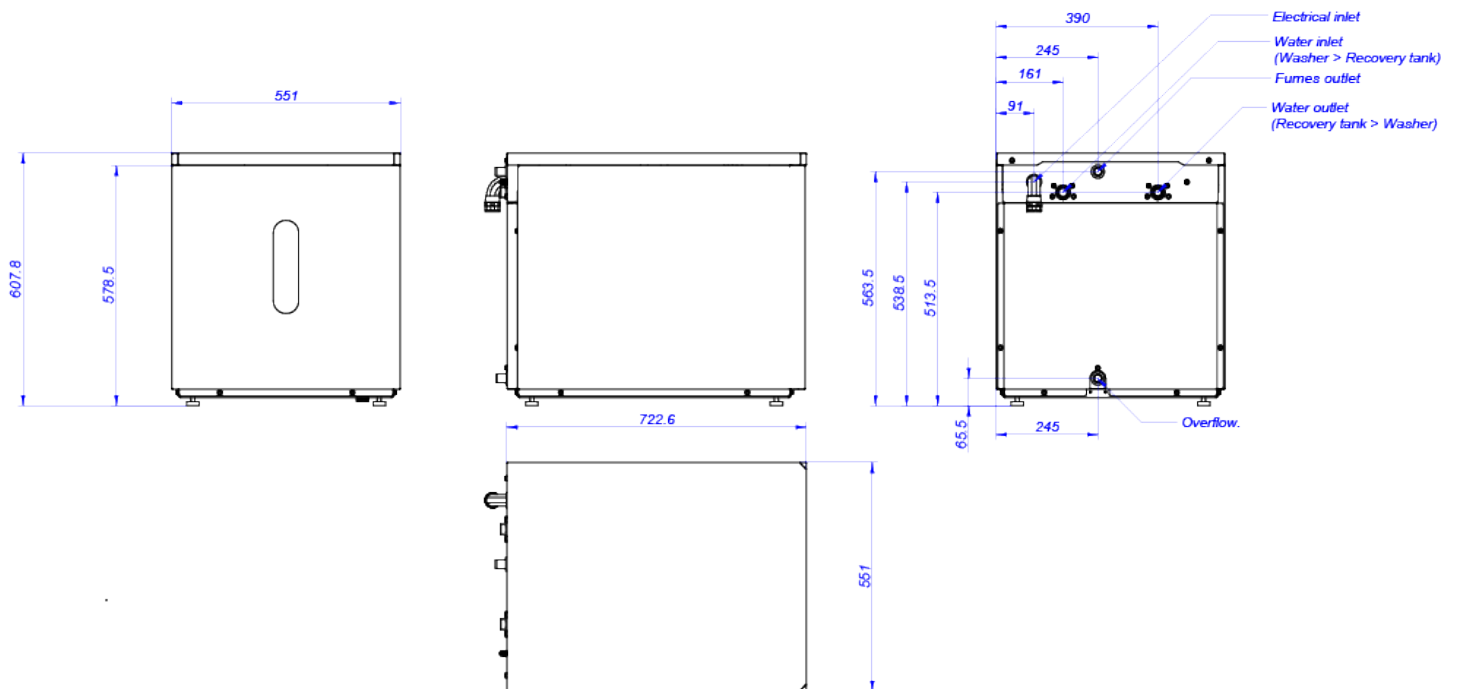
- 1, 2 or 3 tanks.
- Grey skinplate panels.
- High density polyethylene tanks.
- 2 water level sensors in each tank
- 80 lt tanks for washers from 11 to 22 kg.
- 150 lts tanks for washers from 28 to 35 kg.



TECHNICAL DATA

WATER RECOVERY TANKS | KRS | WREC-80 T1

	U.	WREC-80 T1
TANKS		
Tanks	l	80*1
Washers capacities:front / barrier	Kg	11, 14, 18 / 16, 22
External panels	-	skinplate
Tank material	-	polyethylene
CONNECTIONS		
Water inlet	inch	3/4"
Water outlet	inch	3/4"
Fumes outlet	mm	21
Drain Ø	mm	21
DIMENSIONS / PACKING DIMENSIONS		
Net width / Gross width	mm	551 / 600
Net depth / Gross depth	mm	752 / 800
Net height / Gross height	mm	575 / 720
Net weight / Gross weight	Kg	55 / 75
Volume	m ³	0,24 / 0,34





WATER RECOVERY

WATER RECOVERY TANKS KRS WREC-80 T2

CHARACTERISTICS

EFFICIENCY

- Up to 70% water savings.
- Up to 40% energy savings.
- Detergents savings.

EASY INSTALLATION & MAINTENANCE

- Plug and play.
- Requires little space.
- Self-cleaning tanks with preset programs (with washers equipped with TP2 control).
- Tanks easy to remove and clean.

OTHERS

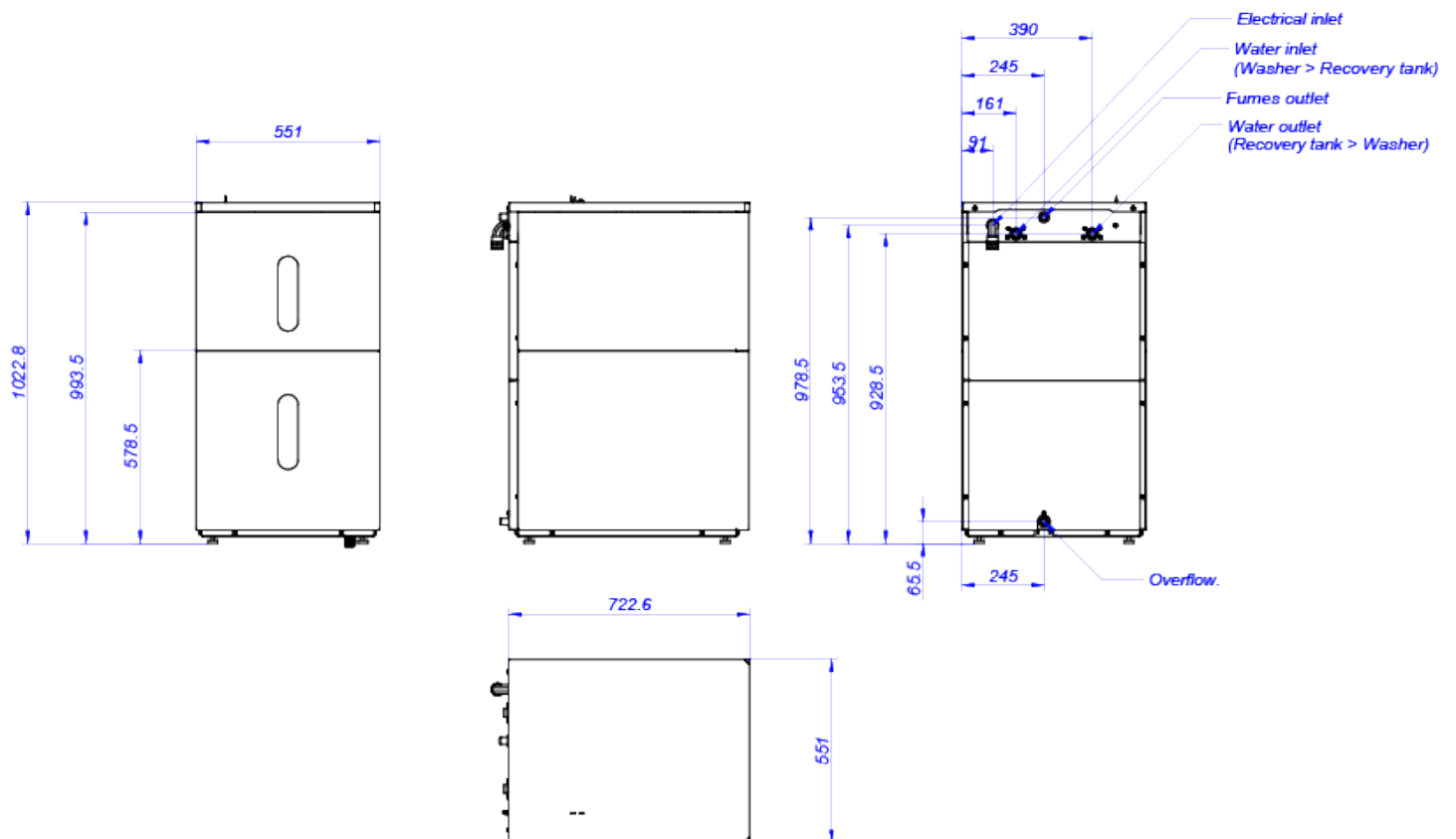
- 1, 2 or 3 tanks.
- Grey skinplate panels.
- High density polyethylene tanks.
- 2 water level sensors in each tank.
- 80 lt tanks for washers from 11 to 22 kg.
- 150 lts tanks for washers from 28 to 35 kg.



TECHNICAL DATA

WATER RECOVERY TANKS | KRS | WREC-80 T2

	U.	WREC-80 T2
TANKS		
Tanks	1	80*2
Washers capacities: front / barrier	Kg	11, 14, 18 / 16, 22
External panels	-	skinplate
Tank material	-	polyethylene
CONNECTIONS		
Water inlet	inch	3/4"
Water outlet	inch	3/4"
Fumes outlet	mm	21
Drain Ø	mm	21
DIMENSIONS / PACKING DIMENSIONS		
Net width / Gross width	mm	551 / 600
Net depth / Gross depth	mm	752 / 800
Net height / Gross height	mm	977 / 1.122
Net weight / Gross weight	Kg	90 / 115
Volume	m ³	0,40 / 0,54





WATER
RECOVERY

WATER RECOVERY TANKS
KRS
WREC-80 T3

CHARACTERISTICS

EFFICIENCY

- Up to 70% water savings.
- Up to 40% energy saving.
- Detergents savings.

EASY INSTALLATION & MAINTENANCE

- Plug and play.
- Requires little space.
- Self-cleaning tanks with preset programs (with washers equipped with TP2 control).
- Tanks easy to remove and clean.

OTHERS

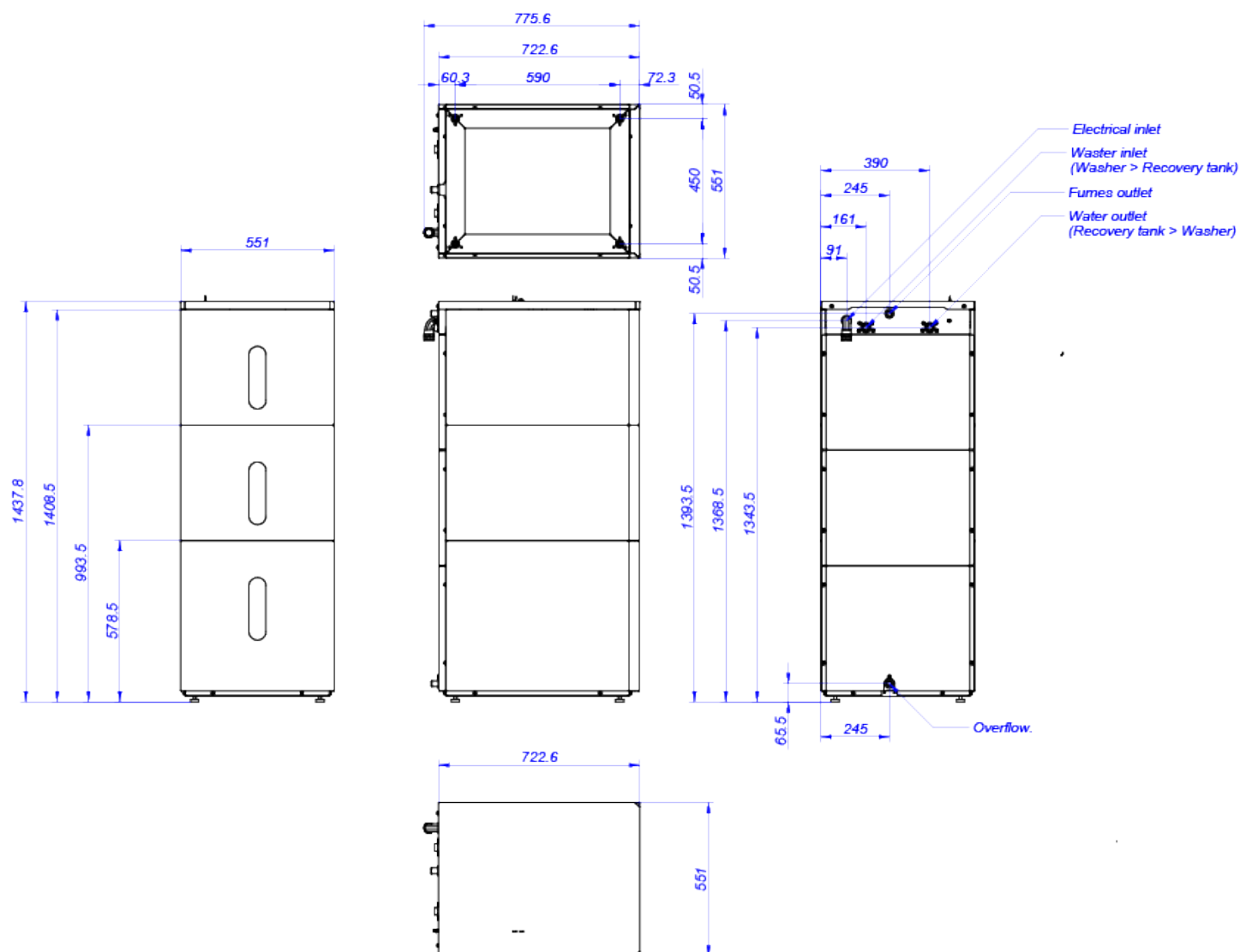
- 1, 2 or 3 tanks-
- Grey skinplate panels-
- High density polyethylene tanks-
- 2 water level sensors in each tank-
- 80 lt tanks for washers from 11 to 22 kg.
- 150 lts tanks for washers from 28 to 35 kg.



TECHNICAL DATA

WATER RECOVERY TANKS | KRS | WREC-80 T3

	U.	WREC-80 T3
TANKS		
Tanks	l	80*3
Washers capacities: front / barrier	Kg	11, 14, 18 / 16, 22
External panels	-	skinplate
Tank material	-	polyethylene
CONNECTIONS		
Water inlet	inch	3/4"
Water outlet	inch	3/4"
Fumes outlet	mm	21
Drain Ø	mm	21
DIMENSIONS / PACKING DIMENSIONS		
Net width / Gross width	mm	551 / 600
Net depth / Gross depth	mm	752 / 800
Net height / Gross height	mm	1.379 / 1.524
Net weight / Gross weight	Kg	125 / 155
Volume	m ³	0,57 / 0,73





WATER RECOVERY

WATER RECOVERY TANKS KRS WREC-150 T1

CHARACTERISTICS

EFFICIENCY

- Up to 70% water savings.
- Up to 40% energy savings.
- Detergents savings.

EASY INSTALLATION & MAINTENANCE

- Plug and play.
- Requires little space.
- Self-cleaning tanks with preset programs (with washers equipped with TP2 control).
- Tanks easy to remove and clean.

OTHERS

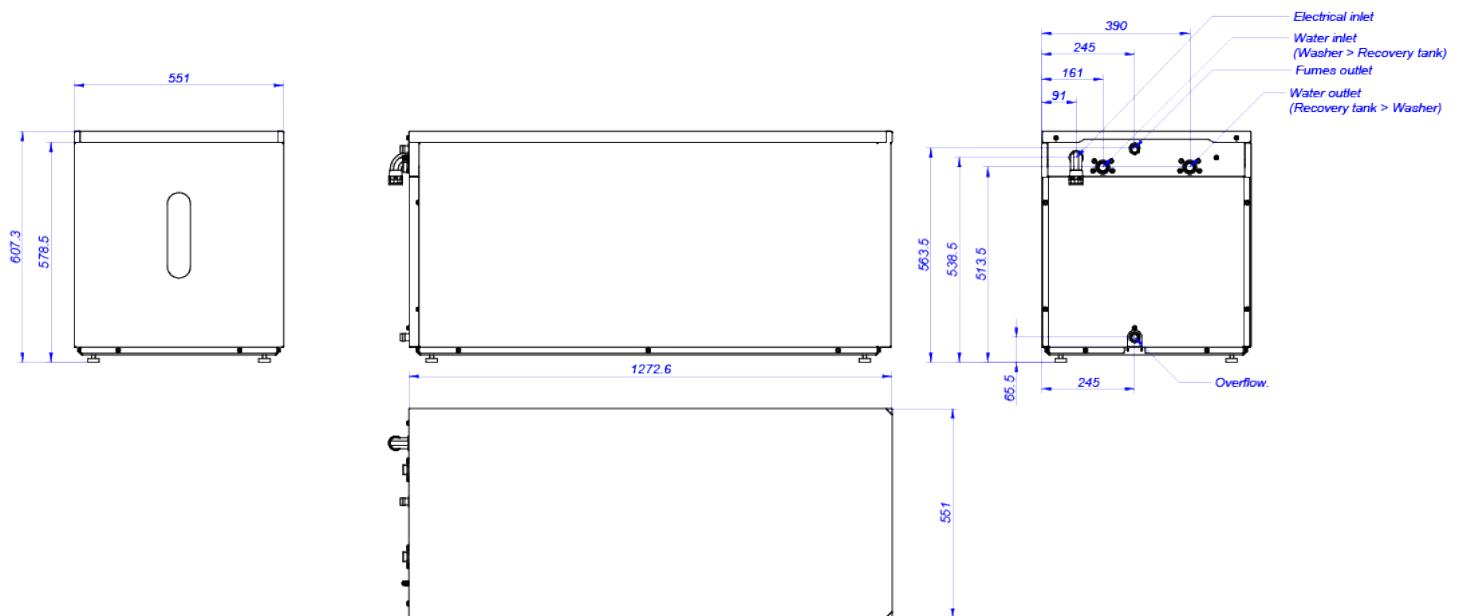
- 1, 2 or 3 tanks.
- Grey skinplate panels.
- High density polyethylene tanks.
- 2 water level sensors in each tank.
- 80 lt tanks for washers from 11 to 22 kg.
- 150 lts tanks for washers from 28 to 35 kg.



TECHNICAL DATA

WATER RECOVERY TANKS | KRS | WREC-150 T1

	U.	WREC-150 T1
TANKS		
Tanks	l	150*1
Washers capacities: front / barrier	Kg	27,36 / 27,35
External panels	-	skinplate
Tank material	-	polyethylene
CONNECTIONS		
Water inlet	inch	3/4"
Water outlet	inch	3/4"
Fumes outlet	mm	21
Drain Ø	mm	21
DIMENSIONS / PACKING DIMENSIONS		
Net width / Gross width	mm	551 / 600
Net depth / Gross depth	mm	1.302 / 1.350
Net height / Gross height	mm	575 / 720
Net weight / Gross weight	Kg	65 / 85
Volume	m ³	0,41 / 0,58





WATER RECOVERY

WATER RECOVERY TANKS KRS WREC-150 T2

CHARACTERISTICS

EFFICIENCY

- Up to 70% water savings.
- Up to 40% energy savings.
- Detergents savings.

EASY INSTALLATION & MAINTENANCE

- Plug and play.
- Requires little space.
- Self-cleaning tanks with preset programs (with washers equipped with TP2 control).
- Tanks easy to remove and clean.

OTHERS

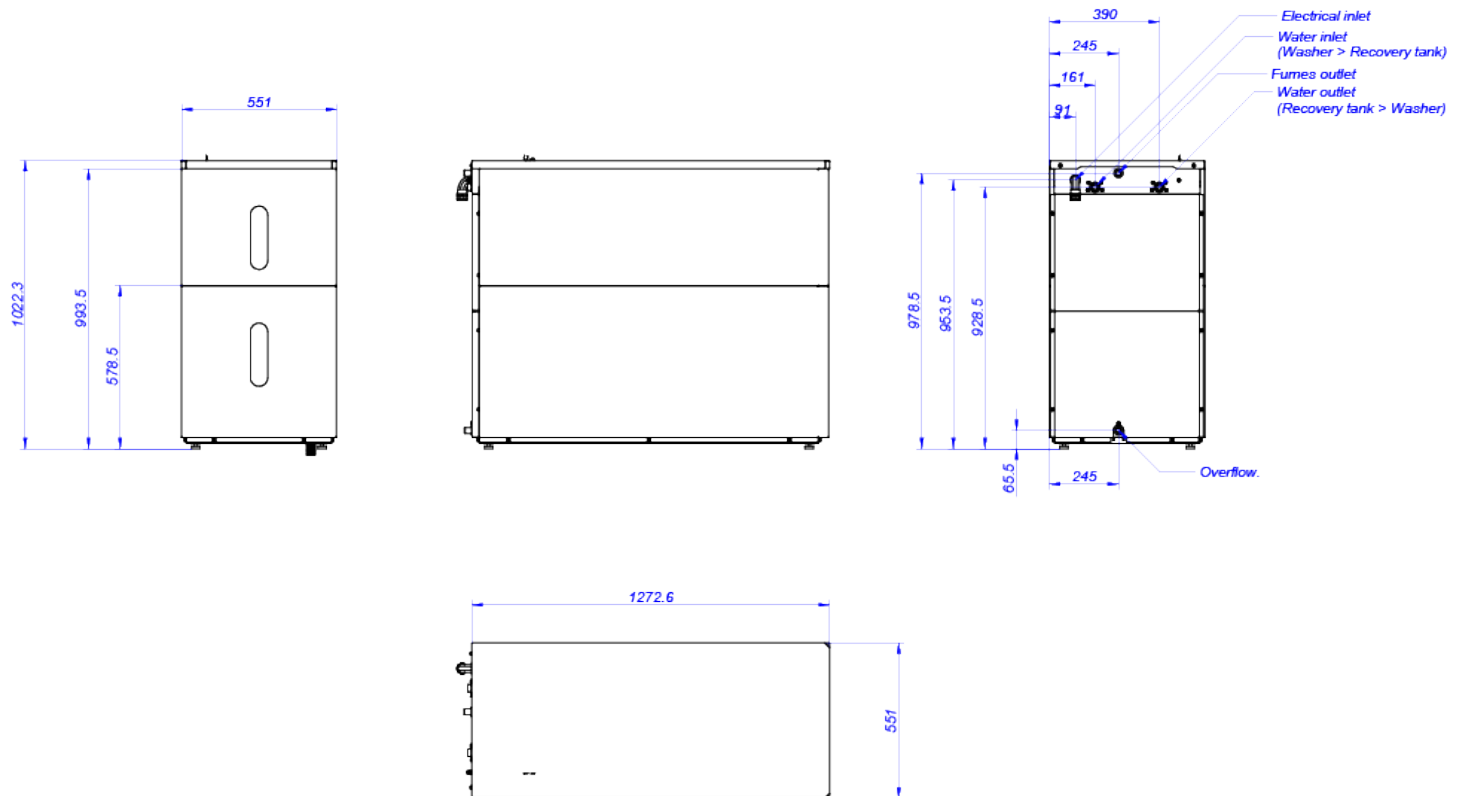
- 1, 2 or 3 tanks.
- Grey skinplate panels.
- High density polyethylene tanks.
- 2 water level sensors in each tank.
- 80 lt tanks for washers from 11 to 22 kg.
- 150 lts tanks for washers from 28 to 35 kg.



TECHNICAL DATA

WATER RECOVERY TANKS | KRS | WREC-150 T2

	. U.	WREC 150 T2
TANKS		
Tanks	l	150*2
Washers capacities: front / barrier	Kg	27,36 / 27,35
External panels	-	skinplate
Tank material	-	polyethylene
CONNECTIONS		
Water inlet	inch	3/4"
Water outlet	inch	3/4"
Fumes outlet	mm	21
Drain Ø	mm	21
DIMENSIONS / PACKING DIMENSIONS		
Net width / Gross width	mm	551 / 600
Net depth / Gross depth	mm	1.302 / 1.350
Net height / Gross height	mm	977 / 1.122
Net weight / Gross weight	Kg	110 / 135
Volume	m ³	0,70 / 0,91





WATER RECOVERY

WATER RECOVERY TANKS KRS WREC-150 T3

CHARACTERISTICS

EFFICIENCY

- Up to 70% water savings.
- Up to 40% energy savings.
- Detergents savings.

EASY INSTALLATION & MAINTENANCE

- Plug and play.
- Requires little space.
- Self-cleaning tanks with preset programs (with washers equipped with TP2 control).
- Tanks easy to remove and clean.

OTHERS

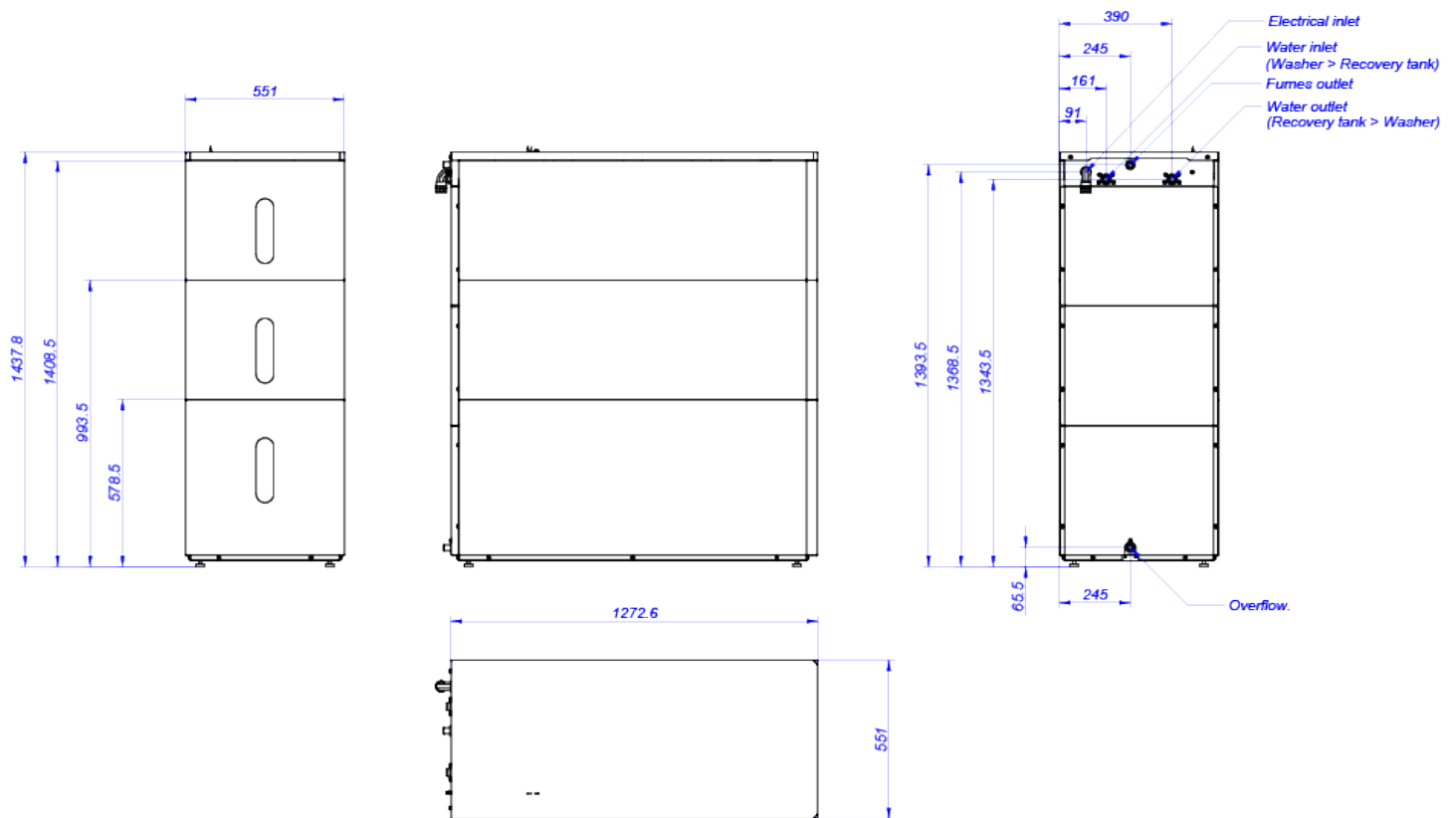
- 1, 2 or 3 tanks.
- Grey skinplate panels.
- High density polyethylene tanks.
- 2 water level sensors in each tank.
- 80 lt tanks for washers from 11 to 22 kg.
- 150 lts tanks for washers from 28 to 35 kg.



TECHNICAL DATA

WATER RECOVERY TANKS | KRS | WREC-150 T3

	U.	WREC-150 T3
TANKS		
Tanks	l	150*3
Washers capacities: front / barrier	Kg	27,36 / 27,35
External panels	-	skinplate
Tank material	-	polyethylene
CONNECTIONS		
Water inlet	inch	3/4"
Water outlet	inch	3/4"
Fumes outlet	mm	21
Drain Ø	mm	21
DIMENSIONS / PACKING DIMENSIONS		
Net width / Gross width	mm	551 / 600
Net depth / Gross depth	mm	1.302 / 1.350
Net height / Gross height	mm	1.379 / 1.524
Net weight / Gross weight	Kg	145 / 175
Volume	m ³	0,99 / 1,23





WATER RECOVERY

WATER RECOVERY TANKS KRS WREC-1000



CHARACTERISTICS

EFFICIENCY

- Up to 70% water savings.
- Up to 40% energy savings.
- Savings in detergents.

EASY INSTALLATION & MAINTENANCE

- Easy connection with 1" valve.
- Self cleaning programs.
- The tanks have holes to be able to fix them to the ground.

OTHERS

- 1, 2 or 3 tanks of 1000 litres each.
- One or more washing machines can be connected to be able to reuse the washing water.
- Sold separately.
- No external panels, just the frame.

OPTIONS

- Connection kit 1" from barriers LBS-27/35/50/70/100 to WREC-1000.
- Connection kit 1" from washers LA/LN-35C/45C/45C/60C/80C to WREC-1000.
- Connection kit 1" from washers LA-100C/120C to WREC-1000.
- Raised platform.
- Mounting accessories kit.

MACHINES THAN CAN BE CONNECTED

- Up to 8 of 35/45 kg washers
- Up to 4 of 60/80 kg washers
- Up to 3 of 100/120 kg washers



