



WATER RECOVERY

WATER RECOVERY TANKS KRS WREC-80 T1

CHARACTERISTICS

- 80 and 150 litre tanks to save the maximum amount of water in small spaces.
- Each washing machine or sanitary barrier can have between one and three tanks in column.
- Made of high density polyethylene and external reinforcement with skinplate panel structure, stainless steel aesthetics.
- Tank with rounded corners to prevent the accumulation of dirt and facilitate cleaning.

EFFICIENCY

- Up to 70% water saving.
- Up to 40% energy saving.
- Savings in detergents.

EASY INSTALLATION & MAINTENANCE

- Plug and play.
- Requires little space.
- Self-cleaning tanks with pre-set programmes (with washers equipped with TP2 control).
- Removable tanks for easy cleaning and maintenance.

OTHERS

- 1, 2 or 3 tanks.
- Grey skinplate panels.
- High density polyethylene tanks.
- 2 water level sensors in each tank.
- 80l tanks for washing machines from 11 to 18 kg and sanitary barriers from 16 kg.
- 150l tanks for 22 to 28 kg washing machines and 22 kg sanitary barriers.

OPTIONS

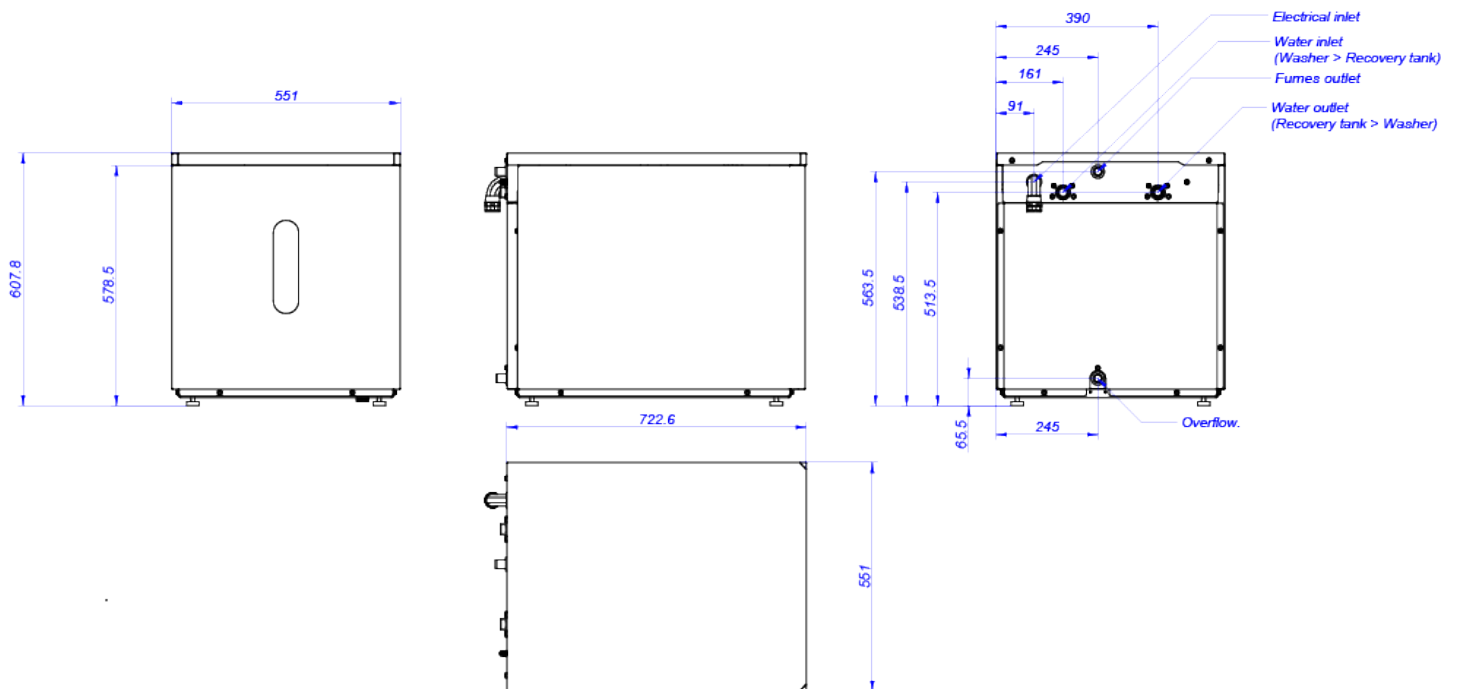
- Sanitary barrier kit LMED-16 for connection of 3/4' tanks WREC 1000. 3/4' WREC 1000 tanks.
- Sanitary barrier kit LMED-22 for connection 3/4' tanks WREC 1000. 3/4' tanks WREC 1000.
- Washing machine kit LA/LN-11/14/18/22/28 for connection 3/4' tanks WREC 1000. 3/4' tanks WREC 1000.



TECHNICAL DATA

WATER RECOVERY TANKS | KRS | WREC-80 T1

	U.	WREC-80 T1
TANKS		
Tanks	l	80x1
Front washers capacities	Kg	11-14-18
Barrier washers capacities	Kg	16-22
External panels	-	Skinplate
CONNECTIONS		
Water inlet	inch	3/4"
Water outlet	inch	3/4"
Ø Fumes outlet	mm	21
Ø Drain	mm	21
Tension	V	230V I
DIMENSIONS / PACKING DIMENSIONS		
Net width / Gross width	mm	551 / 570
Net depth / Gross depth	mm	776 / 800
Net height / Gross height	mm	608 / 1.010
Net weight / Gross weight	Kg	46 / 66
Volume	m ³	0,26 / 0,46





WATER RECOVERY

WATER RECOVERY TANKS KRS WREC-80 T2

CHARACTERISTICS

- 80 and 150 litre tanks to save the maximum amount of water in small spaces.
- Each washing machine or sanitary barrier can have between one and three tanks in column.
- Made of high density polyethylene and external reinforcement with skinplate panel structure, stainless steel aesthetics.
- Tank with rounded corners to prevent the accumulation of dirt and facilitate cleaning.

EFFICIENCY

- Up to 70% water saving.
- Up to 40% energy saving.
- Savings in detergents.

EASY INSTALLATION & MAINTENANCE

- Plug and play.
- Requires little space.
- Self-cleaning tanks with pre-set programmes (with washers equipped with TP2 control).
- Removable tanks for easy cleaning and maintenance.

OTHERS

- 1, 2 or 3 tanks.
- Grey skinplate panels.
- High density polyethylene tanks.
- 2 water level sensors in each tank.
- 80l tanks for washing machines from 11 to 18 kg and sanitary barriers from 16 kg.
- 150l tanks for 22 to 28 kg washing machines and 22 kg sanitary barriers.

OPTIONS

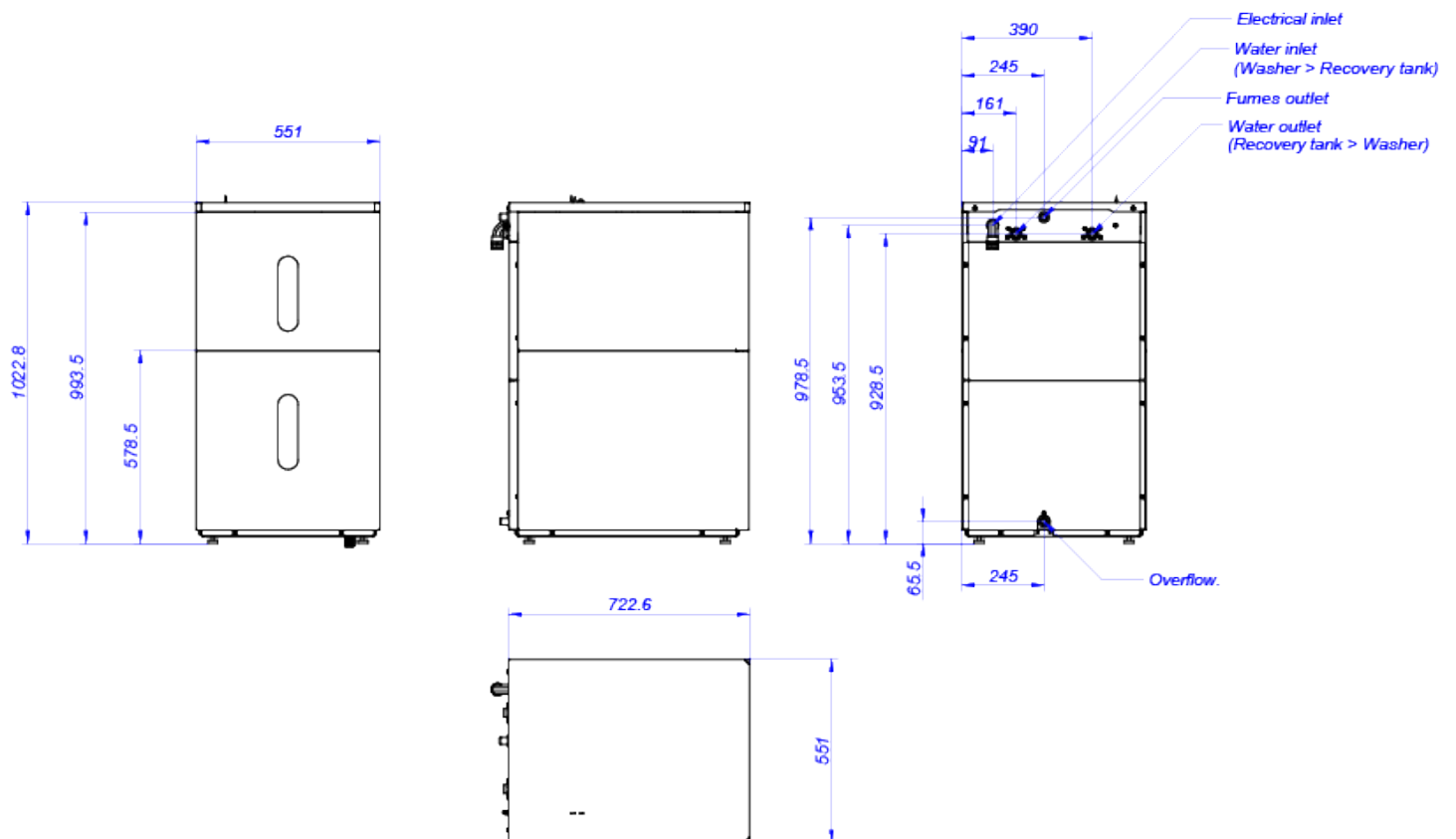
- Sanitary barrier kit LMED-16 for connection of 3/4' tanks WREC 1000. 3/4' WREC 1000 tanks.
- Sanitary barrier kit LMED-22 for connection 3/4' tanks WREC 1000. 3/4' tanks WREC 1000.
- Washing machine kit LA/LN-11/14/18/22/28 for connection 3/4' tanks WREC 1000. 3/4' tanks WREC 1000.



TECHNICAL DATA

WATER RECOVERY TANKS | KRS | WREC-80 T2

	U.	WREC-80 T2
TANKS		
Tanks	l	80x2
Front washers capacities	Kg	11-14-18
Barrier washers capacities	Kg	16-22
External panels	-	Skinplate
CONNECTIONS		
Water inlet	inch	3/4"
Water outlet	inch	3/4"
Ø Fumes outlet	mm	21
Ø Drain	mm	21
Tension	V	230V I
DIMENSIONS / PACKING DIMENSIONS		
Net width / Gross width	mm	551 / 570
Net depth / Gross depth	mm	776 / 800
Net height / Gross height	mm	1.023 / 1.425
Net weight / Gross weight	Kg	60 / 80
Volume	m ³	0,44 / 0,65





WATER RECOVERY

WATER RECOVERY TANKS KRS WREC-80 T3

CHARACTERISTICS

- 80 and 150 litre tanks to save the maximum amount of water in small spaces.
- Each washing machine or sanitary barrier can have between one and three tanks in column.
- Made of high density polyethylene and external reinforcement with skinplate panel structure, stainless steel aesthetics.
- Tank with rounded corners to prevent the accumulation of dirt and facilitate cleaning.

EFFICIENCY

- Up to 70% water saving.
- Up to 40% energy saving.
- Savings in detergents.

EASY INSTALLATION & MAINTENANCE

- Plug and play.
- Requires little space.
- Self-cleaning tanks with pre-set programmes (with washers equipped with TP2 control).
- Removable tanks for easy cleaning and maintenance.

OTHERS

- 1, 2 or 3 tanks.
- Grey skinplate panels.
- High density polyethylene tanks.
- 2 water level sensors in each tank.
- 80l tanks for washing machines from 11 to 18 kg and sanitary barriers from 16 kg.
- 150l tanks for 22 to 28 kg washing machines and 22 kg sanitary barriers.

OPTIONS

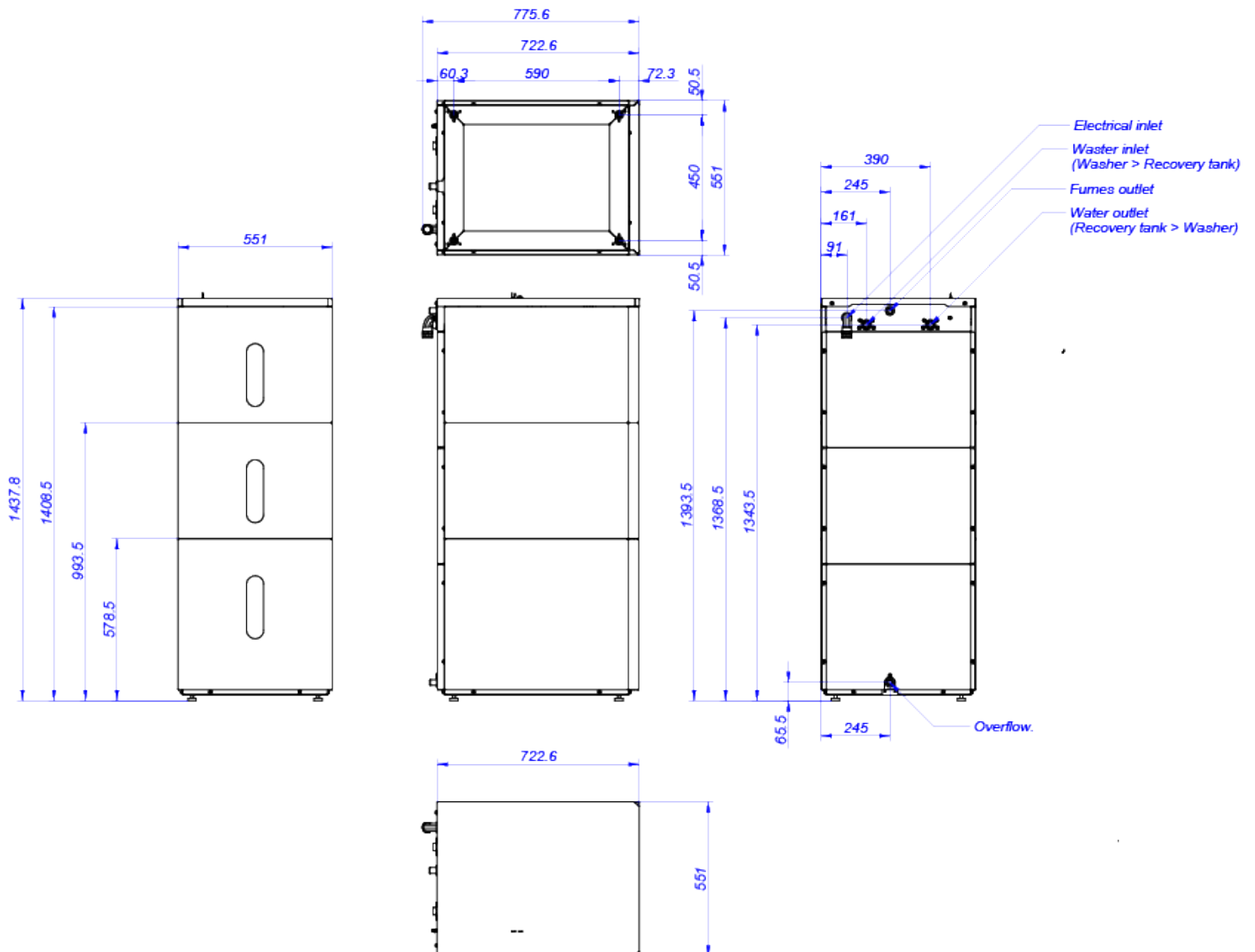
- Sanitary barrier kit LMED-16 for connection of 3/4' tanks WREC 1000. 3/4' WREC 1000 tanks.
- Sanitary barrier kit LMED-22 for connection 3/4' tanks WREC 1000. 3/4' tanks WREC 1000.
- Washing machine kit LA/LN-11/14/18/22/28 for connection 3/4' tanks WREC 1000. 3/4' tanks WREC 1000.



TECHNICAL DATA

WATER RECOVERY TANKS | KRS | WREC-80 T3

	U.	WREC-80 T3
TANKS		
Tanks	I	80x3
Front washers capacities	Kg	11-14-18
Barrier washers capacities	Kg	16-22
External panels	-	Skinplate
CONNECTIONS		
Water inlet	inch	3/4"
Water outlet	inch	3/4"
Ø Fumes outlet	mm	21
Ø Drain	mm	21
Tension	V	230V I
DIMENSIONS / PACKING DIMENSIONS		
Net width / Gross width	mm	551 / 570
Net depth / Gross depth	mm	776 / 800
Net height / Gross height	mm	1.438 / 1.840
Net weight / Gross weight	Kg	80 / 100
Volume	m ³	0,62 / 0,84





WATER RECOVERY

WATER RECOVERY TANKS KRS WREC-150 T1

CHARACTERISTICS

- 80 and 150 litre tanks to save the maximum amount of water in small spaces.
- Each washing machine or sanitary barrier can have between one and three tanks in column.
- Made of high density polyethylene and external reinforcement with skinplate panel structure, stainless steel aesthetics.
- Tank with rounded corners to prevent the accumulation of dirt and facilitate cleaning.

EFFICIENCY

- Up to 70% water saving.
- Up to 40% energy saving.
- Savings in detergents.

EASY INSTALLATION & MAINTENANCE

- Plug and play.
- Requires little space.
- Self-cleaning tanks with pre-set programmes (with washers equipped with TP2 control).
- Removable tanks for easy cleaning and maintenance.

OTHERS

- 1, 2 or 3 tanks.
- Grey skinplate panels.
- High density polyethylene tanks.
- 2 water level sensors in each tank.
- 80l tanks for washing machines from 11 to 18 kg and sanitary barriers from 16 kg.
- 150l tanks for 22 to 28 kg washing machines and 22 kg sanitary barriers.

OPTIONS

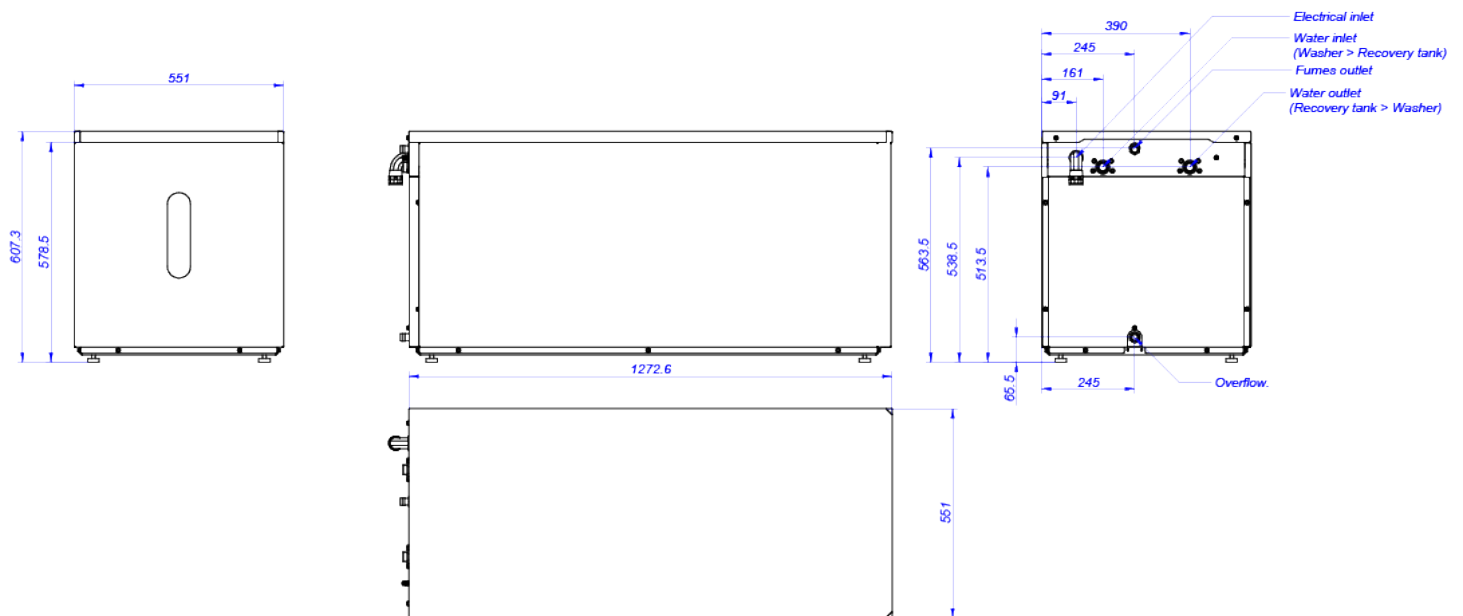
- Sanitary barrier kit LMED-16 for connection of 3/4' tanks WREC 1000. 3/4' WREC 1000 tanks.
- Sanitary barrier kit LMED-22 for connection 3/4' tanks WREC 1000. 3/4' tanks WREC 1000.
- Washing machine kit LA/LN-11/14/18/22/28 for connection 3/4' tanks WREC 1000. 3/4' tanks WREC 1000.



TECHNICAL DATA

WATER RECOVERY TANKS | KRS | WREC-150 T1

	U.	WREC-150 T1
TANKS		
Tanks	l	150x1
Front washers capacities	Kg	28-35
Barrier washers capacities	Kg	27-35
External panels	-	Skinplate
CONNECTIONS		
Water inlet	inch	3/4"
Water outlet	inch	3/4"
Ø Fumes outlet	mm	21
Ø Drain	mm	21
Tension	V	230V I
DIMENSIONS / PACKING DIMENSIONS		
Net width / Gross width	mm	551 / 570
Net depth / Gross depth	mm	1.273 / 1.350
Net height / Gross height	mm	608 / 1.010
Net weight / Gross weight	Kg	75 / 96
Volume	m ³	0,43 / 0,78





WATER RECOVERY

WATER RECOVERY TANKS KRS WREC-150 T2

CHARACTERISTICS

- 80 and 150 litre tanks to save the maximum amount of water in small spaces.
- Each washing machine or sanitary barrier can have between one and three tanks in column.
- Made of high density polyethylene and external reinforcement with skinplate panel structure, stainless steel aesthetics.
- Tank with rounded corners to prevent the accumulation of dirt and facilitate cleaning.

EFFICIENCY

- Up to 70% water saving.
- Up to 40% energy saving.
- Savings in detergents.

EASY INSTALLATION & MAINTENANCE

- Plug and play.
- Requires little space.
- Self-cleaning tanks with pre-set programmes (with washers equipped with TP2 control).
- Removable tanks for easy cleaning and maintenance.

OTHERS

- 1, 2 or 3 tanks.
- Grey skinplate panels.
- High density polyethylene tanks.
- 2 water level sensors in each tank.
- 80l tanks for washing machines from 11 to 18 kg and sanitary barriers from 16 kg.
- 150l tanks for 22 to 28 kg washing machines and 22 kg sanitary barriers.

OPTIONS

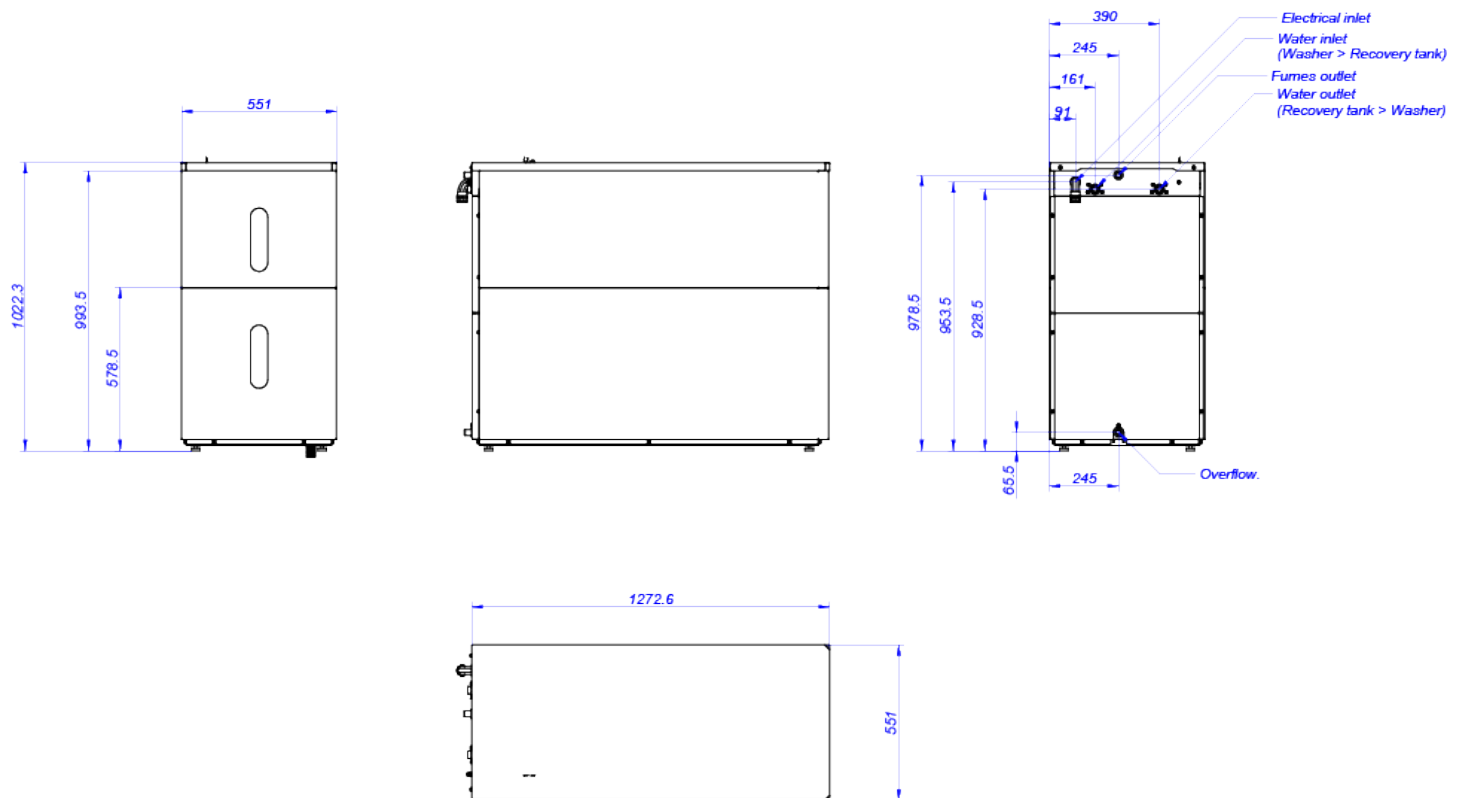
- Sanitary barrier kit LMED-16 for connection of 3/4' tanks WREC 1000. 3/4' WREC 1000 tanks.
- Sanitary barrier kit LMED-22 for connection 3/4' tanks WREC 1000. 3/4' tanks WREC 1000.
- Washing machine kit LA/LN-11/14/18/22/28 for connection 3/4' tanks WREC 1000. 3/4' tanks WREC 1000.



TECHNICAL DATA

WATER RECOVERY TANKS | KRS | WREC-150 T2

	U.	WREC-150 T2
TANKS		
Tanks	l	150x2
Front washers capacities	Kg	28-35
Barrier washers capacities	Kg	27-35
External panels	-	Skinplate
CONNECTIONS		
Water inlet	inch	3/4"
Water outlet	inch	3/4"
Ø Fumes outlet	mm	21
Ø Drain	mm	21
Tension	V	230V I
DIMENSIONS / PACKING DIMENSIONS		
Net width / Gross width	mm	551 / 570
Net depth / Gross depth	mm	1.273 / 1.350
Net height / Gross height	mm	1.023 / 1.425
Net weight / Gross weight	Kg	102 / 131
Volume	m ³	0,72 / 1,1





WATER RECOVERY

WATER RECOVERY TANKS KRS WREC-150 T3

CHARACTERISTICS

- 80 and 150 litre tanks to save the maximum amount of water in small spaces.
- Each washing machine or sanitary barrier can have between one and three tanks in column.
- Made of high density polyethylene and external reinforcement with skinplate panel structure, stainless steel aesthetics.
- Tank with rounded corners to prevent the accumulation of dirt and facilitate cleaning.

EFFICIENCY

- Up to 70% water saving.
- Up to 40% energy saving.
- Savings in detergents.

EASY INSTALLATION & MAINTENANCE

- Plug and play.
- Requires little space.
- Self-cleaning tanks with pre-set programmes (with washers equipped with TP2 control).
- Removable tanks for easy cleaning and maintenance.

OTHERS

- 1, 2 or 3 tanks.
- Grey skinplate panels.
- High density polyethylene tanks.
- 2 water level sensors in each tank.
- 80l tanks for washing machines from 11 to 18 kg and sanitary barriers from 16 kg.
- 150l tanks for 22 to 28 kg washing machines and 22 kg sanitary barriers.

OPTIONS

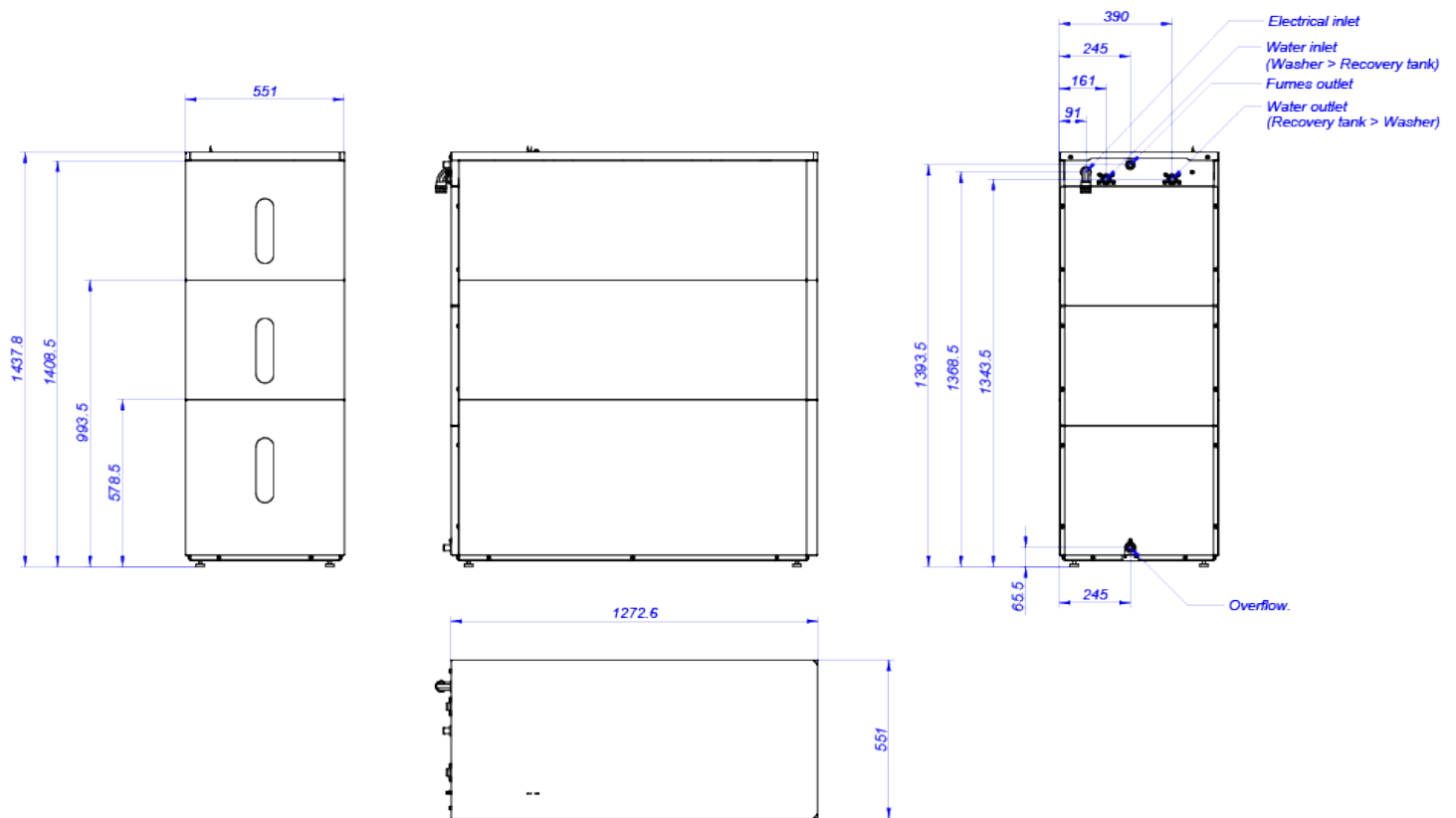
- Sanitary barrier kit LMED-16 for connection of 3/4' tanks WREC 1000. 3/4' WREC 1000 tanks.
- Sanitary barrier kit LMED-22 for connection 3/4' tanks WREC 1000. 3/4' tanks WREC 1000.
- Washing machine kit LA/LN-11/14/18/22/28 for connection 3/4' tanks WREC 1000. 3/4' tanks WREC 1000.



TECHNICAL DATA

WATER RECOVERY TANKS | KRS | WREC-150 T3

	U.	WREC-150 T3
TANKS		
Tanks	l	150x3
Front washers capacities	Kg	28-35
Barrier washers capacities	Kg	27-35
External panels	-	Skinplate
CONNECTIONS		
Water inlet	inch	3/4"
Water outlet	inch	3/4"
Ø Fumes outlet	mm	21
Ø Drain	mm	21
Tension	V	230V I
DIMENSIONS / PACKING DIMENSIONS		
Net width / Gross width	mm	551 / 570
Net depth / Gross depth	mm	1.273 / 1.350
Net height / Gross height	mm	1.438 / 1.840
Net weight / Gross weight	Kg	141 / 177
Volume	m ³	1,01 / 1,42





WATER RECOVERY

WATER RECOVERY TANKS KRS WREC-1000



CHARACTERISTICS

- 1,000 litre centralised tanks, from 1 to 3 tanks, for one or several machines from 35 to 120 kg.
- Large capacity models ideal for industrial laundries with large capacity washing machines.
- Combinable:
Different WREC-1000 can be combined with different Fagor Professional machines with TP2:
 - 1 or more machines to the WREC-1000.
 - 1, 2 or 3 WREC-1000 tanks.
- Resistant: Made of high density polyethylene and external reinforcement with galvanised steel structure.

EFFICIENCY

- Up to 70% water savings.
- Up to 40% energy saving.
- Savings in detergent.

EASY INSTALLATION & MAINTENANCE

- Easily connected with a 1' valve.
- Self-cleaning programmes.
- Fixing: Incorporates holes for easy anchoring to the floor.
- Accessory kit available: For easy connection of washers and barriers with tanks (option).
- 2 water level sensors.

OTHERS

- 1, 2 or 3 tanks of 1000 litres each.
- One or more washing machines can be connected so that the wash water can be reused.
- Sold separately.
- No external panels, only the frame.
- Connections not included with the tank

OPTIONS

- 1' connection kit from LBS-27/35/50/70/100 barriers to WREC-1000.
- 1' connection kit from LA/LN-35C/45C/45C/60C/80C washers to WREC-1000.
- 1' connection kit from washing machines LA-100C/120C to WREC-1000.
- Raised platform.
- Mounting accessories kit.

MACHINES THAN CAN BE CONNECTED

- Up to 8 of 35/45 kg washers
- Up to 4 of 60/80 kg washers
- Up to 3 of 100/120 kg washers



TECHNICAL DATA

WATER RECOVERY TANKS | KRS | WREC-1000

	U.	WREC-1000
TANKS		
Tanks	1	1000
Front washers capacities	Kg	35-45-60-80-100-120
Barrier washers capacities	Kg	27-35-50-70-100
External panels	-	Skinplate
CONNECTIONS		
Water inlet	inch	1"
Water outlet	inch	1"
Ø Fumes outlet	mm	31
Ø Drain	mm	31
Tension	V	230V I
DIMENSIONS / PACKING DIMENSIONS		
Net width / Gross width	mm	702 / 800
Net depth / Gross depth	mm	1.375 / 1.450
Net height / Gross height	mm	2.207 / 2.347
Net weight / Gross weight	Kg	154 / 179
Volume	m ³	2,13 / 2,73

