

## IRONING AND FOLDING

## WALL IRONERS ROLLER Ø 180 P-18-100/120 M

### CHARACTERISTICS

#### ELECTRONIC PROGRAMMER M

- Simple and user friendly: Electronic control: start/stop, selection of 4 temperatures.
- Preset ironing speeds, not adjustable.

#### EFFICIENCY

- Acoustic comfort : <55 dB
- Minimum space requirement: space saving, suitable for small spaces
- Ideal for processing small quantity of flat linen in facilities like restaurants, guest rooms, hostels...

#### ROBUSTNESS

- Nomex quality coating: resistant to high temperatures.
- Panels in skinplate, top panel in stainless steel.
- Wooden feeding board.

#### FEATURES

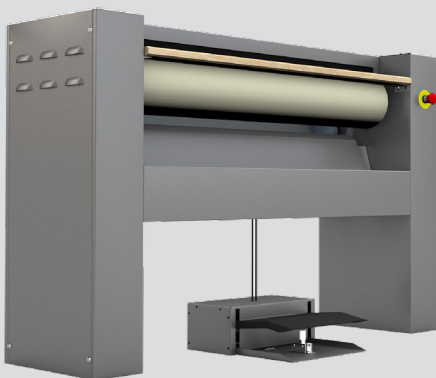
- Large roll contact area with the linen.
- Roll lifting control by pedal.
- Two available models:
  - Standard: roll with cotton polyester coating.
  - Nomex: roll with Nomex coating.

#### MAINTENANCE

- Easy installation: requires only an electrical connection.
- Easy access on both sides for maintenance.

### OTHERS

- Irons flat linen with recommended relative moisture between 5 and 10 % from a tumble dryer
- Front feeding and return
- Roll Ø 180 mm
- Working widths: 1.000 and 1.200mm
- Electric heating
- CE certification

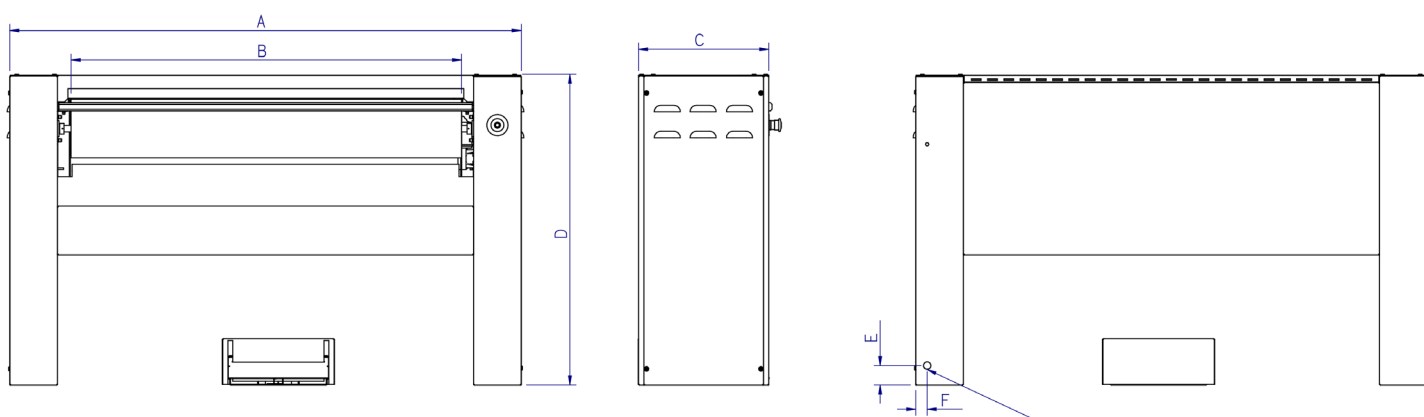


# TECHNICAL DATA

## WALL IRONERS | ROLLER Ø 180 | P-18-100/120 M

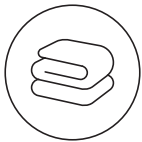
	UNIT.	P-18/100 M	P-18/120 M
<b>GENERAL DATA</b>			
Theoretical production*	Kg/h	15	20
	Lb/h	33,07	44,09
Ø Roll	mm	180	180
	inch	7,09	7,09
Working width	mm	1.000	1.200
	inch	39,37	47,24
Working speed	m/min	2,02	2,02
	ft/min	6,62	6,62
Electronic control	-	Yes	Yes
Chest motion	-	Manual by pedal	Manual by pedal
<b>POWER</b>			
Heating power	Kw	3,3	4
Roll motor power	Kw	0,029	0,029
Total electric power	Kw	3,329	4,029
<b>CONNECTIONS</b>			
Tension 230V - I + N + T	n° x mm² / A	3 x 4 / 16A	3 x 4 / 20A
	n° x AWG/A	3 x 11 / 16A	3 x 11 / 20A
<b>DIMENSIONS/ PACKING DIMENSIONS</b>			
Net width / Gross width	mm	1.370 / 1.490	1.570 / 1.690
	inch	54 / 59	62 / 67
Net depth / Gross depth	mm	438 / 540	438 / 540
	inch	17 / 21	17 / 21
Net height / Gross height	mm	952 / 1.130	952 / 1.130
	inch	37 / 44	37 / 44
Net weight / Gross weight	Kg	80 / 100	90 / 110
	Lb	176 / 220	198 / 243
Net volume / Gross volume	m³	0,57 / 0,91	0,65 / 1,03
	ft³	20,13 / 32,14	22,95 / 36,37
<b>OTHERS</b>			
Sound level	dB	55	55

\*20% -25% residual moisture



01. Electrical connection

	A	B	C	D	E	F
P-18/100	1.370	1.000	400	952	60	35
P-18/120	1.570	1.200	400	952	60	35



## IRONING AND FOLDING

## WALL IRONERS ROLLER Ø 250 P-25-100/120/140/200 M

### CHARACTERISTICS

#### ELECTRONIC PROGRAMMER

- Simple and user friendly : digital screen, precise control of temperature
- Preset ironing speeds, not adjustable

#### EFFICIENCY

- Acoustic comfort : 55 dB max
- Minimum space requirement: space saving, suitable for small spaces.
- Ideal for processing small quantity of flat linen in facilities like restaurants, guest rooms, hostels...

#### ROBUSTNESS

- Nomex coating: resistant to high temperatures
- Panels in grey skinplate and stainless steel
- Wooden feeding table
- New kinematics: better reliability
- Industrial roll axle and bearings: more durable

#### FEATURES

- Large roll contact area with the linen
- Automatic roll lifting control by foot cell detection.
- Two available models:
  - Standard: roll with cotton polyester coating.
  - Nomex: roll with Nomex coating.

#### MAINTENANCE

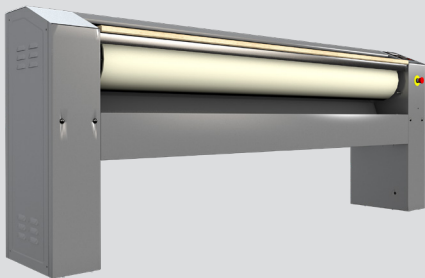
- Easy installation : requires only an electrical connection
- Easy access on both sides for maintenance
- Quick and easy dismantling of bearings

#### OTHERS

- Irons flat linen with recommended relative moisture between 5 and 10 % from a tumble dryer
- Front feeding and return
- Roll ø 250 mm
- Working widths: 1.000, 1.200 ,1.400 and 2.000 mm
- Electric heating
- CE certification

#### OPTIONS

- Pedal control kit (instead of photocell)
- Marine voltage 440V III 60 Hz without N
- 230V III+T 50-60 Hz
- 230V I+N+T 50 Hz (except P25/200 model)

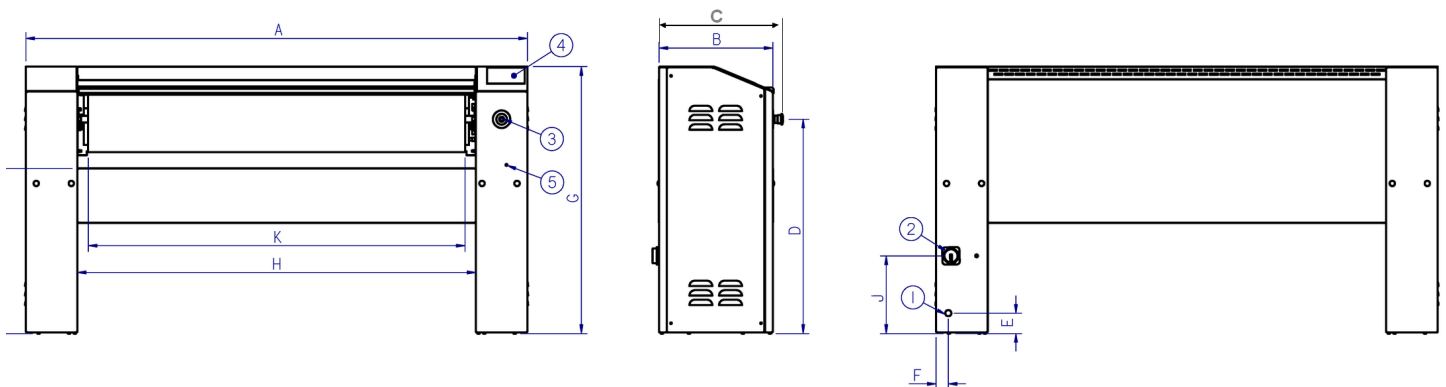


# TECHNICAL DATA

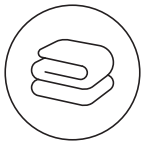
## WALL IRONERS | ROLLER Ø 250 | P-25-100/120/140/200 M

	UNIT.	P-25/100 M	P-25/120 M	P-25/140 M	P-25/200 M
<b>GENERAL DATA</b>					
Theoretical production*	Kg/h	25	27,5	30	35
	Lb/h	55,12	60,63	66,14	77,16
Ø Roll	mm	250	250	250	250
	inch	9,84	9,84	9,84	9,84
Working width	mm	1.000	1.200	1.400	2.000
	inch	39,37	47,24	55,12	78,74
Working speed	m/min	4,2	4,2	4,2	4,2
	ft/mn	13,77	13,77	13,77	13,77
Electronic control	-	Yes	Yes	Yes	Yes
Chest motion	-	Auto	Auto	Auto	Auto
<b>POWER</b>					
Heating power	Kw	4,95	6	7	12
Roll motor power	Kw	0,18	0,18	0,18	0,18
Total electric power	Kw	5,13	6,18	7,18	12,18
<b>CONNECTIONS</b>		<b>ELECTRIC</b>	<b>ELECTRIC</b>	<b>ELECTRIC</b>	<b>ELECTRIC</b>
Tension 230V - I + N + T	n° x mm² /A	3 x 6 / 25A	3 x 6 / 32A	3 x 10 / 40A	-
	n° x AWG/A	3 x 9 / 25A	3 x 9 / 32A	3 x 7 / 40A	-
Tension 230V - III + T	n° x mm² /A	4 x 2,5 / 16A	4 x 4 / 20A	4 x 4 / 20A	4 x 6 / 32A
	n° x AWG/A	4 x 13 / 16A	4 x 11 / 20A	4 x 11 / 20A	4 x 9 / 32A
Tension 400V - III + N + T	n° x mm² /A	5 x 2,5 / 10A	5 x 2,5 / 10A	5 x 2,5 / 16A	5 x 4 / 20A
	n° x AWG/A	5 x 13 / 10A	5 x 13 / 10A	5 x 13 / 16A	5 x 11 / 20A
<b>DIMENSIONS / PACKING DIMENSIONS</b>					
Net width/ Gross width	mm	1.462 / 1.490	1.662 / 1.690	1.862 / 1.890	2.462 / 2.490
	inch	58 / 59	65 / 67	73 / 74	97 / 98
Net depth/ Gross depth	mm	484 / 540	484 / 540	484 / 540	484 / 540
	inch	19 / 21	19 / 21	19 / 21	19 / 21
Net height/ Gross height	mm	985 / 1.130	985 / 1.130	985 / 1.130	985 / 1.130
	inch	39 / 44	39 / 44	39 / 44	39 / 44
Net weight/ Gross weight	Kg	114 / 124	124 / 134	134 / 154	164 / 184
	Lb	251 / 273	273 / 295	295 / 340	362 / 406
Net volume / Gross volume	m³	0,69 / 0,91	0,79 / 1,03	0,89 / 1,15	1,17 / 1,51
	ft³	24,37 / 32,14	27,90 / 36,37	31,43 / 40,61	41,32 / 53,33
<b>OTHERS</b>					
Noise level	dB	55	55	55	55

\*20% - 25% residual moisture



	A	B	C	D	E	F	G	H	I	J	K
P-25/100	1.462	423	484	791	75	45	985	1.079	610	287	998
P-25/120	1.662	423	484	791	75	45	985	1.279	610	287	1.198
P-25/140	1.862	423	484	791	75	45	985	1.479	610	287	1.398
P-25/200	2.462	423	484	791	75	45	985	2.079	610	287	1.998



## IRONING AND FOLDING

## WALL IRONERS ROLLER Ø25 P-25-140/200 M PLUS

### CHARACTERISTICS

#### ELECTRONIC PROGRAMMER M

- Simple and user friendly with an auto mode: automatic management of the ironing speed according to the selected temperature.
- Digital speed and temperature display

#### EFFICIENCY

- Acoustic comfort : <60 dB max
- Minimum space requirement: space saving, suitable for small spaces.
- Ideal for processing small quantity of flat linen in facilities like restaurants, guest rooms, hostels...

#### ROBUSTNESS

- Nomex coating: resistant to high temperatures
- Panels in grey skinplate and stainless steel
- Wooden feeding table
- New kinematics: better reliability
- Industrial roll axle and bearings: more durable

#### FEATURES

- Large roll contact area with the linen
- Mode of operation identical to a flatwork ironer: no roll lifting, more ergonomic.
- Models equipped with Nomex belts, suction and variable speed inverter: more productivity.
- Adjustable speed and temperature.

#### MAINTENANCE

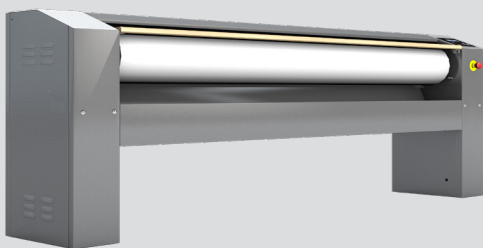
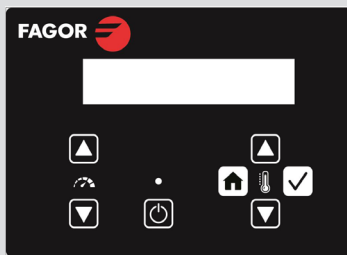
- Easy installation : requires only an electrical connection.
- Easy access on both sides for maintenance.
- Quick and easy dismantling of bearings

#### OTHERS

- Irons flat linen containing a residual moisture of up to 25% (recommended between 5 and 10% for other models)
- Front feeding and return
- Roll ø 250 mm
- Working widths: 1.400 and 2.000 mm
- Electric heating
- CE certification

#### OPTIONS

- Marine voltage 440V III 60 Hz without N
- 230V III+T 50-60 Hz

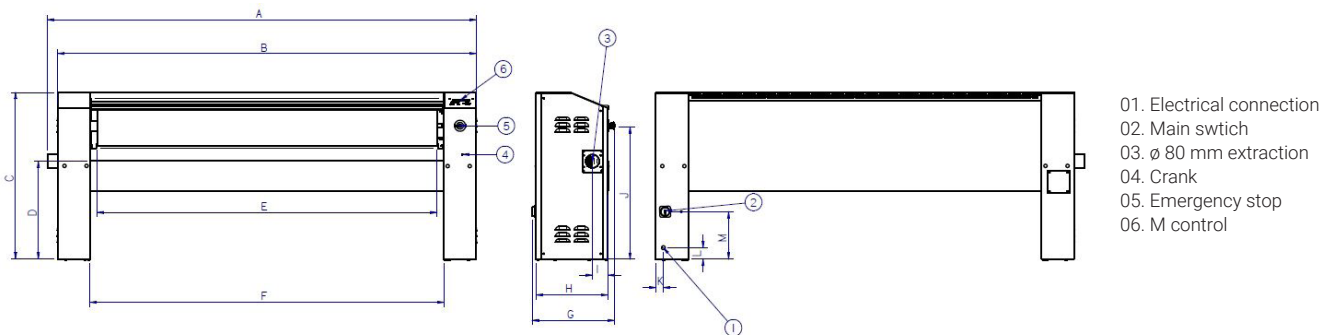


# TECHNICAL DATA

## WALL IRONERS | ROLLER Ø25 | P-25-140/200 M PLUS

	UNIT.	P-25/140 M PLUS	P-25/200 M PLUS
<b>GENERAL DATA</b>			
Theoretical production*	Kg/h	40	50
	Lb/h	88,18	110,23
Ø Roll	mm	250	250
	inch	9,84	9,84
Working width	mm	1.400	2.000
	inch	55,12	78,74
Working speed	m/min	1,5 - 6	1,5 - 6
	ft/mn	4,9 - 19,6	4,9 - 19,6
Electronic control	-	Yes	Yes
Chest motion	-	-	-
<b>POWER</b>			
Heating power	kW	7	12
Roll motor power	kW	0,18	0,18
Fan motor power	kW	0,12	0,12
Total electric power	kW	7,3	12,3
<b>CONNECTIONS</b>		<b>ELECTRIC</b>	<b>ELECTRIC</b>
Tension 230V - III + T	n° x mm² / A	4 x 6 / 20A	4 x 10 / 40A
	n° x AWG/A	4 x 9 / 20A	4 x 7 / 40A
Tension 400V - N + III + T	n° x mm² / A	5 x 4 / 16A	5 x 4 / 20A
	n° x AWG/A	5 x 11 / 16A	5 x 11 / 20A
<b>DIMENSIONS / PACKING DIMENSIONS</b>			
Net width/ Gross width**	mm	1.923 / 1.890	2.523 / 2.490
	inch	76 / 74	99 / 98
Net depth/ Gross depth	mm	484 / 540	484 / 540
	inch	19 / 21	19 / 21
Net height/ Gross height	mm	985 / 1.130	985 / 1.130
	inch	39 / 44	39 / 44
Net weight/ Gross weight	Kg	154 / 174	184 / 204
	Lb	340 / 384	406 / 450
Net volume / Gross volume	m³	0,92 / 1,15	1,20 / 1,52
	ft³	32,38 / 40,73	42,48 / 53,66
<b>OTHERS</b>			
N° Fume outlet	N°	1	1
Ø Fume outlet	mm	80	80
	inch	3,15	3,15
Air flow	m³/h	500	500
	cfm	294	294
Noise level	dB	60	60

\*20% - 25% residual moisture  
 \*\*Suction disassembly on the left side



	A	B	C	D	E	F	G	H	I	J	K	L	M
P-25/140 M PLUS	1.922	1.862	985	610	1.400	1.480	484	423	91	791	45	75	287
P-25/200 M PLUS	2.522	2.462	985	610	2.000	2.080	484	423	91	791	45	75	287