



FINISHING

STEAM GENERATOR MAXI-24

CHARACTERISTICS

- Electric and automatic steam boiler MAXI-24 to supply steam to models without boiler.
- Available from 12 to 22 kW.
- Water feed can be connected directly to the water mains or to a condensate tank.
- Regulation of the working steam pressure is adjustable between 1 and 7 bar.
- The boiler shed is manufactured in accordance to the current PED regulations.

OPTIONS

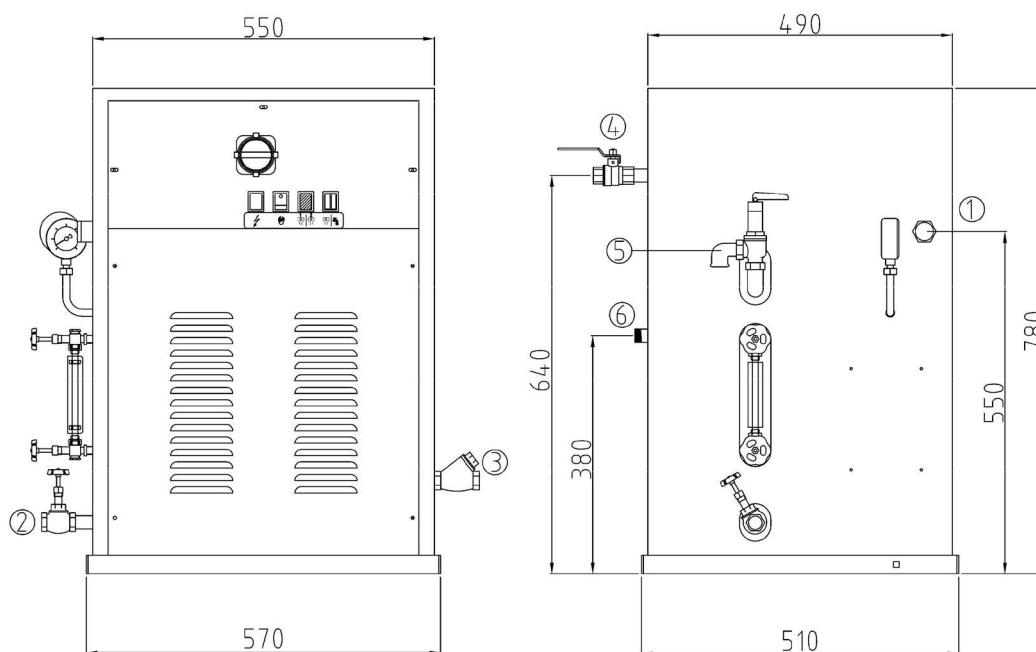
- Stainless steel condensate tank.



TECHNICAL DATA

STEAM GENERATOR | MAXI-24

	U.	MAXI-24
GENERAL DETAILS		
Boiler capacity	l	24,9
Steam pressure	Bar	0,3 - 7
Working temperature	°C	+5 ÷ +80
Working humidity	-	90% max
POWER		
Boiler heaters	kW	12-22
Steam production	Kg/h	16-29,7
Pump motor power	HP	0,5
CONNECTIONS		
Water feeding inlet	Inch	1/2"
Boiler exhaust	Inch	1/2"
Steam inlet	Inch	1/2"
Condensate return with valve	Inch	1/2"
DIMENSIONS		
Dimensions	mm	580x660x780
Net weight	kg	85
Gross weight	kg	111
Packing dimensions	mm	880x730x1.050
OTHERS		
Voltage	Hz	230/400 V III 50/60
Sound level	dB	<70



1. PG21 power supply inlet.
2. Boiler exhaust.
3. Water feeding inlet.
4. Steam inlet.
5. Safety valve.
6. Condensate return with valve.



FINISHING ELECTRIC GENERATORS FOR STEAM PRODUCTION AND PROFESSIONAL IRONING TABLE

BETA-3 / SIMBA-MINI / MPA



BETA-3



SIMBA-MINI



MPA+BETA-3

CHARACTERISTICS

BETA-3

- Electric steam boiler of 1,8 lit. capacity (1 kW) with iron.
- Small, thermally insulated, electric steam boiler. Die-cast aluminium boiler. Manually operated water feeding. Drinking water required for its functioning.
- Automatic pressure control by thermostat with fixed setting.
- Trolley as option.

SIMBA-MINI

- Stainless steel electric steam boiler, complete with electric steam iron.
- Water level indicator with warning light for empty boiler.
- Three safety devices fitted on the boiler: pressure switch, safety valve and safety thermostat.
- Manually water feed.
- Casters available on request.

MPA

- Folding ironing table with electrically heated board and built in suction unit.

OPTIONS

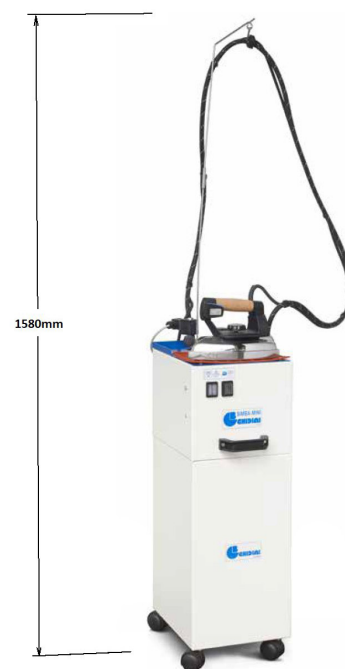
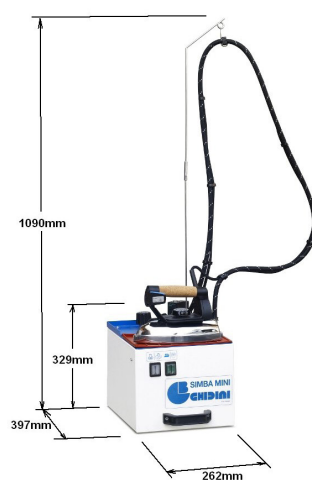
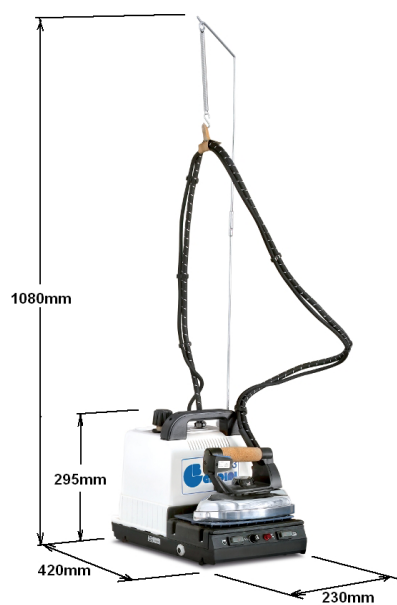
- 5 feet trolley + wheels for BETA-3.
- Wheels support for SIMBA-MINI.

TECHNICAL DATA

ELECTRIC GENERATORS FOR STEAM PRODUCTION AND PROFESSIONAL IRONING TABLE | BETA-3 / SIMBA-MINI / MPA

	U.	BETA-3	SIMBA-MINI
GENERAL DETAILS			
Boiler Heater	kW	1	1,45
Iron Heater	kW	0,83	0,8
Boiler Capacity	l	1,8	5
CONNECTIONS			
Autonomy	-	2/3	5/6
Operating pressure	Bar	2,6	2,8
DIMENSIONS			
Dimensions*	mm	230 x 420 x 1.080	262 x 397 x 1.090
Height with wheel stand mounted (option)	mm	1.880	1.580
Net weight	kg	7,5	11
Gross weight	kg	9	15
Packing dimensions	mm	480 x 390 x 300	600 x 450 x 540
OTHERS			
Voltage	Hz	230V 50/60	230V 50

*Dimensions once assembled



	U.	MPA
GENERAL DETAILS		
Board heater	W	600
Vacuum Motor	W	100
DIMENSIONS		
Working dimensions	mm	1.100 x 380 x 240
Dimensions	mm	1.380 x 380 x 930
Net weight	kg	22
Gross weight	kg	32
Packing dimensions	mm	1.460 x 460 x 380
OTHERS		
Voltage	Hz	230V 50