



# SELF-SERVICE

# CENTRAL PAYMENT KIOSK MY LAUNDRY TIME KIOSK 12

## CHARACTERISTICS

- Central payment with 12.1' screen.
- Connection of the central to the Internet via Ethernet.
- Front or rear opening for maintenance.
- Integrated with FagorKconnect for unlimited connections of Fagor machines via Ethernet - IoT.
- It can be connected by means of pulse communication to other equipment (8 machines per kiosk)\*.

\* Installation of the electronic card offered by Fagor Professional is required in the case of pulse connection.

\*\* For the correct opening of the kiosk door and proper access to the maintenance of its components, it is necessary to leave a minimum space of 25 cm on the left side of the kiosk.



## OPTIONS

- External signal card for pulses.

## SIMPLICITY OF USE

Select the process (washing, drying or ozone cabinets).

\_\_\_\_\_

Select the machine.

\_\_\_\_\_

Select the programme.

\_\_\_\_\_

Pay by placing your card near the **contactless device**.

\_\_\_\_\_

Insert the clothes in the machine and press start.

## GENERAL DATA

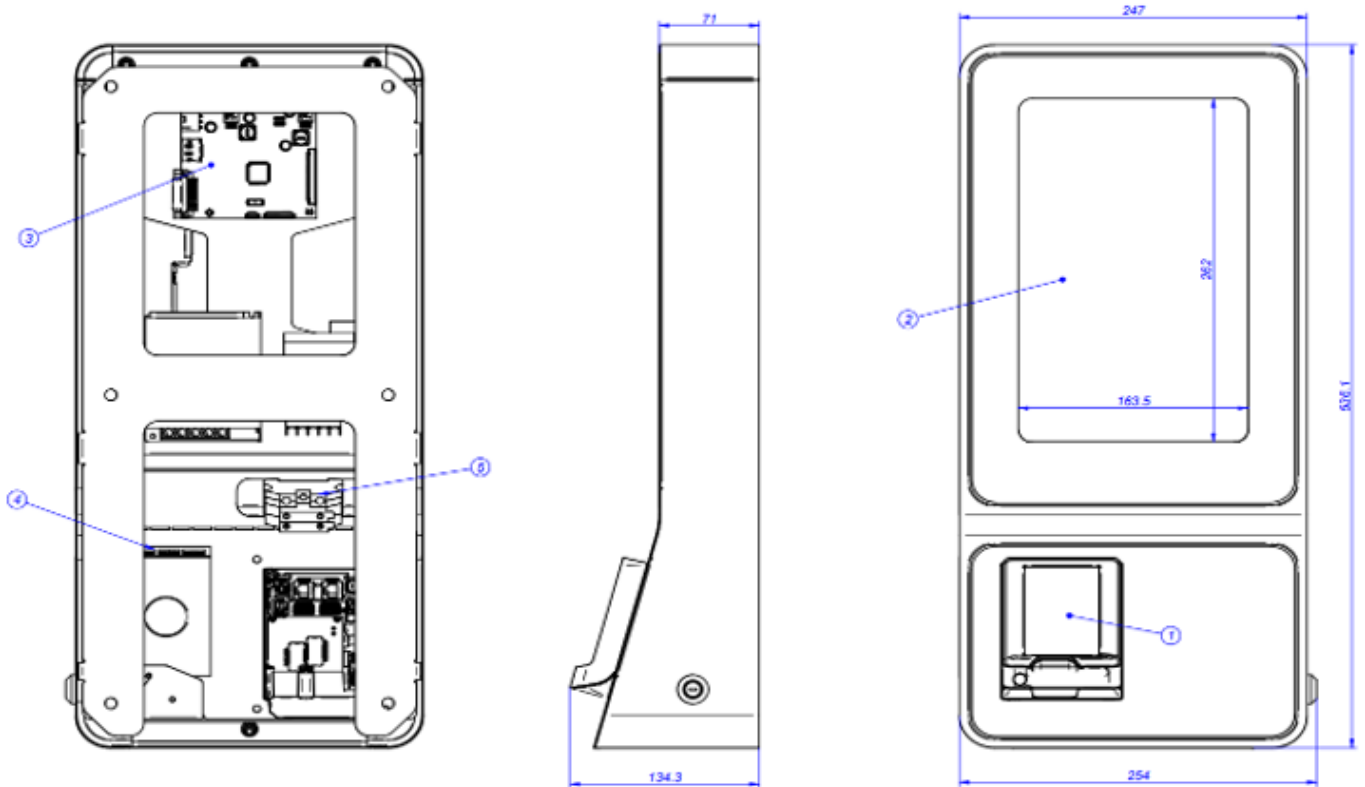
Pulse connection	-	Opt.
Pulse wiring capability	Nº	8
Ethernet connection	-	Yes
Customisable graphics (sticker)	-	Yes
Possibility of wall installation	-	Yes
Maintenance from a back room	-	Yes
Printer option	-	No

## CONNECTIONS

Voltage 230V- I + N +T	Nº x mm² / A	ELECTRIC 2 x 1,5 + T - 16A
------------------------	--------------	-------------------------------

## DIMENSIONS / PACKING DIMENSIONS

Net width / Gross width	mm	254 / 315
Net depth / Gross depth	mm	134,3 / 170
Net height / Gross height	mm	536,1 / 575
Net weight / Gross weight	Kg	5 / 6



- 01. Dataphone
- 02. Screen 12,1"
- 03. Controller
- 04. Ethernet connection
- 05. Electrical connections



# SELF-SERVICE

# CENTRAL PAYMENT KIOSK MY LAUNDRY TIME KIOSK 32

## CHARACTERISTICS

- Central payment with 32" screen.
- Connection of the central to the Internet via Ethernet.
- Front or rear opening for maintenance.
- Integrated with FagorKconnect for unlimited connections of Fagor machines via Ethernet - IoT.
- It can be connected by means of pulse communication to other equipment (8 machines per kiosk)\*.

\* Installation of the electronic card offered by Fagor Professional is required in the case of pulse connection.

\*\* For the correct opening of the kiosk door and proper access to the maintenance of its components, it is necessary to leave a minimum space of 25 cm on the left side of the kiosk.



## OPTIONS

- External signal card for pulses.

## SIMPLICITY OF USE

Select the process (washing, drying or ozone cabinets).

\_\_\_\_\_

Select the machine.

\_\_\_\_\_

Select the programme.

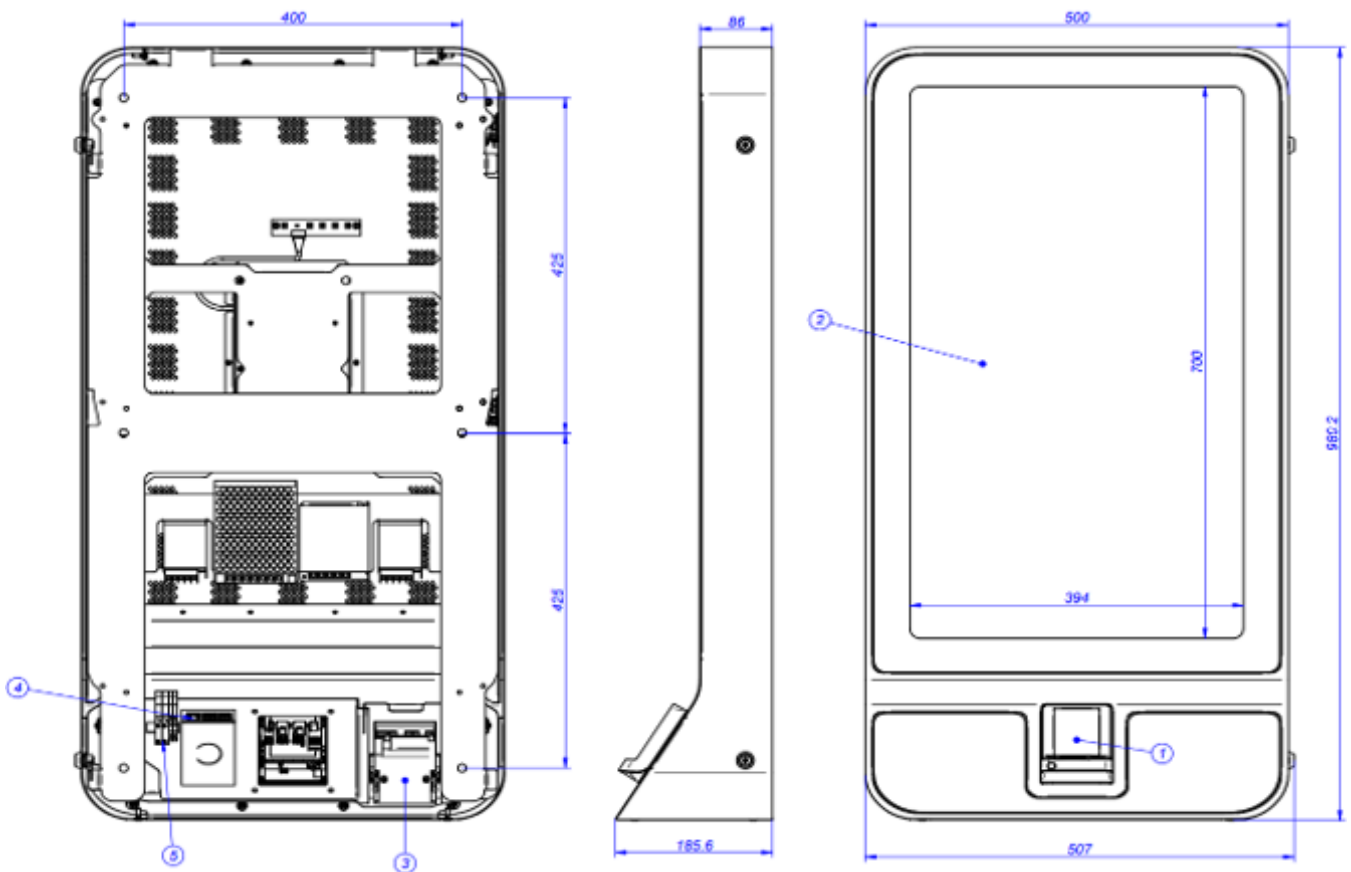
\_\_\_\_\_

Pay by placing your card near the **contactless device**.

\_\_\_\_\_

Insert the clothes in the machine and press start.

GENERAL DATA		
Pulse connection	-	Opt.
Pulse wiring capability	Nº	8
Ethernet connection	-	Yes
Customisable graphics (sticker)	-	Yes
Possibility of wall installation	-	Yes
Maintenance from a back room	-	Yes
Printer option	-	Yes
CONNECTIONS		ELECTRIC
Voltage 230V- I + N +T	Nº x mm <sup>2</sup> / A	2 x 1,5 + T - 16A
DIMENSIONS / PACKING DIMENSIONS		
Net width / Gross width	mm	507 / 565
Net depth / Gross depth	mm	185,6 / 220
Net height / Gross height	mm	980,2 / 1.050
Net weight / Gross weight	Kg	22,5 / 25



#### WITH ENABLED REAR ROOM

All wiring concealed and possibility of manipulation of components through the rear.

For this purpose, it is recommended to drill a cavity in the wall respecting the fixing points of the Kiosk anchoring piece.

#### WITHOUT REAR ROOM

A cable outlet is required at the front, which contains the Ethernet cable, power supply and pulse wiring.

By opening a lock on the side, it is possible to move the whole assembly (leaving only the anchoring piece on the wall) in order to carry out maintenance of the components.

- 01. Dataphone
- 02. Screen 31,5"
- 03. Printer (optional)
- 04. Ethernet connection
- 05. Electrical connections



# SELF-SERVICE

# CENTRAL PAYMENT KIOSK

## MY LAUNDRY TIME KIOSK 32 + PRINTER



### CHARACTERISTICS

- Central payment with 32" screen.
- Connection of the central to the Internet via Ethernet.
- Front or rear opening for maintenance.
- Integrated with FagorKconnect for unlimited connections of Fagor machines via Ethernet - IoT.
- It can be connected by means of pulse communication to other equipment (8 machines per kiosk)\*.

\* Installation of the electronic card offered by Fagor Professional is required in the case of pulse connection.

\*\* For the correct opening of the kiosk door and proper access to the maintenance of its components, it is necessary to leave a minimum space of 25 cm on the left side of the kiosk.

### OPTIONS

- External signal card for pulses.

### SIMPLICITY OF USE

Select the process (washing, drying or ozone cabinets).

\_\_\_\_\_

Select the machine.

\_\_\_\_\_

Select the programme.

\_\_\_\_\_

Pay by placing your card near the **contactless device**.

\_\_\_\_\_

Insert the clothes in the machine and press start.

## GENERAL DATA

Pulse connection	-	Opt.
Pulse wiring capability	Nº	8
Ethernet connection	-	Yes
Customisable graphics (sticker)	-	Yes
Possibility of wall installation	-	Yes
Maintenance from a back room	-	Yes
Printer option	-	Yes

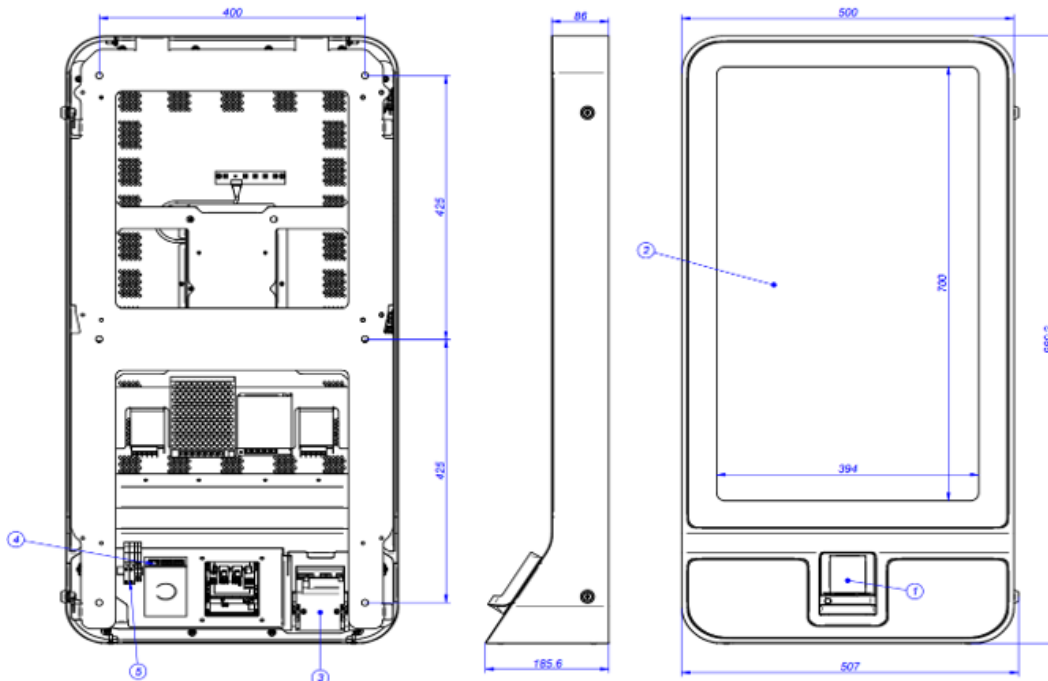
## CONNECTIONS

## ELECTRIC

Voltage 230V- I + N +T	Nº x mm <sup>2</sup> / A	2 x 1,5 + T - 16A
------------------------	--------------------------	-------------------

## DIMENSIONS / PACKING DIMENSIONS

Net width / Gross width	mm	507 / 565
Net depth / Gross depth	mm	185,6 / 220
Net height / Gross height	mm	980,2 / 1.050
Net weight / Gross weight	Kg	22,5 / 25

**WITH ENABLED REAR ROOM**

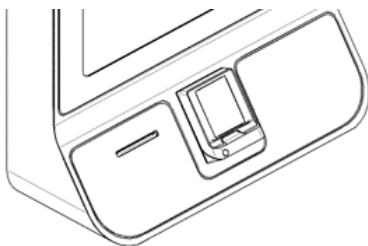
All wiring concealed and possibility of manipulation of components through the rear.

For this purpose, it is recommended to drill a cavity in the respecting the fixing points of the Kiosk anchoring piece.

**WITHOUT ENABLED REAR ROOM**

A cable outlet is required at the front, which contains the Ethernet cable, power supply and pulse wiring.

By opening a lock on the side, it is possible to move the whole assembly (leaving only the anchoring piece on the wall) in order to carry out maintenance of the components.

**PRINTER OPTION**

In order to facilitate the maintenance of the Kiosk with printer, a lockable front opening has been fitted. This is specially designed for the quick replacement of printing paper.

Not available on the 12" Kiosk.

- 01. Dataphone
- 02. Screen 31,5"
- 03. Printer
- 04. Ethernet connection
- 05. Electrical connections