



STATIC
PREPARATION



Sinks, hand basins, professional faucets

Sinks.....	435
— 500 Range	435
— 600 Range	437
— 700 Range	439
— Large capacity.....	441
— With sorting hole.....	442
— Food processing	443
— Pot wash.....	443
— Accessories.....	444
— Options	445
Wall and floor type hand basins...	446
Professional faucets	447
— Shower units	447
— Manual faucets	450
— Sensor faucets	451
— Hose reels	451
— Accessories.....	452

500 Range



SK-510 WD B1 D1R



See options

Sinks

- Worktop made from AISI-304 18/10 stainless steel with satin finish, 0,8 mm thickness and overflow rim.
- 500 mm width worktop, with integral backsplash of 30 mm and 30 mm front edge.
- Single-pressed, sound-proof bowl.
- Drain valve and overflow pipe for each bowl.

Sink with legs

- Frame entirely built in stainless steel to ensure maximum durability.
- Square section stainless steel legs 30x30 mm.
- 850 mm height with stainless steel height-adjustable feet (-10 mm / + 50 mm).
- **Supplied assembled.**



MODEL	DIMENSIONS (mm)	BOWL DIMENSION (mm)	SINK		€	SINK WITH LEGS		€
				T		L		
SK-510	1.000x500		B1 D1R	340x365x150	19092980	-	19092984	-
			B1 D1L	340x365x150	19092981	-	19092985	-
SK-513	1.350x500		B2 D1R	340x365x150	19092982	-	19092986	-
			B2 D1L	340x365x150	19092983	-	19092987	-

Sink cabinet with door for undercounter dishwasher



- Designed to add a dishwasher.
- Frame entirely built in stainless steel to ensure maximum durability.
- Lower base reinforced with profile to guarantee greater robustness.
- Square section stainless steel legs 30x30 mm.
- 850 mm height with stainless steel height-adjustable feet (-10 mm / + 50 mm).
- Open back for access to the facilities.
- **Supplied assembled (except sink).**
- **Option door lock.**

MODEL	DIMENSIONS (mm)	BOWL DIMENSION (mm)	SINK CABINETS WITH DOOR WD	€
SK-510	1.000x500		B1 D1R 340x365x150	19092988 -
			B1 D1L 340x365x150	19092989 -
SK-513	1.350x500		B2 D1R 340x365x150	19092990 -
			B2 D1L 340x365x150	19092991 -

Accessories

Wall brackets for 500 Range sinks

- Made from stainless steel.
- Compatible with 500 Range sinks.
- Set of two (2) brackets (left + right).

MODEL	CODE	€
S-5	19092487	-



600 Range



SK-620 S B2 D2RL



See options

Sinks

- Worktop made from AISI-304 18/10 stainless steel with satin finish, 1 mm thickness and overflow rim.
- 600 mm width worktop, with integral backsplash of 100 x 15 mm thick, 50 mm front edge with welded corners.

- Single-pressed, sound-proof bowl.
- Drain valve and overflow pipe for each bowl.

Sinks with legs

- Designed to add a lower shelf (accessory).
- Frame entirely built in stainless steel to ensure maximum durability.
- Square section stainless steel legs 40x40 mm.
- Rear legs set back 40 mm for floors with sanitary radius.

- 850 mm height with stainless steel height-adjustable feet (-10 mm / + 50 mm).
- **Supplied disassembled.**
- **Option shipped assembled.**



MODEL	DIMENSIONS (mm)		BOWL DIMENSIONS (mm)	SINK		€	SINK WITH LEGS		€	SINK WITH LEGS AND SHELF		€
					T			T			T	
SK-66	600x600		B1	500x400x250	19092992	-	19093008	-	19093024	-		
SK-610	1.000x600		B1 D1R	400x400x250	19092993	-	19093009	-	19093025	-		
			B1 D1L	400x400x250	19092994	-	19093010	-	19093026	-		
			B2	400x400x250	19092995	-	19093011	-	19093027	-		
SK-612	1.200x600		B1 D1R	500x400x250	19092996	-	19093012	-	19093028	-		
			B1 D1L	500x400x250	19092997	-	19093013	-	19093029	-		
			B2	500x400x250	19092998	-	19093014	-	19093030	-		
SK-614	1.400x600		B2 D1R	400x400x250	19092999	-	19093015	-	19093031	-		
			B2 D1L	400x400x250	19093000	-	19093016	-	19093032	-		
			B1 D1R	500x400x250	19093001	-	19093017	-	19093033	-		
			B1 D1L	500x400x250	19093002	-	19093018	-	19093034	-		
SK-616	1.600x600		B2 D1R	500x400x250	19093003	-	19093019	-	19093035	-		
			B2 D1L	500x400x250	19093004	-	19093020	-	19093036	-		
SK-618	1.800x600		B2 D1R	500x400x250	19093005	-	19093021	-	19093037	-		
			B2 D1L	500x400x250	19093006	-	19093022	-	19093038	-		
SK-620	2.000x600		B2 D2RL	500x400x250	19093007	-	19093023	-	19093039	-		

Sink cabinets with doors

- Frame entirely built in stainless steel to ensure maximum durability.
- Lower base reinforced with profile to guarantee greater robustness.
- Square section stainless steel legs 40x40 mm.
- Rear legs set back 40 mm for floors with sanitary radius.
- Open back for access to the facilities.

- 850 mm height with stainless steel heightadjustable feet (-10 mm / + 50 mm).
- **Supplied assembled.**
- **Option door lock..**



MODEL	DIMENSIONS (mm)		BOWL DIMENSIONS (mm)	SINK CABINETS WITH DOOR		DOOR TYPE	€
					D		
SK-66	600x600		B1	500x400x250	19093040	Swing	-
SK-610	1.000x600		B1 D1R	400x400x250	19093041	Sliding	-
			B1 D1L	400x400x250	19093042	Sliding	-
			B2	400x400x250	19093043	Sliding	-
SK-612	1.200x600		B1 D1R	500x400x250	19093044	Sliding	-
			B1 D1L	500x400x250	19093045	Sliding	-
			B2	500x400x250	19093046	Sliding	-
SK-614	1.400x600		B2 D1R	400x400x250	19093047	Sliding	-
			B2 D1L	400x400x250	19093048	Sliding	-
			B1 D1R	500x400x250	19093049	Sliding	-
			B1 D1L	500x400x250	19093050	Sliding	-
SK-616	1.600x600		B2 D1R	500x400x250	19093051	Sliding	-
			B2 D1L	500x400x250	19093052	Sliding	-
SK-618	1.800x600		B2 D1R	500x400x250	19093053	Sliding	-
			B2 D1L	500x400x250	19093054	Sliding	-
SK-620	2.000x600		B2 D2RL	500x400x250	19093055	Sliding	-

Sink cabinet with door for undercounter dishwasher

- Designed to add a dishwasher and a lower shelf (accessory).
- Frame entirely built in stainless steel to ensure maximum durability.
- Square section stainless steel legs 40x40 mm.
- Rear legs set back 40 mm for floors with sanitary radius.

- 850 mm height with stainless steel heightadjustable feet (-10 mm / + 50 mm).
- Supplied disassembled.
- **Models with doors are supplied assembled (except sinks).**
- **Option shipped assembled.**
- **Option door lock.**



MODEL	DIMENSIONS (mm)		BOWL DIMENSIONS (mm)	SINK WITH LEGS		€	SINK WITH LEGS AND SHELF		€	SINK CABINETS WITH DOOR	DOOR TYPE	€
				WL			WS					
SK-612	1.200x600		B1 D1R	500x400x250	19093056	-	19093062	-	19093068	Swing	-	
			B1 D1L	400x400x250	19093057	-	19093063	-	19093069	Swing	-	
SK-614	1.400x600		B1 D1R	400x400x250	19093058	-	19093064	-	19093070	Swing	-	
			B1 D1L	400x400x250	19093059	-	19093065	-	19093071	Swing	-	
SK-618	1.800x600		B1 D1R	500x400x250	19093060	-	19093066	-	19093072	Sliding	-	
			B1 D1L	500x400x250	19093061	-	19093067	-	19093073	Sliding	-	

700 Range



SK-716 S B2 D1L



See options

Sinks

- Worktop made from AISI-304 18/10 stainless steel with satin finish, 1 mm thickness and overflow rim.
- 700 mm width worktop, with integral backsplash of 100 x 15 mm thick, 50 mm front edge with welded corners.

- Single-pressed, sound-proof bowl.
- Drain valve and overflow pipe for each bowl.

Sinks with legs

- Designed to add a lower shelf (accessory).
- Frame entirely built in stainless steel to ensure maximum durability.
- Square section stainless steel legs 40x40 mm.
- Rear legs set back 40 mm for floors with sanitary radius.

- 850 mm height with stainless steel height-adjustable feet (-10 mm / + 50 mm).
- **Supplied disassembled.**
- **Option shipped assembled.**



MODEL	DIMENSIONS (mm)		BOWL DIMENSIONS (mm)	SINK		€	SINK WITH LEGS		€	SINK WITH LEGS AND SHELF		€
				T			L	S				
SK-77	700x700		B1	500x500x300	19093074	-	19093092	-	19093110	-	-	
SK-710	1.000x700		B1 D1R	400x500x300	19093075	-	19093093	-	19093111	-	-	
			B1 D1L	400x500x300	19093076	-	19093094	-	19093112	-	-	
			B2	400x500x300	19093077	-	19093095	-	19093113	-	-	
SK-712	1.200x700		B1 D1R	500x500x300	19093078	-	19093096	-	19093114	-	-	
			B1 D1L	500x500x300	19093079	-	19093097	-	19093115	-	-	
			B2	500x500x300	19093080	-	19093098	-	19093116	-	-	
SK-714	1.400x700		B1 D1R	600x500x300	19093081	-	19093099	-	19093117	-	-	
			B1 D1L	600x500x300	19093082	-	19093100	-	19093118	-	-	
			B2	600x500x300	19093083	-	19093101	-	19093119	-	-	
SK-716	1.600x700		B2 D1R	500x500x300	19093084	-	19093102	-	19093120	-	-	
			B2 D1L	500x500x300	19093085	-	19093103	-	19093121	-	-	
SK-718	1.800x700		B2 D1R	500x500x300	19093086	-	19093104	-	19093122	-	-	
			B2 D1L	500x500x300	19093087	-	19093105	-	19093123	-	-	
			B3	500x500x300	19093088	-	19093106	-	19093124	-	-	
SK-720	2.000x700		B2 D1R	600x500x300	19093089	-	19093107	-	19093125	-	-	
			B2 D1L	600x500x300	19093090	-	19093108	-	19093126	-	-	

Sink cabinets with doors

- Frame entirely built in stainless steel to ensure maximum durability.
- Lower base reinforced with profile to guarantee greater robustness.
- Square section stainless steel legs 40x40 mm.
- Rear legs set back 40 mm for floors with sanitary radius.

- Open back for access to the facilities.
- 850 mm height with stainless steel height-adjustable feet (-10 mm / + 50 mm).
- **Supplied assembled.**
- **Option door lock.**



MODEL	DIMENSIONS (mm)		BOWL DIMENSIONS (mm)	SINK CABINETS WITH DOOR		€	
				D	DOOR TYPE		
SK-77	700x700		B1	500x500x300	19093128	Swing	-
SK-710	1.000x700		B1 D1R	400x500x300	19093129	Sliding	-
			B1 D1L	400x500x300	19093130	Sliding	-
SK-712	1.200x700		B2	400x500x300	19093131	Sliding	-
			B1 D1R	500x500x300	19093132	Sliding	-
			B1 D1L	500x500x300	19093133	Sliding	-
SK-714	1.400x700		B2	500x500x300	19093134	Sliding	-
			B1 D1R	600x500x300	19093135	Sliding	-
			B1 D1L	600x500x300	19093136	Sliding	-
SK-716	1.600x700		B2	600x500x300	19093137	Sliding	-
			B2 D1R	500x500x300	19093138	Sliding	-
			B2 D1L	500x500x300	19093139	Sliding	-
SK-718	1.800x700		B2	500x500x300	19093140	Sliding	-
			B2 D1R	500x500x300	19093141	Sliding	-
			B2 D1L	500x500x300	19093142	Sliding	-
SK-720	2.000x700		B3	500x500x300	19093143	Sliding	-
			B2 D1R	600x500x300	19093144	Sliding	-

Sink cabinet with door for undercounter dishwasher

- Designed to add a dishwasher and a lower shelf (accessory).
- Frame entirely built in stainless steel to ensure maximum durability.
- Square section stainless steel legs 40x40 mm.
- Rear legs set back 40 mm for floors with sanitary radius.

- 850 mm height with stainless steel height-adjustable feet (-10 mm / + 50 mm).
- Supplied disassembled.
- Models with doors are supplied assembled (except sinks).
- **Option shipped assembled.**
- **Option door lock.**



MODEL	DIMENSIONS (mm)		BOWL DIMENSIONS (mm)	SINK WITH LEGS		SINK WITH LEGS AND SHELF		SINK CABINETS WITH DOOR		€	
				WL	€	WS	€	WD	DOOR TYPE		
SK-712	1.200x700		B1 D1R	500x500x300	19093145	-	19093151	-	19093157	Swing	-
			B1 D1L	500x500x300	19093146	-	19093152	-	19093158	Swing	-
SK-714	1.400x700		B1 D1R	600x500x300	19093147	-	19093153	-	19093159	Swing	-
			B1 D1L	600x500x300	19093148	-	19093154	-	19093160	Swing	-
SK-718	1.800x700		B2 D1R	500x500x300	19093149	-	19093155	-	19093161	Sliding	-
			B2 D1L	500x500x300	19093150	-	19093156	-	19093162	Sliding	-

Large capacity



See options

Sinks

- Worktop made from AISI-304 18/10 stainless steel with satin finish, 1 mm thickness and overflow rim.

- 700 mm width worktop, with integral backsplash of 100 x 15 mm thick, 50 mm front edge with welded corners.

- Single-pressed, sound-proof bowl.
- Drain valve and overflow pipe for each bowl.

Sinks with legs

- Designed to add a lower shelf (accessory).
- Frame entirely built in stainless steel to ensure maximum durability.
- Square section stainless steel legs

40x40 mm.
- Rear legs set back 40 mm for floors with sanitary radius.
- 850 mm height with stainless steel height-

adjustable feet (-10 mm / + 50 mm).
- **Supplied disassembled.**
- **Option shipped assembled.**

Sink cabinets with doors

- Frame entirely built in stainless steel to ensure maximum durability.
- Lower base reinforced with profile to guarantee greater robustness.
- Square section stainless steel legs

40x40 mm.
- Rear legs set back 40 mm for floors with sanitary radius.
- Open back for access to the facilities.

- 850 mm height with stainless steel height-adjustable feet (-10 mm / + 50 mm).
- **Supplied assembled.**
- **Option door lock.**



MODEL	DIMENSIONS (mm)	BOWL DIMENSIONS (mm)	SINK		SINK WITH LEGS		WITH LEGS AND SHELF		SINK CABINETS WITH DOOR		
			T	€	L	€	S	€	D	€	
SKBB-710	1.000x700	B1	800x500x400	19093163	-	19093169	-	19093175	-	19093181	-
SKBB-712	1.200x700	B1	955x510x380	19093164	-	19093170	-	19093176	-	19093182	-
SKBB-714	1.400x700	B1	1.280x510x380	19093165	-	19093171	-	19093177	-	19093183	-
SKBB-718	1.800x700	B2	800x500x400	19093167	-	19093173	-	19093179	-	19093185	-

Accessories

Sliding drainer

- Specially designed to be installed on large capacity sinks to facilitate drainage.
- Made from stainless steel.

MODEL	CODE	DIMENSIONS (mm)	€
SG-35	19092488	400x500	-



With sorting hole



SK-614 L B1 S1L



See options

Sinks

- Worktop made from AISI-304 18/10 stainless steel with satin finish, 1 mm thickness and overflow rim.
- Worktop with backsplash of 100 x 15 mm

- thick, 50 mm front edge with welded corners.
- Single-pressed, sound-proof bowl.
- Drain valve and overflow pipe for each bowl.

- Sorting hole to throw waste into. A waste bin (not included) could be placed under the counter.

Sinks with legs

- Designed to add a lower shelf (accessory).
- Frame entirely built in stainless steel to ensure maximum durability.
- Square section stainless steel legs

- 40x40 mm.
- Rear legs set back 40 mm for floors with sanitary radius.
- 850 mm height with stainless steel height-

- adjustable feet (-10 mm / + 50 mm).
- **Supplied disassembled.**
- **Option shipped assembled.**

600 Range



MODEL	DIMENSIONS (mm)	BOWL DIMENSIONS (mm)	SINK		SINK WITH LEGS		WITH LEGS FOR UNDERCOUNTER DISHWASHER		
			T	€	L	€	WL	€	
SK-614	1.400x600	500x400x250	B1 S1L	19093187	-	19093191	-	-	-
			B1 S1R	19093188	-	19093192	-	-	-
SK-618	1.800x600	500x400x250	B1 D1R S1L	19093189	-	19093193	-	19093195	-
			B1 D1L S1R	19093190	-	19093194	-	19093196	-

700 Range



MODEL	DIMENSIONS (mm)	BOWL DIMENSIONS (mm)	SINK		SINK WITH LEGS		WITH LEGS FOR UNDERCOUNTER DISHWASHER		
			T	€	L	€	WL	€	
SK-714	1.400x700	500x500x300	B1 S1L	19093197	-	19093201	-	-	-
			B1 S1R	19093198	-	19093202	-	-	-
SK-718	1.800x700	500x500x300	B1 D1R S1L	19093199	-	19093203	-	19093205	-
			B1 D1L S1R	19093200	-	19093204	-	19093206	-

Food processing



SKMFP-714 L

 See options

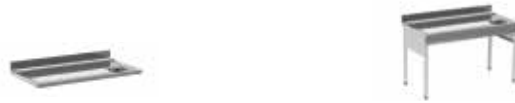
Sinks

- Worktop made from AISI-304 18/10 stainless steel with satin finish, 1 mm thickness and overflow rim, specially designed to clean fresh food.
- 700 mm width worktop, with integral backsplash of 100 x 15 mm thick, 50 mm front edge with welded corners.
- Sorting hole to throw waste into. A waste bin (not included) could be placed under the counter.
- SKVEP model: overflow pipe, 2" drain hole and a sound-proof large capacity bowl with the possibility of superimposing GN 1/3, 1/2, 1/1, 2/3 pans. 20 mm thick polyethylene cutting board.
- SKMFP model: perforated tray for draining or defrosting, with recess in diamond point finish and centered drain. 20 mm thick polythene cutting board.

Sinks with legs

- Designed to add a lower shelf (accessory).
- Frame entirely built in stainless steel to ensure maximum durability.
- Square section stainless steel legs 40x40 mm.
- Rear legs set back 40 mm for floors with sanitary radius.

- 850 mm height with stainless steel height-adjustable feet (-10 mm / + 50 mm).
- **Supplied disassembled.**
- **Option shipped assembled.**



700 Range

DESCRIPTION	DIMENSIONS (mm)	BOWL DIMENSIONS (mm)	MODEL	SINK	€	MODEL	SINK WITH LEGS	€
Vegetable preparation table	1.400x700	1.140x320x170	SKVEP-714 T	19093207	-	SKVEP-714 L	19093209	-
Meat and fish preparation table	1.400x700	1.140x320x30	SKMFP-714 T	19093208	-	SKMFP-714 L	19093210	-

Pot wash



SKDU-66 F

- Worktop made from AISI-304 18/10 stainless steel with satin finish, 1 mm thickness and overflow rim, specially designed to fill and empty large pots.
- Worktop with backsplash of 100 x 15 mm thick, 50 mm front edge with welded corners.
- Single-pressed, sound-proof bowl.
- Drain valve and overflow pipe for each bowl.
- Removable grid to support large pots, included.
- Frame entirely built in stainless steel to ensure maximum durability.
- Square section stainless steel legs 40 x 40 mm.
- Rear legs set back 40 mm for floors with sanitary radius.
- 555 mm height with stainless steel height-adjustable feet (-10 mm / + 50 mm).
- **Supplied assembled.**

DIMENSIONS (mm)	BOWL DIMENSIONS (mm)	MODEL	CODE	€
600x600x555	500x400x250	SKDU-66 F	19093211	-
700x700x555	500x500x300	SKDU-77 F	19093212	-

Accessories

Detached side splash

- Specially designed to be assembled easily on any sink.
- Made from AISI-304 18/10 stainless steel.



RANGE	MODEL	CODE	SIDE	€
600	TPB-6 R	19092813	Right	-
	TPB-6 L	19092814	Left	-
700	TPB-7 R	19092815	Right	-
	TPB-7 L	19092816	Left	-

Perforated bottom

- Specially designed to be assembled at the bottom of the bowls to facilitate the cleaning of food.
- Made from AISI-304 18/10 stainless steel.



BOWL DIMENSIONS (mm)	HOLE POSITION	MODEL	CODE	€
400x400	Right/Left	SKFPB-44	19092977	-
	Right	SKFPB-54 R	19092780	-
500x400	Left	SKFPB-54 L	19092489	-
	Right/Left	SKFPB-55	19092782	-
600x500	Right	SKFPB-65 R	19092784	-
	Left	SKFPB-65 L	19092783	-

Shelves

- Made from AISI-304 18/10 stainless steel with satin finish.
- Lower base reinforced with profile to guarantee greater robustness.
- Assembly by fixing four (4) screws.



See options

DIMENSIONS (mm)	MODEL	600 RANGE	€	MODEL	700 RANGE	€
FOR SINKS WITH LEGS						
600	NS-66	19094220	-	-	-	-
700	-	-	-	NS-77	19094240	-
1.000	NS-610	19094224	-	NS-710	19094243	-
1.200	NS-612	19094226	-	NS-712	19094245	-
1.400	NS-614	19094228	-	NS-714	19094247	-
1.600	NS-616	19094230	-	NS-716	19094249	-
1.800	NS-618	19094232	-	NS-718	19094251	-
2.000	NS-620	19094234	-	NS-720	19094253	-
FOR SINKS WITH LEGS AND UNDERCOUNTER DISHWASHER						
1.200	NS-66	19094220	-	NS-76	19094206	-
1.400	NS-66	19094220	-	NS-77	19094240	-
1.800	NS-612	19094226	-	NS-712	19094245	-

Wall brackets

- Made from stainless steel.
- Compatible with worktops and 600/700 range sinks, except 600 x 600 mm and pot wash sinks.
- Price for a unit.



DESCRIPTION	MODEL	CODE	€ / Unid
Wall bracket	C-6	19092785	-
Bracket with leg	CP-6	19092786	-

Sorting hole lid

- Specially designed to be placed on the sorting hole to cover it.



MODEL	CODE	€
RL-232	19092820	-



Options

Option shipped assembled.

ABBREVIATION	CODE	DIMENSIONS (mm)	€
A	0201-0001	Up to 1.200 mm	-
A	0201-0002	Up to 2.000 mm	-
A	0201-0003	Up to 2.800 mm	-

Option element height.

ABBREVIATION	CODE	DIMENSIONS (mm)	€
H9	0202-0001	900 mm (-10/+50)	-


Option stainless steel reinforcements with profile.

ABBREVIATION ONE (1) SHELF	CODE	DIMENSIONS (mm)	€
SS	0205-0006	Up to 1.200 mm	-
SS	0205-0007	Up to 1.600 mm	-
SS	0205-0008	Up to 2.000 mm	-

Option door lock.

ABBREVIATION	CODE	DESCRIPTION	€
CR	0206-0001	One (1) lock	-

Option faucet hole Ø 33 mm.

ABBREVIATION	CODE	DESCRIPTION	€
33R1	0208-0001	 One (1) hole to the right	-
33L1	0208-0002	 One (1) hole to the left	-
33C1	0208-0003	 One (1) hole centered	-
33B1	0208-0004	 One (1) hole between two (2) bowls	-
33R2	0208-0005	 Two (2) holes to the right	-
33L2	0208-0006	 Two (2) holes to the left	-
33C2	0208-0007	 Two (2) holes centered	-
33B2	0208-0008	 Two (2) holes between three (3) bowls	-
33R3	0208-0009	 Three (3) holes to the right	-
33L3	0208-0010	 Three (3) holes to the left	-
33C3	0208-0011	 Three (3) holes centered	-

Note: For sinks with legs and undercounter dishwasher, the hole cannot be located between the drainer and the bowl.

Wall and floor type hand basins



HWW-44



HWF-44

- Entirely made from stainless steel.
- Deep drawn bowl with fully welded corners.
- Supplied fully equipped, ready to install.

- Include as standard equipment:
 - Mixer and taps to regulate the flow of hot and cold water.
 - 1/2 "flexible tubes for high pressure water.
 - Drain valve.

- In floor type: front door.

Rotating spout

- Easy-to-operate push button and rotating spout.

MODEL	CODE	DIMENSIONS (mm)	BOWL DIMENSIONS (mm)	SOAP DISPENSER	NUMBER OF PUSHBUTTONS	€
WALL TYPE HAND BASINS						
HWW-33	19092821	350x315x173	Ø 225x105	No	-	-
HWW-44	19092822	400x400x173	Ø 360x130	No	-	-
HWW-44-D	19092823	400x400x173	Ø 360x130	Yes	-	-
FLOOR TYPE HAND BASINS						
HWF-44	19092826	400x440x850	Ø 360x130	No	1	-
HWF-44-D	19092827	400x440x850	Ø 360x130	Yes	1	-

Electronic tap

- Electronic tap with electrical connection 230V 1N 50/60 Hz.

MODEL	CODE	DIMENSIONS (mm)	BOWL DIMENSIONS (mm)	SOAP DISPENSER	€
WALL TYPE HAND BASINS					
HWW-44-E	19092824	400x400x173	Ø 360x130	No	-
HWW-44-E-D	19092825	400x400x173	Ø 360x130	Yes	-
FLOOR TYPE HAND BASINS					
HWF-44-E	19092828	400x440x850	Ø 360x130	No	-
HWF-44-E-D	19092829	400x440x850	Ø 360x130	Yes	-

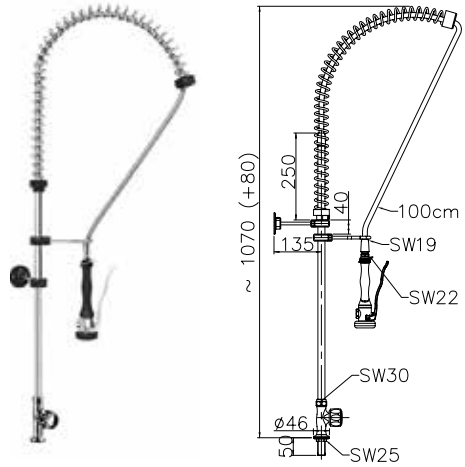
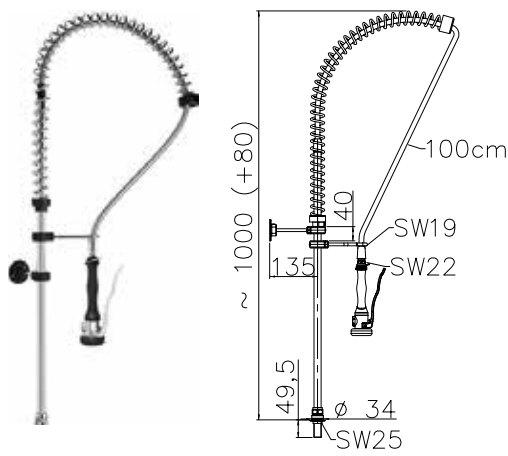
Shower units

1200 mm height

- High-quality, durable and ergonomic shower unit. Designed for intensive use in professional kitchens.
- Polished chrome plated brass body, with steel spring hose and flexible tube with protective coating in transparent plastic resistant to high temperature and water pressure.

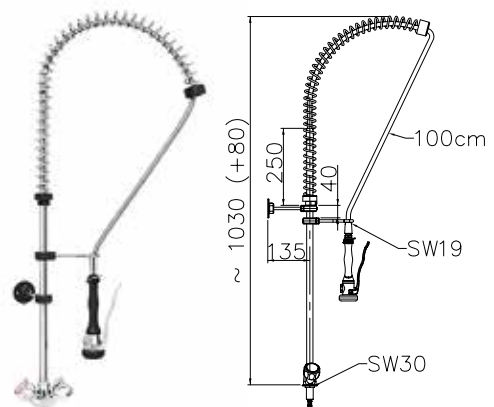
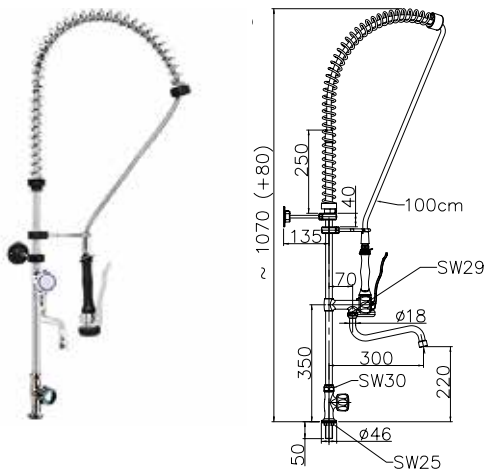
- Support column in AISI-304 18/10 stainless steel, for lasting protection against corrosion.
- Ergonomic shower with anti-heat plastic handle, flow regulation, with clip ring for continuous use and non-return valve.

- Connecting tubes and all needed accessories for installation included.
- Aerators to reduce the flow rate, to be ordered separately (see accessories).



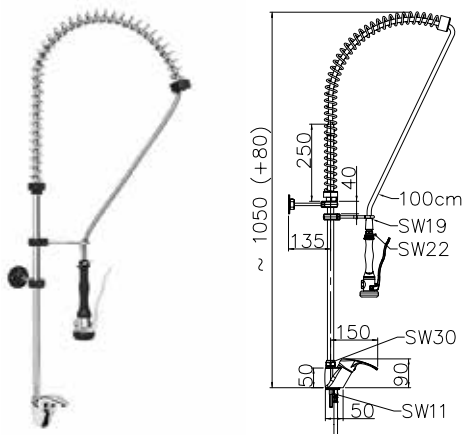
MODEL	CODE	DESCRIPTION	€
FPD-11	19095041	Direct water shower unit	-

MODEL	CODE	DESCRIPTION	€
FPTH-11	19095042	One-hole connection shower unit	-

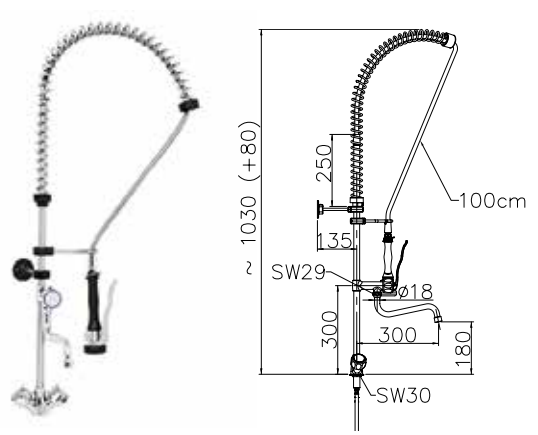


MODEL	CODE	DESCRIPTION	€
FPTH-11-MS	19095043	One-hole shower unit with faucet	-

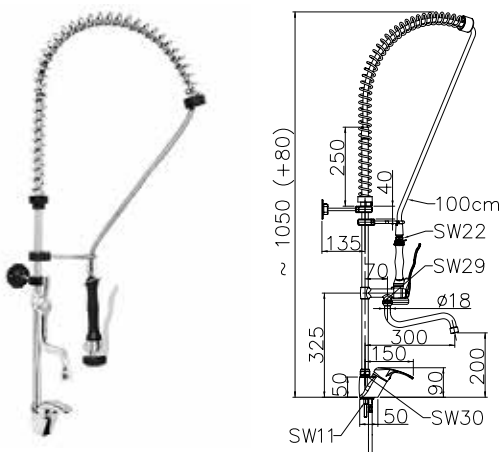
MODEL	CODE	DESCRIPTION	€
FPTH-21	19095044	Two-hole connection shower unit	-



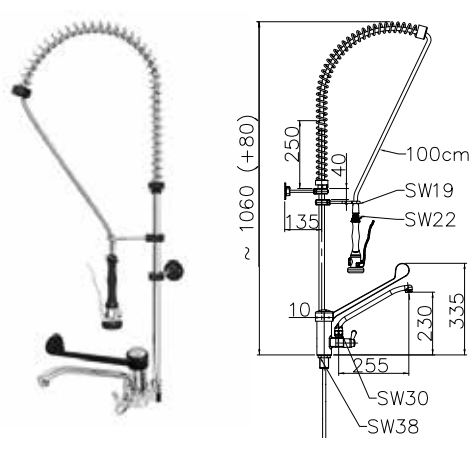
MODEL	CODE	DESCRIPTION	€
FPSL-21	19095045	Two-hole shower unit with single lever	-



MODEL	CODE	DESCRIPTION	€
FPTH-21-MS	19095046	Two-hole shower unit with faucet	-

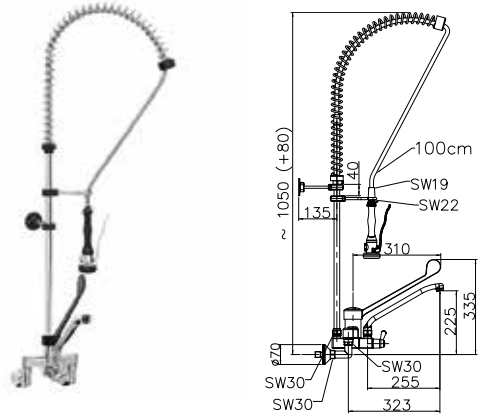
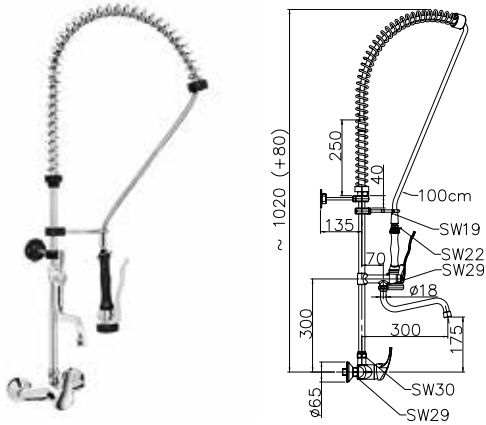


MODEL	CODE	DESCRIPTION	€
FPSL-21-MS	19095047	Two-hole shower unit with single lever and faucet	-



MODEL	CODE	DESCRIPTION	€
FPCL-21	19095048	Gerontological shower unit with faucet	-

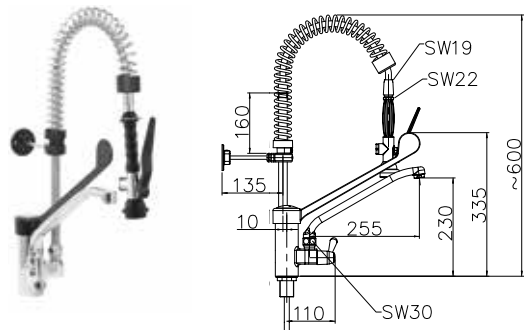
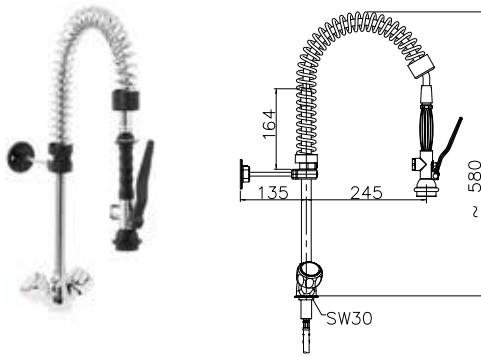
1200 mm height



MODEL	CODE	DESCRIPTION	€
FP5L-22W-MS	19095049	Wall-mounted shower unit with faucet	-

MODEL	CODE	DESCRIPTION	€
FPCL-22W	19095060	Gerontological wall-mounted shower unit	-

600 mm height

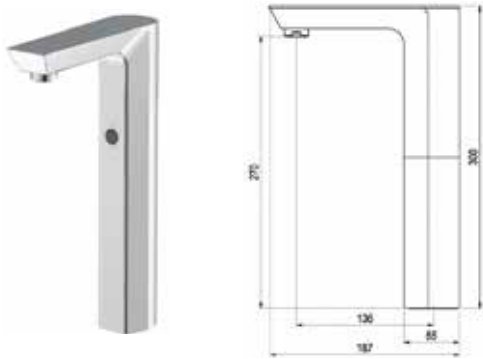


MODEL	CODE	DESCRIPTION	€
FP6TH-21	19095061	Two-hole shower unit height 600 mm	-

MODEL	CODE	DESCRIPTION	€
FP6CL-21	19095062	Two-hole gerontological shower unit height 600 mm	-

Sensor faucets

- Electronic faucet with infrared sensors for opening and closing water flow automatically. Designed for intensive use in professional kitchens.
- Complete hygiene and greater usability, without pedals or buttons.
- Polished chrome plated brass body.
- Automatic closing of solenoid valve in the event of a power failure or dead battery.
- Connecting tubes and all needed accessories for installation included.
- Mixing valve not included.
- Aerators to reduce the flow rate, to be ordered separately (see accessories).



MODEL	CODE	DESCRIPTION	€
FE-121	19095073	Electronic faucet with high nozzle mains-operated	-

MODEL	CODE	DESCRIPTION	€
FE-111	19095074	Electronic faucet mains-operated	-
FE-111 B	19095075	Electronic faucet battery-operated	-

Hose reels

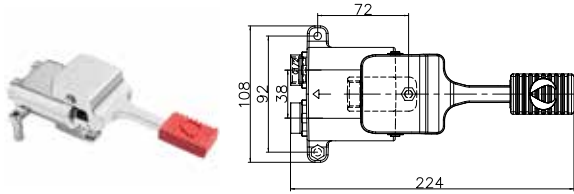
- Hose reel designed for intensive use in food service, meat or fish processing operations, etc.
- Structure and support made entirely of AISI 304 18/10 stainless steel.
- Retractable food grade hose resistant to temperature.
- Hose with locking system allowing to maintain the desired length without effort.
- Wall-mounted configuration.
- Aerators to reduce the flow rate, to be ordered separately (see accessories).

MODEL	CODE	HOSE LENGTH (m)	€
WOR-10	19101240	10	-
WOR-15	19101242	15	-

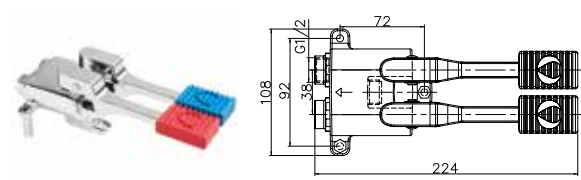


Accessories

Foot-operated faucet

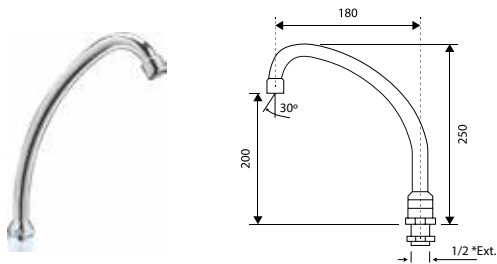


MODEL	CODE	DESCRIPTION	€
FM-1	19095076	Foot-operated two-hole faucet, single	-



MODEL	CODE	DESCRIPTION	€
FM-2	19095077	Foot-operated two-hole faucet, double	-

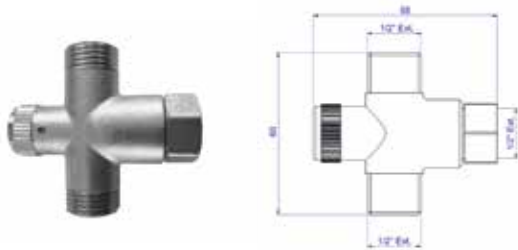
Other accessories



MODEL	CODE	DESCRIPTION	€
FM-111	19095078	High nozzle swing faucet	-



MODEL	CODE	DESCRIPTION	€
FPS-100	19095082	Flexible stainless steel hose with plastic coating resistant to high pressures and temperatures. 1.000 mm length. 1/2" connection.	-



MODEL	CODE	DESCRIPTION	€
MV	19095552	Mixing valve with regulator and back-flow preventer	-

Tap aerators

To be installed on taps to reduce water flow.

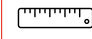
MODEL	CODE	APPLIES TO	FLOW RATE (L/MIN)	€
FFR1	19115225	FPD-11, FPTH-11, FPTH-21, FPSL-21, FP6TH-21, FMCL-112R, WOR-10, WOR-15	3,8	-
FFR2	19115226	FPTH-11-MS, FPTH-21-MS, FPSL-21-MS, FPCL-21, FPSL-22W-MS, FPCL-22W, FP6CL-21	3,8	-
FFR3	19115227	FMSL-123, FMCL-112, FMTH-123, FMCL-123, FSMSL-122, FMSL-112	3,8	-
FFR4	19115228	FE-121, FE-111, FE-111 B	1,32	-



Work tables and cabinets

Work tables	453
— Wall-mounted tables	455
— Central tables	457
— Wall-mounted tables with bowl	459
— Work tables 600 mm high	461
— Worktops	463
— Wall-mounted tables with drawers	465
— Corner tables	465
— Waste collection tables	466
— Recycling tables	466
— Countertop shelves	467
— Accessories	468
— Options	471
Cabinets	472
— Wall-mounted cabinets	472
— High cabinets	473

Wall-mounted tables

 Option customization in length


TWDDR3R-614



See options

- Worktop made from AISI-304 18/10 stainless steel with satin finish and reinforced with profiles.
- Backsplash of 100 x 15 mm, 50 mm front edge with welded corners.
- Square section stainless steel legs 40 x 40 mm.
- Rear legs set back 40 mm for floors with sanitary radius.

- 850 mm height with stainless steel height-adjustable feet (-10 mm / + 50 mm).
- **Supplied disassembled (except models with doors).**
- **Option shipped assembled.**
- **Option door lock.**

500 Range



DIMENSIONS (mm)	WITH REINFORCEMENT FRAME	€	WITH ONE (1) SHELF	€	WITH TWO (2) SHELVES	€	WITH DOORS	DOOR TYPE	€
	TWLR-5		TWS1-5		TWS2-5		TWD-5		
600x500x850	19093246	-	19093257	-	19093268	-	-	-	-
800x500x850	19093247	-	19093258	-	19093269	-	19093279	Swing	-
1.000x500x850	19093248	-	19093259	-	19093270	-	19093280	Sliding	-
1.200x500x850	19093249	-	19093260	-	19093271	-	19093281	Sliding	-
1.400x500x850	19093250	-	19093261	-	19093272	-	19093282	Sliding	-
1.500x500x850	19093251	-	19093262	-	19093273	-	-	-	-
1.600x500x850	19093252	-	19093263	-	19093274	-	19093283	Sliding	-
1.800x500x850	19093253	-	19093264	-	19093275	-	19093284	Sliding	-
2.000x500x850	19093254	-	19093265	-	19093276	-	19093285	Sliding	-
2.200x500x850	19093255	-	19093266	-	19093277	-	-	-	-
2.400x500x850	19093256	-	19093267	-	19093278	-	-	-	-

600 Range

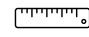


DIMENSIONS (mm)	WITH REINFORCEMENT FRAME		WITH ONE (1) SHELF		WITH TWO (2) SHELVES		WITH DOORS			SLIDING DOORS AND DRAWERS		
	TWLR-6	€	TWS1-6	€	TWS2-6	€	TWD-6	DOOR TYPE	€	€		
										TO THE RIGHT	TO THE LEFT	
										TWDDR3R-6	TWDDR3L-6	€
600x600x850	19093364	-	19093383	-	19093402	-	-	-	-	-	-	-
700x600x850	19093365	-	19093384	-	19093403	-	-	-	-	-	-	-
800x600x850	19093366	-	19093385	-	19093404	-	19093421	Swing	-	-	-	-
900x600x850	19093367	-	19093386	-	19093405	-	-	-	-	-	-	-
1.000x600x850	19093368	-	19093387	-	19093406	-	19093422	Sliding	-	-	-	-
1.100x600x850	19093369	-	19093388	-	19093407	-	-	-	-	-	-	-
1.200x600x850	19093370	-	19093389	-	19093408	-	19093423	Sliding	-	-	-	-
1.300x600x850	19093371	-	19093390	-	19093409	-	-	-	-	-	-	-
1.400x600x850	19093372	-	19093391	-	19093410	-	19093424	Sliding	-	19093590	19093596	-
1.500x600x850	19093373	-	19093392	-	19093411	-	-	-	-	-	-	-
1.600x600x850	19093374	-	19093393	-	19093412	-	19093425	Sliding	-	19093591	19093597	-
1.700x600x850	19093375	-	19093394	-	19093413	-	-	-	-	-	-	-
1.800x600x850	19093376	-	19093395	-	19093414	-	19093426	Sliding	-	19093592	19093598	-
1.900x600x850	19093377	-	19093396	-	19093415	-	-	-	-	-	-	-
2.000x600x850	19093378	-	19093397	-	19093416	-	19093427	Sliding	-	19093593	19093599	-
2.200x600x850	19093379	-	19093398	-	19093417	-	19093428	Sliding	-	19093594	19093600	-
2.400x600x850	19093380	-	19093399	-	19093418	-	19093429	Sliding	-	19093595	19093601	-
2.600x600x850	19093381	-	19093400	-	19093419	-	19093430	Sliding	-	-	-	-
2.800x600x850	19093382	-	19093401	-	19093420	-	19093431	Sliding	-	-	-	-

700 Range

DIMENSIONS (mm)	WITH REINFORCEMENT FRAME		WITH ONE (1) SHELF		WITH TWO (2) SHELVES		WITH DOORS			SLIDING DOORS AND DRAWERS		
	TWLR-7	€	TWS1-7	€	TWS2-7	€	TWD-7	DOOR TYPE	€	€		
										TO THE RIGHT	TO THE LEFT	
										TWDDR3R-7	TWDDR3L-7	€
600x700x850	19093510	-	19093529	-	19093548	-	-	-	-	-	-	-
700x700x850	19093511	-	19093530	-	19093549	-	-	-	-	-	-	-
800x700x850	19093512	-	19093531	-	19093550	-	19093567	Swing	-	-	-	-
900x700x850	19093513	-	19093532	-	19093551	-	-	-	-	-	-	-
1.000x700x850	19093514	-	19093533	-	19093552	-	19093568	Sliding	-	-	-	-
1.100x700x850	19093515	-	19093534	-	19093553	-	-	-	-	-	-	-
1.200x700x850	19093516	-	19093535	-	19093554	-	19093569	Sliding	-	-	-	-
1.300x700x850	19093517	-	19093536	-	19093555	-	-	-	-	-	-	-
1.400x700x850	19093518	-	19093537	-	19093556	-	19093570	Sliding	-	19093614	19093620	-
1.500x700x850	19093519	-	19093538	-	19093557	-	-	-	-	-	-	-
1.600x700x850	19093520	-	19093539	-	19093558	-	19093571	Sliding	-	19093615	19093621	-
1.700x700x850	19093521	-	19093540	-	19093559	-	-	-	-	-	-	-
1.800x700x850	19093522	-	19093541	-	19093560	-	19093572	Sliding	-	19093616	19093622	-
1.900x700x850	19093523	-	19093542	-	19093561	-	-	-	-	-	-	-
2.000x700x850	19093524	-	19093543	-	19093562	-	19093573	Sliding	-	19093617	19093623	-
2.200x700x850	19093525	-	19093544	-	19093563	-	19093574	Sliding	-	19093618	19093624	-
2.400x700x850	19093526	-	19093545	-	19093564	-	19093575	Sliding	-	19093619	19093625	-
2.600x700x850	19093527	-	19093546	-	19093565	-	19093576	Sliding	-	-	-	-
2.800x700x850	19093528	-	19093547	-	19093566	-	19093577	Sliding	-	-	-	-

Central tables

 Option customization in length


TCDDR3R-614



See options

- Worktop made from AISI-304 18/10 stainless steel with satin finish and reinforced with profiles.
- 50 mm front edge with welded corners.
- Square section stainless steel legs 40 x 40 mm.
- 850 mm height with stainless steel height-adjustable feet (-10 mm / + 50 mm).

- **Supplied disassembled (except models with doors).**
- **Option shipped assembled.**
- **Option door lock.**

500 Range



DIMENSIONS (mm)	WITH REINFORCEMENT FRAME	€	WITH ONE (1) SHELF	€	WITH TWO (2) SHELVES	€
	TCLR-5		TCS1-5		TCS2-5	
600x500x850	19093213	-	19093224	-	19093235	-
800x500x850	19093214	-	19093225	-	19093236	-
1.000x500x850	19093215	-	19093226	-	19093237	-
1.200x500x850	19093216	-	19093227	-	19093238	-
1.400x500x850	19093217	-	19093228	-	19093239	-
1.500x500x850	19093218	-	19093229	-	19093240	-
1.600x500x850	19093219	-	19093230	-	19093241	-
1.800x500x850	19093220	-	19093231	-	19093242	-
2.000x500x850	19093221	-	19093232	-	19093243	-
2.200x500x850	19093222	-	19093233	-	19093244	-
2.400x500x850	19093223	-	19093234	-	19093245	-

600 Range




DIMENSIONS (mm)	WITH REINFORCEMENT FRAME	€	WITH ONE (1) SHELF	€	WITH TWO (2) SHELVES	€	WITH DOORS	€	PASS-THROUGH DOORS	€	DOOR TYPE	SLIDING DOORS AND DRAWERS		€
	TCLR-6		TCS1-6		TCS2-6		TCD-6		TCDP-6			TO THE RIGHT	TO THE LEFT	
												TDDR3R-6	TDDR3L-6	
600x600x850	19093286	-	19093305	-	19093324	-	-	-	-	-	-	-	-	-
700x600x850	19093287	-	19093306	-	19093325	-	-	-	-	-	-	-	-	-
800x600x850	19093288	-	19093307	-	19093326	-	19093343	-	-	-	Swing	-	-	-
900x600x850	19093289	-	19093308	-	19093327	-	-	-	-	-	-	-	-	-
1.000x600x850	19093290	-	19093309	-	19093328	-	19093344	-	19093354	-	Sliding	-	-	-
1.100x600x850	19093291	-	19093310	-	19093329	-	-	-	-	-	-	-	-	-
1.200x600x850	19093292	-	19093311	-	19093330	-	19093345	-	19093355	-	Sliding	-	-	-
1.300x600x850	19093293	-	19093312	-	19093331	-	-	-	-	-	-	-	-	-
1.400x600x850	19093294	-	19093313	-	19093332	-	19093346	-	19093356	-	Sliding	19093578	19093584	-
1.500x600x850	19093295	-	19093314	-	19093333	-	-	-	-	-	-	-	-	-
1.600x600x850	19093296	-	19093315	-	19093334	-	19093347	-	19093357	-	Sliding	19093579	19093585	-
1.700x600x850	19093297	-	19093316	-	19093335	-	-	-	-	-	-	-	-	-
1.800x600x850	19093298	-	19093317	-	19093336	-	19093348	-	19093358	-	Sliding	19093580	19093586	-
1.900x600x850	19093299	-	19093318	-	19093337	-	-	-	-	-	-	-	-	-
2.000x600x850	19093300	-	19093319	-	19093338	-	19093349	-	19093359	-	Sliding	19093581	19093587	-
2.200x600x850	19093301	-	19093320	-	19093339	-	19093350	-	19093360	-	Sliding	19093582	19093588	-
2.400x600x850	19093302	-	19093321	-	19093340	-	19093351	-	19093361	-	Sliding	19093583	19093589	-
2.600x600x850	19093303	-	19093322	-	19093341	-	19093352	-	19093362	-	Sliding	-	-	-
2.800x600x850	19093304	-	19093323	-	19093342	-	19093353	-	19093363	-	Sliding	-	-	-

700 Range

DIMENSIONS (mm)	WITH REINFORCEMENT FRAME	€	WITH ONE (1) SHELF	€	WITH TWO (2) SHELVES	€	WITH DOORS	€	PASS-THROUGH DOORS	€	DOOR TYPE	SLIDING DOORS AND DRAWERS		€
	TCLR-7		TCS1-7		TCS2-7		TCD-7		TCDP-7			TO THE RIGHT	TO THE LEFT	
												TDDR3R-7	TDDR3L-7	
600x700x850	19093432	-	19093451	-	19093470	-	-	-	-	-	-	-	-	-
700x700x850	19093433	-	19093452	-	19093471	-	-	-	-	-	-	-	-	-
800x700x850	19093434	-	19093453	-	19093472	-	19093489	-	-	-	Swing	-	-	-
900x700x850	19093435	-	19093454	-	19093473	-	-	-	-	-	-	-	-	-
1.000x700x850	19093436	-	19093455	-	19093474	-	19093490	-	19093500	-	Sliding	-	-	-
1.100x700x850	19093437	-	19093456	-	19093475	-	-	-	-	-	-	-	-	-
1.200x700x850	19093438	-	19093457	-	19093476	-	19093491	-	19093501	-	Sliding	-	-	-
1.300x700x850	19093439	-	19093458	-	19093477	-	-	-	-	-	-	-	-	-
1.400x700x850	19093440	-	19093459	-	19093478	-	19093492	-	19093502	-	Sliding	19093602	19093608	-
1.500x700x850	19093441	-	19093460	-	19093479	-	-	-	-	-	-	-	-	-
1.600x700x850	19093442	-	19093461	-	19093480	-	19093493	-	19093503	-	Sliding	19093603	19093609	-
1.700x700x850	19093443	-	19093462	-	19093481	-	-	-	-	-	-	-	-	-
1.800x700x850	19093444	-	19093463	-	19093482	-	19093494	-	19093504	-	Sliding	19093604	19093610	-
1.900x700x850	19093445	-	19093464	-	19093483	-	-	-	-	-	-	-	-	-
2.000x700x850	19093446	-	19093465	-	19093484	-	19093495	-	19093505	-	Sliding	19093605	19093611	-
2.200x700x850	19093447	-	19093466	-	19093485	-	19093496	-	19093506	-	Sliding	19093606	19093612	-
2.400x700x850	19093448	-	19093467	-	19093486	-	19093497	-	19093507	-	Sliding	19093607	19093613	-
2.600x700x850	19093449	-	19093468	-	19093487	-	19093498	-	19093508	-	Sliding	-	-	-
2.800x700x850	19093450	-	19093469	-	19093488	-	19093499	-	19093509	-	Sliding	-	-	-

Wall-mounted tables with bowl

 Option customization in length



TWDDR3R-B1L-614



See options

- Worktop made from AISI-304 18/10 stainless steel with satin finish and reinforced with profiles.
- Backsplash of 100 x 15 mm, 50 mm front edge with welded corners.
- Welded bowl of 500 x 400 x 250 mm.
- Square section stainless steel legs 40 x 40 mm.
- Rear legs set back 40 mm for floors with sanitary radius.
- 850 mm height with stainless steel height-adjustable feet (-10 mm / + 50 mm)..
- **Supplied disassembled (except models with doors)**
- **Option shipped assembled.**
- **Option door lock.**

600 Range



WITH REINFORCEMENT FRAME

WITH ONE (1) SHELF

DIMENSIONS (mm)	BOWL TO THE RIGHT	€	BOWL TO THE LEFT	€	BOWL IN CENTER	€	BOWL TO THE RIGHT	€	BOWL TO THE LEFT	€	BOWL IN CENTER	€
	TWLR-B1R-6		TWLR-B1L-6		TWLR-B1C-6		TWS1-B1R-6		TWS1-B1L-6		TWS1-B1C-6	
1.000x600x850	19093626	-	19093637	-	-	-	19093678	-	19093689	-	-	-
1.200x600x850	19093627	-	19093638	-	-	-	19093679	-	19093690	-	-	-
1.400x600x850	19093628	-	19093639	-	-	-	19093680	-	19093691	-	-	-
1.500x600x850	19093629	-	19093640	-	19093648	-	19093681	-	19093692	-	19093700	-
1.600x600x850	19093630	-	19093641	-	19093649	-	19093682	-	19093693	-	19093701	-
1.800x600x850	19093631	-	19093642	-	19093650	-	19093683	-	19093694	-	19093702	-
2.000x600x850	19093632	-	19093643	-	19093651	-	19093684	-	19093695	-	19093703	-
2.200x600x850	19093633	-	19093644	-	-	-	19093685	-	19093696	-	-	-
2.400x600x850	19093634	-	19093645	-	-	-	19093686	-	19093697	-	-	-
2.600x600x850	19093635	-	19093646	-	-	-	19093687	-	19093698	-	-	-
2.800x600x850	19093636	-	19093647	-	-	-	19093688	-	19093699	-	-	-



WITH SLIDING DOORS

WITH SLIDING DOORS AND DRAWERS

DIMENSIONS (mm)	BOWL TO THE RIGHT	€	BOWL TO THE LEFT	€	BOWL IN CENTER	€	BOWL TO THE RIGHT	€	BOWL TO THE LEFT	€
	TWD-B1R-6		TWD-B1L-6		TWD-B1C-6		TWDDR3L-B1R-6		TWDDR3R-B1L-6	
1.000x600x850	19093730	-	19093740	-	-	-	-	-	-	-
1.200x600x850	19093731	-	19093741	-	-	-	-	-	-	-
1.400x600x850	19093732	-	19093742	-	-	-	19093776	-	19093782	-
1.600x600x850	19093733	-	19093743	-	19093750	-	19093777	-	19093783	-
1.800x600x850	19093734	-	19093744	-	19093751	-	19093778	-	19093784	-
2.000x600x850	19093735	-	19093745	-	19093752	-	19093779	-	19093785	-
2.200x600x850	19093736	-	19093746	-	-	-	19093780	-	19093786	-
2.400x600x850	19093737	-	19093747	-	-	-	19093781	-	19093787	-
2.600x600x850	19093738	-	19093748	-	-	-	-	-	-	-
2.800x600x850	19093739	-	19093749	-	-	-	-	-	-	-



700 Range




DIMENSIONS (mm)	WITH REINFORCEMENT FRAME						WITH ONE (1) SHELF			
	BOWL TO THE RIGHT		BOWL TO THE LEFT		BOWL IN CENTER		BOWL TO THE RIGHT		BOWL TO THE LEFT	
	TWLR-B1R-7	€	TWLR-B1L-7	€	TWLR-B1C-7	€	TWS1-B1R-7	€	TWS1-B1L-7	€
1.000x700x850	19093652	-	19093663	-	-	-	19093704	-	19093715	-
1.200x700x850	19093653	-	19093664	-	-	-	19093705	-	19093716	-
1.400x700x850	19093654	-	19093665	-	-	-	19093706	-	19093717	-
1.500x700x850	19093655	-	19093666	-	19093674	-	19093707	-	19093718	-
1.600x700x850	19093656	-	19093667	-	19093675	-	19093708	-	19093719	-
1.800x700x850	19093657	-	19093668	-	19093676	-	19093709	-	19093720	-
2.000x700x850	19093658	-	19093669	-	19093677	-	19093710	-	19093721	-
2.200x700x850	19093659	-	19093670	-	-	-	19093711	-	19093722	-
2.400x700x850	19093660	-	19093671	-	-	-	19093712	-	19093723	-
2.600x700x850	19093661	-	19093672	-	-	-	19093713	-	19093724	-
2.800x700x850	19093662	-	19093673	-	-	-	19093714	-	19093725	-



DIMENSIONS (mm)	WITH SLIDING DOORS						WITH SLIDING DOORS AND DRAWERS			
	BOWL TO THE RIGHT		BOWL TO THE LEFT		BOWL IN CENTER		BOWL TO THE RIGHT		BOWL TO THE LEFT	
	TWD-B1R-7	€	TWD-B1L-7	€	TWD-B1C-7	€	TWDDR3L-B1R-7	€	TWDDR3R-B1L-7	€
1.000x700x850	19093753	-	19093763	-	-	-	-	-	-	-
1.200x700x850	19093754	-	19093764	-	-	-	-	-	-	-
1.400x700x850	19093755	-	19093765	-	-	-	19093788	-	19093794	-
1.600x700x850	19093756	-	19093766	-	19093773	-	19093789	-	19093795	-
1.800x700x850	19093757	-	19093767	-	19093774	-	19093790	-	19093796	-
2.000x700x850	19093758	-	19093768	-	19093775	-	19093791	-	19093797	-
2.200x700x850	19093759	-	19093769	-	-	-	19093792	-	19093798	-
2.400x700x850	19093760	-	19093770	-	-	-	19093793	-	19093799	-
2.600x700x850	19093761	-	19093771	-	-	-	-	-	-	-
2.800x700x850	19093762	-	19093772	-	-	-	-	-	-	-

Work tables 600 mm high

 Option customization in length


T6CS1-614



See options

- Designed to support cooking appliances and place the working height at 850-900 mm.
- Worktop made from AISI-304 18/10 stainless steel with satin finish and reinforced with profiles.
- Backsplash of 100 x 15 mm, 50 mm front edge with welded corners.
- Square section stainless steel legs 40 x 40 mm.
- Rear legs set back 40 mm for floors with sanitary radius.
- 600 mm height with stainless steel height-adjustable feet (-10 mm / + 50 mm).
- **Supplied disassembled.**
- **Option shipped assembled.**

600 Range



WALL-MOUNTED TABLE

CENTRAL TABLE

DIMENSIONS (mm)	WITH REINFORCEMENT FRAME	€	WITH ONE (1) SHELF	€	WITH REINFORCEMENT FRAME	€	WITH ONE (1) SHELF	€
	T6WLR-6		T6WS1-6		T6CLR-6		T6CS1-6	
600x600x600	19093996	-	19094015	-	19093958	-	19093977	-
700x600x600	19093997	-	19094016	-	19093959	-	19093978	-
800x600x600	19093998	-	19094017	-	19093960	-	19093979	-
900x600x600	19093999	-	19094018	-	19093961	-	19093980	-
1.000x600x600	19094000	-	19094019	-	19093962	-	19093981	-
1.100x600x600	19094001	-	19094020	-	19093963	-	19093982	-
1.200x600x600	19094002	-	19094021	-	19093964	-	19093983	-
1.300x600x600	19094003	-	19094022	-	19093965	-	19093984	-
1.400x600x600	19094004	-	19094023	-	19093966	-	19093985	-
1.500x600x600	19094005	-	19094024	-	19093967	-	19093986	-
1.600x600x600	19094006	-	19094025	-	19093968	-	19093987	-
1.700x600x600	19094007	-	19094026	-	19093969	-	19093988	-
1.800x600x600	19094008	-	19094027	-	19093970	-	19093989	-
1.900x600x600	19094009	-	19094028	-	19093971	-	19093990	-
2.000x600x600	19094010	-	19094029	-	19093972	-	19093991	-
2.200x600x600	19094011	-	19094030	-	19093973	-	19093992	-
2.400x600x600	19094012	-	19094031	-	19093974	-	19093993	-
2.600x600x600	19094013	-	19094032	-	19093975	-	19093994	-
2.800x600x600	19094014	-	19094033	-	19093976	-	19093995	-



700 Range



DIMENSIONS (mm)	WALL-MOUNTED TABLE				CENTRAL TABLE			
	WITH REINFORCEMENT FRAME	€	WITH ONE (1) SHELF	€	WITH REINFORCEMENT FRAME	€	WITH ONE (1) SHELF	€
	T6WLR-7		T6WS1-7		T6CLR-7		T6CS1-7	
600x700x600	19094072	-	19094091	-	19094034	-	19094053	-
700x700x600	19094073	-	19094092	-	19094035	-	19094054	-
800x700x600	19094074	-	19094093	-	19094036	-	19094055	-
900x700x600	19094075	-	19094094	-	19094037	-	19094056	-
1.000x700x600	19094076	-	19094095	-	19094038	-	19094057	-
1.100x700x600	19094077	-	19094096	-	19094039	-	19094058	-
1.200x700x600	19094078	-	19094097	-	19094040	-	19094059	-
1.300x700x600	19094079	-	19094098	-	19094041	-	19094060	-
1.400x700x600	19094080	-	19094099	-	19094042	-	19094061	-
1.500x700x600	19094081	-	19094100	-	19094043	-	19094062	-
1.600x700x600	19094082	-	19094101	-	19094044	-	19094063	-
1.700x700x600	19094083	-	19094102	-	19094045	-	19094064	-
1.800x700x600	19094084	-	19094103	-	19094046	-	19094065	-
1.900x700x600	19094085	-	19094104	-	19094047	-	19094066	-
2.000x700x600	19094086	-	19094105	-	19094048	-	19094067	-
2.200x700x600	19094087	-	19094106	-	19094049	-	19094068	-
2.400x700x600	19094088	-	19094107	-	19094050	-	19094069	-
2.600x700x600	19094089	-	19094108	-	19094051	-	19094070	-
2.800x700x600	19094090	-	19094109	-	19094052	-	19094071	-

Worktops

- Worktop made from AISI-304 18/10 stainless steel with satin finish and reinforced with profiles.

- Backsplash of 100 x 15 mm, 50 mm front edge with welded corners.

- Designed to be mounted on wall brackets.

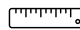


TTC-714



See options

Flat worktops

 Option customization in length

600 Range



DIMENSIONS (mm)	WALL-MOUNTED	€	CENTRAL	€
	TTW-6		TTC-6	
600x600	19093823	-	19093800	-
700x600	19093824	-	19093801	-
800x600	19093825	-	19093802	-
900x600	19093826	-	19093803	-
1.000x600	19093827	-	19093804	-
1.100x600	19093828	-	19093805	-
1.200x600	19093829	-	19093806	-
1.300x600	19093830	-	19093807	-
1.400x600	19093831	-	19093808	-
1.500x600	19093832	-	19093809	-
1.600x600	19093833	-	19093810	-
1.700x600	19093834	-	19093811	-
1.800x600	19093835	-	19093812	-
1.900x600	19093836	-	19093813	-
2.000x600	19093837	-	19093814	-
2.100x600	19093838	-	19093815	-
2.200x600	19093839	-	19093816	-
2.300x600	19093840	-	19093817	-
2.400x600	19093841	-	19093818	-
2.500x600	19093842	-	19093819	-
2.600x600	19093843	-	19093820	-
2.700x600	19093844	-	19093821	-
2.800x600	19093845	-	19093822	-

700 Range



DIMENSIONS (mm)	WALL-MOUNTED	€	CENTRAL	€
	TTW-7		TTC-7	
600x700	19093869	-	19093846	-
700x700	19093870	-	19093847	-
800x700	19093871	-	19093848	-
900x700	19093872	-	19093849	-
1.000x700	19093873	-	19093850	-
1.100x700	19093874	-	19093851	-
1.200x700	19093875	-	19093852	-
1.300x700	19093876	-	19093853	-
1.400x700	19093877	-	19093854	-
1.500x700	19093878	-	19093855	-
1.600x700	19093879	-	19093856	-
1.700x700	19093880	-	19093857	-
1.800x700	19093881	-	19093858	-
1.900x700	19093882	-	19093859	-
2.000x700	19093883	-	19093860	-
2.100x700	19093884	-	19093861	-
2.200x700	19093885	-	19093862	-
2.300x700	19093886	-	19093863	-
2.400x700	19093887	-	19093864	-
2.500x700	19093888	-	19093865	-
2.600x700	19093889	-	19093866	-
2.700x700	19093890	-	19093867	-
2.800x700	19093891	-	19093868	-



TTW-B1C-614



See options

Worktops with bowl

- Welded bowl of 500 x 400 x 250 mm.



Option customization in length

600 Range



DIMENSIONS (mm)	BOWL TO THE RIGHT	€	BOWL TO THE LEFT	€	BOWL IN CENTER	€
	TTW-B1R-6		TTW-B1L-6		TTW-B1C-6	
1.000x600	19093892	-	19093903	-	19093914	-
1.200x600	19093893	-	19093904	-	19093915	-
1.400x600	19093894	-	19093905	-	19093916	-
1.500x600	19093895	-	19093906	-	19093917	-
1.600x600	19093896	-	19093907	-	19093918	-
1.800x600	19093897	-	19093908	-	19093919	-
2.000x600	19093898	-	19093909	-	19093920	-
2.200x600	19093899	-	19093910	-	19093921	-
2.400x600	19093900	-	19093911	-	19093922	-
2.600x600	19093901	-	19093912	-	19093923	-
2.800x600	19093902	-	19093913	-	19093924	-

700 Range

DIMENSIONS (mm)	BOWL TO THE RIGHT	€	BOWL TO THE LEFT	€	BOWL IN CENTER	€
	TTW-B1R-7		TTW-B1L-7		TTW-B1C-7	
1.000x700	19093925	-	19093936	-	19093947	-
1.200x700	19093926	-	19093937	-	19093948	-
1.400x700	19093927	-	19093938	-	19093949	-
1.500x700	19093928	-	19093939	-	19093950	-
1.600x700	19093929	-	19093940	-	19093951	-
1.800x700	19093930	-	19093941	-	19093952	-
2.000x700	19093931	-	19093942	-	19093953	-
2.200x700	19093932	-	19093943	-	19093954	-
2.400x700	19093933	-	19093944	-	19093955	-
2.600x700	19093934	-	19093945	-	19093956	-
2.800x700	19093935	-	19093946	-	19093957	-



Wall brackets

- Made from stainless steel.
- Compatible with worktops and 600/700 range sinks, except 600 x 600 mm and pot wash sinks.

DESCRIPTION	MODEL	CODE	€/UNIT
Wall bracket	C-6	19092785	-
Bracket with leg	CP-6	19092786	-

Wall-mounted tables with drawers



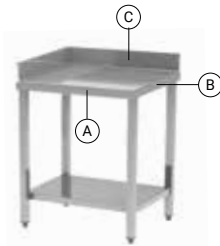
See options

- Closed structure with module with three (3) drawers.
- Lower base reinforced with profile to guarantee greater robustness.
- Removable drawers with telescopic sliding guides.

- Effective dimensions of the drawer 304 x 435 x 105 mm.
- 850 mm height with stainless steel height-adjustable feet (-10 mm / + 50 mm).
- **Supplied assembled.**

RANGE	MODEL	CODE	DIMENSIONS (mm)	DRAWERS	€
600	TWDR3-65	19094112	500x600x850	3	-
700	TWDR3-75	19094113	500x700x850	3	-

Corner tables



See options

With intermediate shelves

- Shelf made from stainless steel with satin finish and reinforcements in profile.
- Shelf assembly done by fixing four (4) screws.
- 850 mm height with stainless steel height-adjustable feet (-10 mm / + 50 mm).

- Model with tank (T90WS1-B1): welded tank 400 x 400 x 250
- **Supplied disassembled.**
- **Option shipped assembled.**
- Optional Ø 33 mm hole for tap, made on side C only.

DIMENSIONS (mm)		MODEL	WITH ONE (1) SHELF	€	MODEL	WITH CUBA AND A (1) SHELF	€	MODEL	WITH TWO (2) SHELVES	€
A	B									
600	600	T90WS1-66	19094114	-	T90WS1-B1-66	19115414	-	T90WS2-66	19094118	-
700	700	T90WS1-77	19094115	-	T90WS1-B1-77	19115415	-	T90WS2-77	19094119	-
600	700	T90WS1-67	19094116	-	T90WS1-B1-67	19115416	-	T90WS2-67	19094120	-
700	600	T90WS1-76	19094117	-	T90WS1-B1-76	19115417	-	T90WS2-76	19094121	-



See options

With door

- Closed structure with doors.
- Lower base reinforced with profile to guarantee greater robustness.
- 850 mm height with stainless steel height-

- adjustable feet (-10 mm / + 50 mm).
- **Supplied assembled.**
- **Option door lock.**

RANGE	MODEL	CODE	DIMENSIONS (mm)	€
600	T90WD-6	19094122	1.000x1.000x600x850	-
700	T90WD-7	19094123	1.000x1.000x700x850	-

Waste collection tables



See options

- Worktop made from AISI-304 18/10 stainless steel with satin finish and reinforced with profiles.
- Sorting hole with rubber ring to throw waste. A waste bin (not included) with maximum diameter of 460 mm could be placed under the counter.
- Backsplash of 100 x 15 mm, 50 mm front edge with welded corners.
- Square section stainless steel legs 40 x 40 mm.
- Rear legs set back 40 mm for floors with sanitary radius.
- 850 mm height with stainless steel height-adjustable feet (-10 mm / + 50 mm).
- **Supplied assembled.**

RANGE	MODEL	CODE	DIMENSIONS (mm)	€
600	TWD-R-67	19094110	700x600x850	-
700	TWD-R-77	19094111	700x700x850	-

Recycling tables

- Designed for the classification and collection of waste.
- Worktop made from AISI-304 18/10 stainless steel with satin finish and reinforced with profiles.
- Square section stainless steel legs
- 40 x 40 mm.
- Ø195 mm holes for placing rubber rings.
- Rubber ring (not included) to throw waste. A waste bin (not included) with maximum diameter of 460 mm could be placed under the counter.
- 850 mm height with stainless steel height adjustable feet (-10 mm / + 50 mm).
- **Supplied disassembled.**
- **Option shipped assembled.**




See options




See options

Wall-mounted

MODEL	CODE	DIMENSIONS (mm)	HOLES	€
ADULTS				
TWLR-R-612	19094126	1.200x600x850	2	-
TWLR-R-617	19094127	1.700x600x850	3	-
KIDS  <i>kids</i>				
TWLR-R-K-612	19094260	1.200x600x700	2	-
TWLR-R-K-617	19094261	1.700x600x700	3	-

Central

MODEL	CODE	DIMENSIONS (mm)	HOLES	€
ADULTS				
TCLR-R-612	19094124	1.200x600x850	2	-
TCLR-R-617	19094125	1.700x600x850	3	-
KIDS  <i>kids</i>				
TCLR-R-K-612	19094258	1.200x600x700	2	-
TCLR-R-K-617	19094259	1.700x600x700	3	-




Rubber ring

- Removable internal Ø162 mm rubber ring that facilitates the identification of the container.
- Easy to clean and disinfect.

MODEL	CODE	COLOR	€
R-Y232	19092787	Yellow	-
R-B232	19092788	Blue	-
R-R232	19092789	Red	-
R-G232	19092790	Green	-

Countertop shelves

 Option customization in length


F2H-313



See options

- Made from stainless steel with satin finish.
- Easy installation by making small holes on the worktop where the joining brackets are placed.
- To be attached to all types of work tables.
- **Supplied disassembled.**

Single

TABLE SIZE (mm)	DIMENSIONS (mm)	NEUTRAL	€	Hz	VOLTAGE	HALOGEN LIGHT AND HEAT	POWER (W)	€	CERAMIC HEAT	POWER (W)	€
		F1N-3				F1H-3			F1C-3		
1.000	700x350x400	19094128	-	50/60	230V 1N	-	-	-	-	-	-
1.200	900x350x400	19094129	-	50/60	230V 1N	19094138	600	-	19094147	500	-
1.400	1.100x350x400	19094130	-	50/60	230V 1N	19094139	600	-	19094148	500	-
1.600	1.300x350x400	19094131	-	50/60	230V 1N	19094140	900	-	19094149	750	-
1.800	1.500x350x400	19094132	-	50/60	230V 1N	19094141	900	-	19094150	750	-
2.000	1.700x350x400	19094133	-	50/60	230V 1N	19094142	1.200	-	19094151	1.000	-
2.200	1.900x350x400	19094134	-	50/60	230V 1N	19094143	1.200	-	19094152	1.000	-
2.400	2.100x350x400	19094135	-	50/60	230V 1N	19094144	1.500	-	19094153	1.250	-
2.600	2.300x350x400	19094136	-	50/60	230V 1N	19094145	1.500	-	19094154	1.250	-
2.800	2.500x350x400	19094137	-	50/60	230V 1N	19094146	1.800	-	19094155	1.500	-

Double

TABLE SIZE (mm)	DIMENSIONS (mm)	NEUTRAL	€	Hz	VOLTAGE	HALOGEN LIGHT AND HEAT	POWER (W)	€	CERAMIC HEAT	POWER (W)	€
		F2N-3				F2H-3			F2C-3		
1.000	700x350x700	19094156	-	-	-	-	-	-	-	-	-
1.200	900x350x700	19094157	-	50/60	230V 1N	19094166	1.200	-	19094175	1.000	-
1.400	1.100x350x700	19094158	-	50/60	230V 1N	19094167	1.200	-	19094176	1.000	-
1.600	1.300x350x700	19094159	-	50/60	230V 1N	19094168	1.800	-	19094177	1.500	-
1.800	1.500x350x700	19094160	-	50/60	230V 1N	19094169	1.800	-	19094178	1.500	-
2.000	1.700x350x700	19094161	-	50/60	230V 1N	19094170	2.400	-	19094179	2.000	-
2.200	1.900x350x700	19094162	-	50/60	230V 1N	19094171	2.400	-	19094180	2.000	-
2.400	2.100x350x700	19094163	-	50/60	230V 1N	19094172	3.000	-	19094181	2.500	-
2.600	2.300x350x700	19094164	-	50/60	230V 1N	19094173	3.000	-	19094182	2.500	-
2.800	2.500x350x700	19094165	-	50/60	230V 1N	19094174	3.600	-	19094183	3.000	-

Lamp strip



DIMENSIONS (mm)	Hz	VOLTAGE	MODEL	HALOGEN LIGHT AND HEAT	POWER (W)	€	MODEL	CERAMIC HEAT	POWER (W)	€
800x150x60	50/60	230V 1N	H-8	19092791	600	-	C-8	19092795	500	-
1.200x150x60	50/60	230V 1N	H-12	19092792	900	-	C-12	19092796	750	-
1.600x150x60	50/60	230V 1N	H-16	19092793	1.200	-	C-16	19092797	1.000	-
2.000x150x60	50/60	230V 1N	H-20	19092794	1.500	-	C-20	19092798	1.250	-

Accessories



Sliding guide drawer kit

- Made from stainless steel.
- Removable drawer equipped with telescopic guides with brake.
- Ease of assembly without the need for welding.
- To be assembled to tables, except in the 500 range.

MODEL	CODE	DIMENSIONS (mm)	€
DR1	19092799	460x450x150	-



Drawer module

- Made from stainless steel.
- Removable drawers equipped with telescopic guides with brake.
- Ease of assembly without the need for welding.
- To be assembled to tables with shelf, except in the 500 range.

RANGE	MODEL	CODE	DIMENSIONS (mm)	DRAWERS	€
600	DR2-64	19092800	465x510x600	2	-
	DR3-64	19092801	465x510x600	3	-
700	DR2-74	19092802	465x610x600	2	-
	DR3-74	19092803	465x610x600	3	-



Large capacity drawer module

- Specially designed to be used as a bread dispenser, to place waste bags or other applications.
- Made from stainless steel.
- Removable drawer equipped with telescopic guides with brake.
- Ease of assembly without the need for welding.
- To be assembled to tables with shelf, except in the 500 range.

RANGE	MODEL	CODE	DIMENSIONS (mm)	€
600	DR1-64	19092804	465x510x600	-
700	DR1-74	19092805	465x610x600	-



Waste bin hopper module

- Specially designed to be used as a garbage hopper.
- Made from stainless steel.
- Opening with folding lid.
- Ease of assembly without the need for welding.
- To be assembled to tables with shelf, except in the 500 range.

CAPACITY	MODEL	CODE	DIMENSIONS (mm)	€
600	WH-6	19106211	400x510x600	-
700	WH-7	19106212	400x610x600	-



Rack module

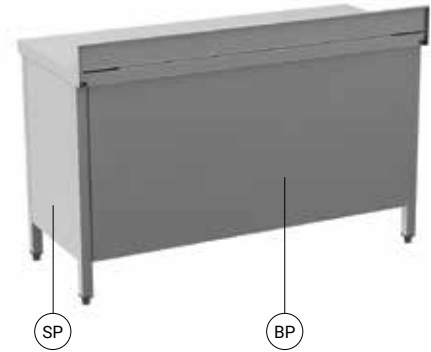
- Made from stainless steel.
- Ease of assembly without the need for welding.
- Eight (8) pairs of guides with a separation of 70 mm.
- To be assembled to tables with shelf, except in the 500 range.

CAPACITY	MODEL	CODE	DIMENSIONS (mm)	€
1xGN 1/1	GS-35	19092806	380x560x590	-
600x400	GS-46	19092807	660x436x596	-

Side panel

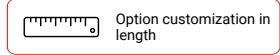
- Designed to protect walkways and divide storage areas.
- Made from stainless steel.
- Ease of assembly without the need for welding.
- To be assembled to tables with shelf.

RANGE	MODEL	CODE	€
500	SP-5	19092808	-
600	SP-6	19092809	-
700	SP-7	19092810	-



Back panel

- Designed to protect walkways and divide storage areas.
- Made from stainless steel.
- Ease of assembly without the need for welding.
- To be assembled to tables with shelf.



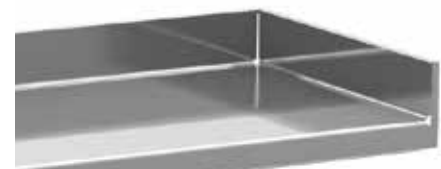
See options

MODEL	TABLE SIZE (mm)	CODE	€
BP-6	600	19094184	-
BP-7	700	19094185	-
BP-8	800	19094186	-
BP-9	900	19094187	-
BP-10	1.000	19094188	-
BP-11	1.100	19094189	-
BP-12	1.200	19094190	-
BP-13	1.300	19094191	-
BP-14	1.400	19094192	-
BP-15	1.500	19094193	-

MODEL	TABLE SIZE (mm)	CODE	€
BP-16	1.600	19094194	-
BP-17	1.700	19094195	-
BP-18	1.800	19094196	-
BP-19	1.900	19094197	-
BP-20	2.000	19094198	-
BP-22	2.200	19094199	-
BP-24	2.400	19094200	-
BP-26	2.600	19094201	-
BP-28	2.800	19094202	-

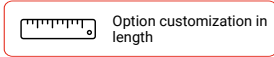
Detached side splash

- Specially designed to be assembled easily on any sink.
- Made from AISI-304 18/10 stainless steel.



RANGE	MODEL	CODE	POSITION	€
500	TPB-5 R	19092811	Right	-
	TPB-5 L	19092812	Left	-
600	TPB-6 R	19092813	Right	-
	TPB-6 L	19092814	Left	-
700	TPB-7 R	19092815	Right	-
	TPB-7 L	19092816	Left	-

Shelves



- Made from AISI-304 18/10 stainless steel with satin finish.
- Lower base reinforced with profile to guarantee greater robustness.

- Better space usage since shelves could be added and assembled later.
- Assembly by fixing four (4) screws.



NS-614



See options

TABLE SIZE (mm)	CODE (500 RANGE)		CODE (600 RANGE)		CODE (700 RANGE)	
	NS-5	€	NS-6	€	NS-7	€
600	19094209	-	19094220	-	19094239	-
700	-	--	19094221	-	19094240	-
800	19094210	-	19094222	-	19094241	-
900	-	-	19094223	-	19094242	-
1.000	19094211	-	19094224	-	19094243	-
1.100	-	-	19094225	-	19094244	-
1.200	19094212	-	19094226	-	19094245	-
1.300	-	-	19094227	-	19094246	-
1.400	19094213	-	19094228	-	19094247	-
1.500	19094214	-	19094229	-	19094248	-
1.600	19094215	-	19094230	-	19094249	-
1.700	-	-	19094231	-	19094250	-
1.800	19094216	-	19094232	-	19094251	-
1.900	-	-	19094233	-	19094252	-
2.000	19094217	-	19094234	-	19094253	-
2.200	19094218	-	19094235	-	19094254	-
2.400	19094219	-	19094236	-	19094255	-
2.600	-	-	19094237	-	19094256	-
2.800	-	-	19094238	-	19094257	-

Sorting hole lid

- Specially designed to be placed on the sorting hole to cover it.



MODEL	CODE	€
RL-232	19092820	-

Castor kit

- Ø125 mm castors.
- Assembled in the square legs of 40 x 40 mm.



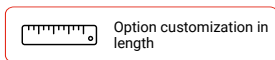
MODEL	CODE	No. CASTORS	TABLE LENGTH	€
CK-4	19092817	4	<= 2.000 mm	-
CK-5	19092818	5	corner tables with door	-
CK-6	19092819	6	> 2.000 mm	-

Options

Option shipped assembled.

ABBREVIATION	CODE	DIMENSIONS (mm)	€
A	0201-0001	Up to 1.200 mm	-
A	0201-0002	Up to 2.000 mm	-
A	0201-0003	Up to 2.800 mm	-

Option customization in length



Indicate the code and price of the next higher model and the desired length.




Option stainless steel reinforcements with profile.

DIMENSIONS (mm)	ABBREVIATION	WORKTOP	€	ABBREVIATION	ONE (1) SHELF	€	ABBREVIATION	WORKTOP AND ONE (1) SHELF	€	ABBREVIATION	WORKTOP AND TWO (2) SHELVES	€
Up to 1.200 mm	ST	0205-0001	-	SS	0205-0006	-	STS	0205-0011	-	ST2S	0205-0016	-
Up to 1.600 mm	ST	0205-0002	-	SS	0205-0007	-	STS	0205-0012	-	ST2S	0205-0017	-
Up to 2.000 mm	ST	0205-0003	-	SS	0205-0008	-	STS	0205-0013	-	ST2S	0205-0018	-
Up to 2.400 mm	ST	0205-0004	-	SS	0205-0009	-	STS	0205-0014	-	ST2S	0205-0019	-
Up to 2.800 mm	ST	0205-0005	-	SS	0205-0010	-	STS	0205-0015	-	ST2S	0205-0020	-

Option door lock.

ABBREVIATION	CODE	DESCRIPTION	€
CR	0206-0001	One (1) lock	-
CR	0206-0002	Two (2) locks	-
CR	0206-0004	Four (4) locks	-

Option faucet hole Ø 33 mm.

ABBREVIATION	CODE	DESCRIPTION	€
33R1	0208-0001	 One (1) hole to the right	-
33L1	0208-0002	 One (1) hole to the left	-
33C1	0208-0003	 One (1) hole centered	-

Option element height.

ABBREVIATION	CODE	DIMENSIONS (mm)	€
H9	0202-0001	900 mm (-10/+50)	-

Note: applies to 600 and 700mm width sinks.

Option 1.5 mm thickness worktop.





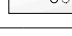

ABBREVIATION	CODE	DIMENSIONS (mm)	€
1,5	0204-0001	Up to 1.200 mm	-
1,5	0204-0002	Up to 2.000 mm	-
1,5	0204-0003	Up to 2.800 mm	-

Option side splash folded and welded to the worktop.

ABBREVIATION	CODE	SIDE	€
SPR	0207-0001	Right	-
SPL	0207-0002	Left	-
SPRL	0207-0003 *	Right + Left	-

* Maximum length up to 2600 mm.

Option one (1) sorting hole with black rubber ring on the worktop to throw waste.

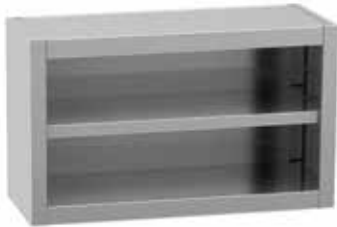
ABBREVIATION	CODE	DESCRIPTION	€
RR	0209-0001	 One (1) hole with ring to the right	-
RL	0209-0002	 One (1) hole with ring to the left	-
RC	0209-0003	 One (1) hole with ring centered	-
RCR	0209-0004	 One (1) hole with ring on the center right. From 2200 mm worktops on.	-
RCL	0209-0005	 One (1) hole with ring on the center left. From 2200 mm worktops on.	-
R	0209-0006	 One (1) custom sorting hole.	-

Wall-mounted cabinets



- Specially designed to optimize available space in professional kitchens.
- Entirely made from stainless steel.
- Wall anchor system, including all accessories needed for installation.
- Height-adjustable intermediate shelf.
- **Supplied assembled.**

Open



MODEL	CODE	DIMENSIONS (mm)	€
CWS1-410	19092847	1.000x400x600	-
CWS1-412	19092848	1.200x400x600	-
CWS1-414	19092849	1.400x400x600	-
CWS1-416	19092850	1.600x400x600	-
CWS1-418	19092851	1.800x400x600	-

Swing doors



MODEL	CODE	DIMENSIONS (mm)	No. DOORS	€
CWHD-45	19092845	500x400x600	1	-
CWHD-410	19092846	1.000x400x600	2	-

Sliding doors



MODEL	CODE	DIMENSIONS (mm)	€
CWD-410	19092852	1.000x400x600	-
CWD-412	19092853	1.200x400x600	-
CWD-414	19092854	1.400x400x600	-
CWD-416	19092855	1.600x400x600	-
CWD-418	19092856	1.800x400x600	-

Corner cabinet with door



- Model to join wall-mounted cabinets in 90° angle corners.

MODEL	CODE	DIMENSIONS (mm)	€
C90WD-4	19092859	700x400x600	-

Sliding doors with drainer



- Model with storing capacity of 36 plates with max Ø280 mm.

MODEL	CODE	DIMENSIONS (mm)	€
CWDD-410	19092857	1.000x400x600	-
CWDD-412	19092858	1.200x400x600	-

Hanging spice rack



- Made of stainless steel.
- Support for pans to be placed under the cabinets (pans not included).

MODEL	CODE	€
GNS-4	19092860	-

FOR CABINETS LENGTH (MM)	QUANTITY OF SPICE RACKS TO ORDER
500	2
1.000	5
1.200	6
1.400	7
1.600	8
1.800	9

High cabinets

Cupboards

- Specially designed to optimize available space in professional kitchens.
- Entirely made from stainless steel.
- Three (3) intermediate stainless steel shelves with reinforcements in

profile. The central shelf is fixed, the other two are height-adjustable.
- Key lock included.
- **Supplied assembled.**

With swing doors



MODEL	CODE	DIMENSIONS (mm)	No. DOORS	€
CSHD-66	19092862	600x600x1.900	1	-
CSHD-610	19092863	1.000x600x1.900	2	-

With sliding doors



MODEL	CODE	DIMENSIONS (mm)	€
CSD-612	19092864	1.200x600x1.900	-
CSD-614	19092865	1.400x600x1.900	-
CSD-616	19092866	1.600x600x1.900	-

Janitorial cabinets

- Specially designed to optimize available space in professional kitchens.
- Entirely made from stainless steel.

- Three (3) intermediate stainless steel shelves with reinforcements in profile. The central shelf is fixed, the other two

- are height-adjustable.
- Key lock included.



MODEL	CODE	DIMENSIONS (mm)	No. DOORS	€
CCHD-66	19092874	600x600x1.900	1	-
CCHD-610	19092875	1.000x600x1.900	2	-



Sloped roof

- Specially designed to prevent dust and dirt built-up on the upper part of the cabinet.
- Made of stainless steel.
- Easy installation on cupboards

DIMENSIONS (mm)	MODEL	CODE	€
600x600x200	CSHDIP-66	19092867	-
1.000x600x200	CSHDIP-610	19092868	-
1.200x600x200	CSDIP-612	19092871	-
1.400x600x200	CSDIP-614	19092872	-
1.600x600x200	CSDIP-616	19092873	-



Utensil bar

- Made of AISI 304 18/10 stainless steel
- Welded plates with holes to fix to the wall (plugs and screws included).

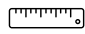
MODEL	CODE	DIMENSIONS (mm)	€
UH-6	19092861	600x40x40	-



Neutral-hot element composition

— Elements with shelves.....	477
— Elements with sliding doors	478
— Elements with swing doors	479
— Elements with drawers.....	480
— Elements with sliding doors and drawers	480
— Hot elements	483
— Elements with rack module	484
— 600 mm height elements	485
— Corner elements.....	486
— Waste collection elements.....	486
— Elements with sink.....	487
— Worktops.....	489
— Recycling station elements	491
— Accessories.....	492
— Options	493

Elements with shelves

 Option customization in length



TMWS1-614



See options

- Worktop made from AISI-304 18/10 stainless steel with satin finish.
- Backsplash of 100 x 15 mm and 50 mm front edge with welded corners.
- Modular element with closed structure made from stainless steel, fully integrable with the rest of neutral and hot elements, through a common or independent worktop.
- Lower base reinforced with profile to guarantee greater robustness.
- 850 mm height with stainless steel height-adjustable feet (-10 mm / + 50 mm).
- **Supplied assembled.**

600 Range

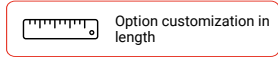


DIMENSIONS (mm)	WALL-MOUNTED	€	CENTRAL	€	WITHOUT WORKTOP	€	PASSTHROUGH	€	PASSTHROUGH WITHOUT WORKTOP	€
	TMWS1-6		TMCS1-6		TMS1-6 SE		TMPS1-6		TMPST1-6 SE	
600x600x850	19094353	-	19094363	-	19094373	-	19094313	-	19094323	-
800x600x850	19094354	-	19094364	-	19094374	-	19094314	-	19094324	-
1.000x600x850	19094355	-	19094365	-	19094375	-	19094315	-	19094325	-
1.200x600x850	19094356	-	19094366	-	19094376	-	19094316	-	19094326	-
1.400x600x850	19094357	-	19094367	-	19094377	-	19094317	-	19094327	-
1.600x600x850	19094358	-	19094368	-	19094378	-	19094318	-	19094328	-
1.800x600x850	19094359	-	19094369	-	19094379	-	19094319	-	19094329	-
2.000x600x850	19094360	-	19094370	-	19094380	-	19094320	-	19094330	-
2.200x600x850	19094361	-	19094371	-	19094381	-	19094321	-	19094331	-
2.400x600x850	19094362	-	19094372	-	19094382	-	19094322	-	19094332	-

700 Range

DIMENSIONS (mm)	WALL-MOUNTED	€	CENTRAL	€	WITHOUT WORKTOP	€	PASSTHROUGH	€	PASSTHROUGH WITHOUT WORKTOP	€
	TMWS1-7		TMCS1-7		TMS1-7 SE		TMPS1-7		TMPST1-7 SE	
600x700x850	19094383	-	19094393	-	19094403	-	19094333	-	19094343	-
800x700x850	19094384	-	19094394	-	19094404	-	19094334	-	19094344	-
1.000x700x850	19094385	-	19094395	-	19094405	-	19094335	-	19094345	-
1.200x700x850	19094386	-	19094396	-	19094406	-	19094336	-	19094346	-
1.400x700x850	19094387	-	19094397	-	19094407	-	19094337	-	19094347	-
1.600x700x850	19094388	-	19094398	-	19094408	-	19094338	-	19094348	-
1.800x700x850	19094389	-	19094399	-	19094409	-	19094339	-	19094349	-
2.000x700x850	19094390	-	19094400	-	19094410	-	19094340	-	19094350	-
2.200x700x850	19094391	-	19094401	-	19094411	-	19094341	-	19094351	-
2.400x700x850	19094392	-	19094402	-	19094412	-	19094342	-	19094352	-

Elements with sliding doors



TMWD-614



See options

- Worktop made from AISI-304 18/10 stainless steel with satin finish.
- Backsplash of 100 x 15 mm and 50 mm front edge with welded corners.
- Modular element with closed structure made from stainless steel, fully integrable with the rest of neutral and hot elements, through a common or independent worktop.
- Lower base reinforced with profile to guarantee greater robustness.
- 850 mm height with stainless steel height-adjustable feet (-10 mm / + 50 mm).
- **Supplied assembled.**
- **Option door lock.**

600 Range



DIMENSIONS (mm)	WALL-MOUNTED TMWD-6	€	CENTRAL TMCD-6	€	WITHOUT WORKTOP TMD-6 SE	€	FOR WORKTOPS WITH BOWL TMD-6 OB SE	€	PASSTHROUGH TMDP-6	€	PASSTHROUGH WITHOUT WORKTOP TMDP-6 SE	€
1.000x600x850	19094437	-	19094443	-	19094449	-	19094455	-	19094413	-	19094419	-
1.200x600x850	19094438	-	19094444	-	19094450	-	19094456	-	19094414	-	19094420	-
1.400x600x850	19094439	-	19094445	-	19094451	-	19094457	-	19094415	-	19094421	-
1.600x600x850	19094440	-	19094446	-	19094452	-	19094458	-	19094416	-	19094422	-
1.800x600x850	19094441	-	19094447	-	19094453	-	19094459	-	19094417	-	19094423	-
2.000x600x850	19094442	-	19094448	-	19094454	-	19094460	-	19094418	-	19094424	-

700 Range

DIMENSIONS (mm)	WALL-MOUNTED TMWD-7	€	CENTRAL TMCD-7	€	WITHOUT WORKTOP TMD-7 SE	€	FOR WORKTOPS WITH BOWL TMD-7 OB SE	€	PASSTHROUGH TMDP-7	€	PASSTHROUGH WITHOUT WORKTOP TMDP-7 SE	€
1.000x700x850	19094461	-	19094467	-	19094473	-	19094479	-	19094425	-	19094431	-
1.200x700x850	19094462	-	19094468	-	19094474	-	19094480	-	19094426	-	19094432	-
1.400x700x850	19094463	-	19094469	-	19094475	-	19094481	-	19094427	-	19094433	-
1.600x700x850	19094464	-	19094470	-	19094476	-	19094482	-	19094428	-	19094434	-
1.800x700x850	19094465	-	19094471	-	19094477	-	19094483	-	19094429	-	19094435	-
2.000x700x850	19094466	-	19094472	-	19094478	-	19094484	-	19094430	-	19094436	-

Elements with swing doors



TMWHD-68



See options

- Worktop made from AISI-304 18/10 stainless steel with satin finish.
- Backsplash of 100 x 15 mm and 50 mm front edge with welded corners.
- Modular element with closed structure made from stainless steel, fully integrable with the rest of neutral and hot elements, through a common or independent worktop.
- Lower base reinforced with profile to guarantee greater robustness.
- 850 mm height with stainless steel height-adjustable feet (-10 mm / + 50 mm).
- **Supplied assembled.**
- **Option door lock.**



600 Range

DIMENSIONS (mm)	WALL- MOUNTED	€	CENTRAL	€	WITHOUT WORKTOP	€	FOR WORK- TOPS WITH BOWL	€	PASSTHROUGH	€	PASSTHROUGH- WITHOUT WORKTOP	€
	TMWHD-6		TMCHD-6		TMHD-6 SE		TMHD-6 OB SE		TMCHDP-6		TMHDP-6 SE	
400x600x850	19094497	-	19094501	-	19094505	-	-	-	19094527	-	19094531	-
600x600x850	19094498	-	19094502	-	19094506	-	19094509	-	19094528	-	19094532	-
800x600x850	19094499	-	19094503	-	19094507	-	19094510	-	19094529	-	19094533	-
1.000x600x850	19094500	-	19094504	-	19094508	-	19094511	-	19094530	-	19094534	-

700 Range

DIMENSIONS (mm)	WALL- MOUNTED	€	CENTRAL	€	WITHOUT WORKTOP	€	FOR WORK- TOPS WITH BOWL	€	PASSTHROUGH	€	PASSTHROUGH- WITHOUT WORKTOP	€
	TMWHD-7		TMCHD-7		TMHD-7 SE		TMHD-7 OB SE		TMCHDP-7		TMHDP-7 SE	
400x700x850	19094512	-	19094516	-	19094520	-	-	-	19094535	-	19094539	-
600x700x850	19094513	-	19094517	-	19094521	-	19094524	-	19094536	-	19094540	-
800x700x850	19094514	-	19094518	-	19094522	-	19094525	-	19094537	-	19094541	-
1.000x700x850	19094515	-	19094519	-	19094523	-	19094526	-	19094538	-	19094542	-

Elements with drawers or hopper



TMWDR3-64



TMWDR1-66



TMWWH-66



See options

- Worktop made from AISI-304 18/10 stainless steel with satin finish.
- Backsplash of 100 x 15 mm and 50 mm front edge with welded corners.
- Modular element with closed structure made from stainless steel, fully integrable with the rest of neutral and hot elements, through a common or independent worktop.

- Lower base reinforced with profile to guarantee greater robustness.
- 850 mm height elements with stainless steel height-adjustable feet (-10 mm / + 50 mm)..
- **Supplied assembled.**

Element with 3 drawers

- Module with three (3) drawers.
- Removable drawers with telescopic sliding guides.
- Effective dimensions of the drawer 304 x 435 x 105 mm.



RANGE	DIMENSIONS (mm)	MODEL	WALL-MOUNTED	€	MODEL	CENTRAL	€	MODEL	WITHOUT WORKTOP	€
600	400x600x850	TMWDR3-64	19094485	-	TMCDR3-64	19094486	-	TMDR3-64 SE	19094487	-
700	400x700x850	TMWDR3-74	19094488	-	TMCDR3-74	19094489	-	TMDR3-74 SE	19094490	-

Element with large capacity drawer

- Specially designed to be used as a bread dispenser, to place waste bags or other applications.
- Removable drawer equipped with telescopic guides with brake.



RANGE	DIMENSIONS (mm)	MODEL	WALL-MOUNTED	€	MODEL	CENTRAL	€	MODEL	WITHOUT WORKTOP	€
600	600x600x850	TMWDR1-66	19094491	-	TMCDR1-66	19094492	-	TMDR1-66 SE	19094493	-
700	600x700x850	TMWDR1-76	19094494	-	TMCDR1-76	19094495	-	TMDR1-76 SE	19094496	-

Elements with hopper

- Specially designed to be used as a bread dispenser, to place waste bags or other applications.
- Opening with folding lid.



RANGE	DIMENSIONS (mm)	MODEL	WALL-MOUNTED	€	MODEL	CENTRAL	€	MODEL	WITHOUT WORKTOP	€
600	600x600x850	TMWWH-66	19106416	-	TMCWH-66	19106418	-	TMWH-66 SE	19106421	-
700	600x700x850	TMWWH-76	19106417	-	TMCWH-76	19106420	-	TMWH-76 SE	19106422	-


Elements with sliding doors and drawers



TMWDDR3R-614



TMWDDR3L-614

 Option customization in length



See options

- Worktop made from AISI-304 18/10 stainless steel with satin finish.
- Backsplash of 100 x 15 mm and 50 mm front edge with welded corners.
- Modular element with closed structure made from stainless steel, fully integrable with the rest of neutral and hot elements, through a common or independent worktop.
- Lower base reinforced with profile to guarantee greater robustness.
- 850 mm height elements with stainless steel height-adjustable feet (-10 mm / + 50 mm).

- Intermediate shelf made from stainless steel, adjustable in height and reinforced with profiles.
- Module with three (3) drawers included.
- Removable drawers with telescopic sliding guides.
- Effective dimensions of the drawer 304 x 435 x 105 mm.
- **Supplied assembled.**
- **Option door lock.**

Drawers at the right



600 Range

DIMENSIONS (mm)	WALL-MOUNTED	€	CENTRAL	€	WITHOUT WORKTOP	€
	TMWDDR3R-6		TMCD3R-6		TMDDR3R-6 SE	
1.400x600x850	19094579	-	19094585	-	19094591	-
1.600x600x850	19094580	-	19094586	-	19094592	-
1.800x600x850	19094581	-	19094587	-	19094593	-
2.000x600x850	19094582	-	19094588	-	19094594	-
2.200x600x850	19094583	-	19094589	-	19094595	-
2.400x600x850	19094584	-	19094590	-	19094596	-

700 Range

DIMENSIONS (mm)	WALL-MOUNTED	€	CENTRAL	€	WITHOUT WORKTOP	€
	TMWDDR3R-7		TMCD3R-7		TMDDR3R-7 SE	
1.400x700x850	19094597	-	19094603	-	19094609	-
1.600x700x850	19094598	-	19094604	-	19094610	-
1.800x700x850	19094599	-	19094605	-	19094611	-
2.000x700x850	19094600	-	19094606	-	19094612	-
2.200x700x850	19094601	-	19094607	-	19094613	-
2.400x700x850	19094602	-	19094608	-	19094614	-



Drawers at the left

600 Range



DIMENSIONS (mm)	WALL-MOUNTED	€	CENTRAL	€	WITHOUT WORKTOP	€
	TMWDDR3L-6		TMCD3L-6		TMDDR3L-6 SE	
1.400x600x850	19094543	-	19094549	-	19094555	-
1.600x600x850	19094544	-	19094550	-	19094556	-
1.800x600x850	19094545	-	19094551	-	19094557	-
2.000x600x850	19094546	-	19094552	-	19094558	-
2.200x600x850	19094547	-	19094553	-	19094559	-
2.400x600x850	19094548	-	19094554	-	19094560	-

700 Range

DIMENSIONS (mm)	WALL-MOUNTED	€	CENTRAL	€	WITHOUT WORKTOP	€
	TMWDDR3L-7		TMCD3L-7		TMDDR3L-7 SE	
1.400x700x850	19094561	-	19094567	-	19094573	-
1.600x700x850	19094562	-	19094568	-	19094574	-
1.800x700x850	19094563	-	19094569	-	19094575	-
2.000x700x850	19094564	-	19094570	-	19094576	-
2.200x700x850	19094565	-	19094571	-	19094577	-
2.400x700x850	19094566	-	19094572	-	19094578	-

Hot elements



TMWH-614



See options

- Worktop made from AISI-304 18/10 stainless steel with satin finish.
- Backsplash of 100 x 15 mm and 50 mm front edge with welded corners.
- Modular element with closed structure made from stainless steel, fully integrable with the rest of neutral elements, through a common or independent worktop.
- Lower base reinforced with profile to guarantee greater robustness.
- 850 mm height elements with stainless steel height-adjustable feet (-10 mm / + 50 mm).
- Forced hot air distribution system. Resistor-fan system enables a fast heating up and produces an efficient air circulation inside.
- Wool rock insulation.
- Electronic thermostat, with digital display, to control and regulate the temperature at desired set point.
- Working temperature: from +30 °C to +90 °C.
- **Supplied assembled.**
- **Option door lock.**

600 Range



DIMENSIONS (mm)	Hz	VOLTAGE	POWER (W)	WALL-MOUNTED		CENTRAL		WITHOUT WORKTOP	
				TMWH-6	€	TMCH-6	€	TMH-6 SE	€
1.200x600x850	50/60	230V 1N	1.565	19094681	-	19094645	-	19094649	-
1.400x600x850	50/60	230V 1N	1.565	19094682	-	19094646	-	19094650	-
1.600x600x850	50/60	230V 1N	2.600	19094683	-	19094647	-	19094651	-
1.800x600x850	50/60	230V 1N	2.600	19094684	-	19094648	-	19094652	-



DIMENSIONS (mm)	Hz	VOLTAGE	POWER (W)	PASSTHROUGH		PASSTHROUGH WITHOUT WORKTOP	
				TMPH-6	€	TMPH-6 SE	€
1200x600x850	50/60	230V 1N	1565	19094663	-	19094667	-
1400x600x850	50/60	230V 1N	2600	19094664	-	19094668	-
1600x600x850	50/60	230V 1N	2600	19094665	-	19094669	-
1800x600x850	50/60	230V 1N	3000	19094666	-	19094670	-

700 Range



DIMENSIONS (mm)	Hz	VOLTAGE	POWER (W)	WALL-MOUNTED	€	CENTRAL	€	WITHOUT WORKTOP	€
				TMWH-7		TMCH-7		TMH-7 SE	
1.200x700x850	50/60	230V 1N	1.565	19094685	-	19094653	-	19094658	-
1.400x700x850	50/60	230V 1N	1.565	19094686	-	19094654	-	19094659	-
1.600x700x850	50/60	230V 1N	2.600	19094687	-	19094655	-	19094660	-
1.800x700x850	50/60	230V 1N	2.600	19094688	-	19094656	-	19094661	-
2.000x700x850	50/60	230V 1N	3.000	19094689	-	19094657	-	19094662	-



DIMENSIONS (mm)	Hz	VOLTAGE	POWER (W)	PASSTHROUGH	€	PASSTHROUGH WITHOUT WORKTOP	€
				TMPH-7		TMPH-7 SE	
1.200x700x850	50/60	230V 1N	2.600	19094671	-	19094676	-
1.400x700x850	50/60	230V 1N	2.600	19094672	-	19094677	-
1.600x700x850	50/60	230V 1N	2.600	19094673	-	19094678	-
1.800x700x850	50/60	230V 1N	3.000	19094674	-	19094679	-
2.000x700x850	50/60	230V 1N	3.000	19094675	-	19094680	-

Elements with rack module



TMC-78 GN



See options

- Worktop made from AISI-304 18/10 stainless steel with satin finish.
- Backsplash of 100 x 15 mm and 50 mm front edge with welded corners.
- Modular element with closed structure made from stainless steel, fully integrable with the rest of neutral and hot elements, through a common or independent worktop.

- Designed to store grids or pans.
- Lower base reinforced with profile to guarantee greater robustness.
- 850 mm height elements with stainless steel height-adjustable feet (-10 mm / + 50 mm).
- **Supplied assembled.**

600 Range

CAPACITY	DIMENSIONS (mm)	MODEL	WALL-MOUNTED	€	MODEL	CENTRAL	€	MODEL	WITHOUT WORKTOP	€
			TMW-64 GN		19094627	TMC-64 GN		19094629	TM-64 GN SE	
1xGN 1/1	400x600x850	TMW-64 GN	19094627	-	TMC-64 GN	19094629	-	TM-64 GN SE	19094631	-
2xGN 1/1	800x600x850	TMW-68 GN	19094628	-	TMC-68 GN	19094630	-	TM-68 GN SE	19094632	-

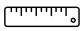
700 Range

CAPACITY	DIMENSIONS (mm)	MODEL	WALL-MOUNTED	€	MODEL	CENTRAL	€	MODEL	WITHOUT WORKTOP	€
			TMW-74 GN		19094633	TMC-74 GN		19094637	TM-74 GN SE	
1xGN 1/1	400x700x850	TMW-74 GN	19094633	-	TMC-74 GN	19094637	-	TM-74 GN SE	19094641	-
1x600x400	500x700x850	TMW-75 P	19094634	-	TMC-75 P	19094638	-	TM-75 P SE	19094642	-
2xGN 1/1	800x700x850	TMW-78 GN	19094635	-	TMC-78 GN	19094639	-	TM-78 GN SE	19094643	-
2x600x400	1.000x700x850	TMW-710 P	19094636	-	TMC-710 P	19094640	-	TM-710 P SE	19094644	-

600 mm height elements



TM6W-612

 Option customization in length



TM6WHD-68



See options

- Worktop made from AISI-304 18/10 stainless steel with satin finish.
- Backsplash of 100 x 15 mm and 50 mm front edge with welded corners.
- Modular element with closed structure made from stainless steel, fully integrable with the rest of 600 mm-height neutral elements, through a common or independent worktop.

- Lower base reinforced with profile to guarantee greater robustness.
- Designed to support cooking appliances and place the working height at 850-900 mm. With stainless steel height-adjustable feet (-10 mm / + 50 mm).
- **Supplied assembled.**
- **Option door lock (Elements with swing doors).**

Open elements



DIMENSIONS (mm)	WALL-MOUNTED	€	CENTRAL	€	WITHOUT WORKTOP	€
	TM6W-6 TM6W-7		TM6C-6 TM6C-7		TM6-6 SE TM6-7 SE	
600 RANGE						
600x600x600	19094690	-	19094696	-	19094702	-
800x600x600	19094691	-	19094697	-	19094703	-
1.000x600x600	19094692	-	19094698	-	19094704	-
1.200x600x600	19094693	-	19094699	-	19094705	-
1.400x600x600	19094694	-	19094700	-	19094706	-
1.600x600x600	19094695	-	19094701	-	19094707	-
700 RANGE						
600x700x600	19094708	-	19094714	-	19094720	-
800x700x600	19094709	-	19094715	-	19094721	-
1.000x700x600	19094710	-	19094716	-	19094722	-
1.200x700x600	19094711	-	19094717	-	19094723	-
1.400x700x600	19094712	-	19094718	-	19094724	-
1.600x700x600	19094713	-	19094719	-	19094725	-

Elements with swing doors



DIMENSIONS (mm)	WALL-MOUNTED	€	CENTRAL	€	WITHOUT WORKTOP	€
	TM6WHD-6 TM6WHD-7		TM6CHD-6 TM6CHD-7		TM6HD-6 SE TM6HD-7 SE	
600 RANGE						
400x600x600	19094726	-	19094730	-	19094734	-
600x600x600	19094727	-	19094731	-	19094735	-
800x600x600	19094728	-	19094732	-	19094736	-
1.000x600x600	19094729	-	19094733	-	19094737	-
700 RANGE						
400x700x600	19094738	-	19094742	-	19094746	-
600x700x600	19094739	-	19094743	-	19094747	-
800x700x600	19094740	-	19094744	-	19094748	-
1.000x700x600	19094741	-	19094745	-	19094749	-

Corner elements



TM90W-6 R



See options

- Worktop made from AISI-304 18/10 stainless steel with satin finish.
- Backsplash of 100 x 15 mm and 50 mm front edge with welded corners.
- Modular element with closed structure made from stainless steel, fully integrable with the rest of neutral and hot elements, through an independent worktop.
- Designed to optimize the space in the corners while maintaining a homogeneous line next to neutral and hot elements.

- Lower base reinforced with profile to guarantee greater robustness.
- 850 mm height elements with stainless steel height-adjustable feet (-10 mm / + 50 mm).
- **Supplied assembled.**
- **Option door lock.**

Closed corner elements

- Specially designed with a coupling module for one (1) swing door to facilitate the connection to another worktop.

- Requires worktop with 500 mm overhang on coupling module.
- Straight corners.

600 Range

MODEL	CODE	DIMENSIONS (mm)	POSITION	€
TM90W-6 R	19094621	1.100x600x850	Right	-
TM90W-6 L	19094622	1.100x600x850	Left	-

700 Range

MODEL	CODE	DIMENSIONS (mm)	POSITION	€
TM90W-7 R	19094623	1.200x700x850	Right	-
TM90W-7 L	19094624	1.200x700x850	Left	-

Corner elements with door

600 Range

MODEL	CODE	DIMENSIONS (mm)	€
TM90WD-6	19094625	1.000x1.000x600x850	-

700 Range

MODEL	CODE	DIMENSIONS (mm)	€
TM90WD-7	19094626	1.000x1.000x700x850	-

Waste collection elements



See options

- Corner elements with door
- Modular element with closed structure made from stainless steel, fully integrable with the rest of neutral and hot elements, through a common or independent worktop.
- 850 mm height elements with stainless steel height-adjustable feet (-10 mm / + 50 mm).

- Sorting hole with rubber ring to throw waste. A waste bin (not included) with maximum diameter of 360 mm could be placed under the counter.
- **Supplied assembled.**



RANGE	DIMENSIONS (mm)	MODEL	WALL-MOUNTED	€	MODEL	CENTRAL	€	MODEL	WITHOUT WORKTOP	€
600	600x600x850	TMWD-R-66	19094615	-	TMCD-R-66	19094616	-	TMD-R-66 SE	19094617	-
700	600x700x850	TMWD-R-76	19094618	-	TMCD-R-76	19094619	-	TMD-R-76 SE	19094620	-

Elements with sink



See options

- Modular element with closed structure made from stainless steel, fully integrable with the rest of neutral elements, through an independent worktop.
- Lower base reinforced with profile to guarantee greater robustness.
- 850 mm height elements with stainless steel height-adjustable feet (-10 mm / + 50 mm).
- Worktop fully made from AISI-304 18/10 stainless steel, 1 mm thickness and overflow rim.
- Single-pressed, sound-proof bowls.
- Drain valve and overflow pipe for each bowl.
- Backsplash of 100 x 15 mm and 50 mm front edge with welded corners.
- **Supplied assembled.**
- **Option door lock.**



600 Range

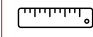
MODEL	DIMENSIONS (mm)		BOWL DIMENSIONS (mm)	ELEMENTS WITH DOORS	DOOR TYPE	€	ELEMENTS WITH DOORS AND SPACE FOR UNDERCOUNTER DISHWASHER		€
							D	WD	
SKM-66	600x600		B1	500x400x250	19094750	Swing	-	-	-
SKM-610	1.000x600		B1 D1R	400x400x250	19094751	Sliding	-	-	-
			B1 D1L	400x400x250	19094752	Sliding	-	-	-
			B2	400x400x250	19094753	Sliding	-	-	-
SKM-612	1.200x600		B1 D1R	500x400x250	19094754	Sliding	-	19094766	Swing
			B1 D1L	500x400x250	19094755	Sliding	-	19094767	Swing
			B2	500x400x250	19094756	Sliding	-	-	-
SKM-614	1.400x600		B2 D1R	400x400x250	19094757	Sliding	-	-	-
			B2 D1L	400x400x250	19094758	Sliding	-	-	-
			B1 D1R	500x400x250	19094759	Sliding	-	19094768	Swing
			B1 D1L	500x400x250	19094760	Sliding	-	19094769	Swing
SKM-616	1.600x600		B2 D1R	500x400x250	19094761	Sliding	-	-	-
			B2 D1L	500x400x250	19094762	Sliding	-	-	-
SKM-618	1.800x600		B2 D1R	500x400x250	19094763	Sliding	-	19094770	Sliding
			B2 D1L	500x400x250	19094764	Sliding	-	19094771	Sliding
SKM-620	2.000x600		B2 D2RL	500x400x250	19094765	Sliding	-	-	-



700 Range

MODEL	DIMENSIONS (mm)		BOWL DIMENSIONS (mm)	ELEMENTS WITH DOORS	DOOR TYPE	€	ELEMENTS WITH DOORS AND SPACE FOR UNDERCOUNTER DISHWASHER	DOOR TYPE	€	
				D			WD			
SKM-77	700x700		B1	500x500x300	19094772	Swing	-	-	-	-
SKM-710	1.000x700		B1 D1R	400x500x300	19094773	Sliding	-	-	-	-
			B1 D1L	400x500x300	19094774	Sliding	-	-	-	-
			B2	400x500x300	19094775	Sliding	-	-	-	-
SKM-712	1.200x700		B1 D1R	500x500x300	19094776	Sliding	-	19094789	Swing	-
			B1 D1L	500x500x300	19094777	Sliding	-	19094790	Swing	-
			B2	500x500x300	19094778	Sliding	-	-	-	-
SKM-714	1.400x700		B1 D1R	600x500x300	19094779	Sliding	-	19094791	Swing	-
			B1 D1L	600x500x300	19094780	Sliding	-	19094792	Swing	-
			B2	600x500x300	19094781	Sliding	-	-	-	-
SKM-716	1.600x700		B2 D1R	500x500x300	19094782	Sliding	-	-	-	-
			B2 D1L	500x500x300	19094783	Sliding	-	-	-	-
SKM-718	1.800x700		B2 D1R	500x500x300	19094784	Sliding	-	19094793	Sliding	-
			B2 D1L	500x500x300	19094785	Sliding	-	19094794	Sliding	-
			B3	500x500x300	19094786	Sliding	-	-	-	-
SKM-720	2.000x700		B2 D1R	600x500x300	19094787	Sliding	-	-	-	-
			B2 D1L	600x500x300	19094788	Sliding	-	-	-	-

Worktops

 Option customization in length

- Worktop made from AISI-304 18/10 stainless steel with satin finish.
- Backsplash of 100 x 15 mm and 50 mm front edge with

welded corners.

- Designed to be mounted on neutral and hot element compositions without worktop.



See options

Flat worktops

600 Range



DIMENSIONS (mm)	WALL-MOUNTED		CENTRAL	
	MTTW-6	€	MTTC-6	€
600x600	19094903	-	19094880	-
700x600	19094904	-	19094881	-
800x600	19094905	-	19094882	-
900x600	19094906	-	19094883	-
1.000x600	19094907	-	19094884	-
1.100x600	19094908	-	19094885	-
1.200x600	19094909	-	19094886	-
1.300x600	19094910	-	19094887	-
1.400x600	19094911	-	19094888	-
1.500x600	19094912	-	19094889	-
1.600x600	19094913	-	19094890	-
1.700x600	19094914	-	19094891	-
1.800x600	19094915	-	19094892	-
1.900x600	19094916	-	19094893	-
2.000x600	19094917	-	19094894	-
2.100x600	19094918	-	19094895	-
2.200x600	19094919	-	19094896	-
2.300x600	19094920	-	19094897	-
2.400x600	19094921	-	19094898	-
2.500x600	19094922	-	19094899	-
2.600x600	19094923	-	19094900	-
2.700x600	19094924	-	19094901	-
2.800x600	19094925	-	19094902	-

700 Range



DIMENSIONS (mm)	WALL-MOUNTED		CENTRAL	
	MTTW-7	€	MTTC-7	€
600x700	19094949	-	19094926	-
700x700	19094950	-	19094927	-
800x700	19094951	-	19094928	-
900x700	19094952	-	19094929	-
1.000x700	19094953	-	19094930	-
1.100x700	19094954	-	19094931	-
1.200x700	19094955	-	19094932	-
1.300x700	19094956	-	19094933	-
1.400x700	19094957	-	19094934	-
1.500x700	19094958	-	19094935	-
1.600x700	19094959	-	19094936	-
1.700x700	19094960	-	19094937	-
1.800x700	19094961	-	19094938	-
1.900x700	19094962	-	19094939	-
2.000x700	19094963	-	19094940	-
2.100x700	19094964	-	19094941	-
2.200x700	19094965	-	19094942	-
2.300x700	19094966	-	19094943	-
2.400x700	19094967	-	19094944	-
2.500x700	19094968	-	19094945	-
2.600x700	19094969	-	19094946	-
2.700x700	19094970	-	19094947	-
2.800x700	19094971	-	19094948	-

Double central flat worktop



1200 Range

MODEL	CODE	DIMENSIONS (mm)	€
MTTC-1214	19094795	1.400x1.200	-
MTTC-1216	19094796	1.600x1.200	-
MTTC-1218	19094797	1.800x1.200	-
MTTC-1220	19094798	2.000x1.200	-
MTTC-1222	19094799	2.200x1.200	-
MTTC-1224	19094800	2.400x1.200	-
MTTC-1226	19094801	2.600x1.200	-
MTTC-1228	19094802	2.800x1.200	-

1300 Range

MODEL	CODE	DIMENSIONS (mm)	€
MTTC-1314	19094803	1.400x1.300	-
MTTC-1316	19094804	1.600x1.300	-
MTTC-1318	19094805	1.800x1.300	-
MTTC-1320	19094806	2.000x1.300	-
MTTC-1322	19094807	2.200x1.300	-
MTTC-1324	19094808	2.400x1.300	-
MTTC-1326	19094809	2.600x1.300	-
MTTC-1328	19094810	2.800x1.300	-

Worktops with bowl

- Welded bowl of 500 x 400 x 250 mm.

600 Range



DIMENSIONS (mm)	BOWL TO THE RIGHT	€	BOWL TO THE LEFT	€	BOWL IN CENTER	€
	MTTW-B1R-6		MTTW-B1L-6		MTTW-B1C-6	
1.000x600	19094972	-	19094983	-	19094994	-
1.200x600	19094973	-	19094984	-	19094995	-
1.400x600	19094974	-	19094985	-	19094996	-
1.500x600	19094975	-	19094986	-	19094997	-
1.600x600	19094976	-	19094987	-	19094998	-
1.800x600	19094977	-	19094988	-	19094999	-
2.000x600	19094978	-	19094989	-	19095000	-
2.200x600	19094979	-	19094990	-	19095001	-
2.400x600	19094980	-	19094991	-	19095002	-
2.600x600	19094981	-	19094992	-	19095003	-
2.800x600	19094982	-	19094993	-	19095004	-

700 Range

DIMENSIONS (mm)	BOWL TO THE RIGHT	€	BOWL TO THE LEFT	€	BOWL IN CENTER	€
	MTTW-B1R-7		MTTW-B1L-7		MTTW-B1C-7	
1.000x700	19095005	-	19095016	-	19095027	-
1.200x700	19095006	-	19095017	-	19095028	-
1.400x700	19095007	-	19095018	-	19095029	-
1.500x700	19095008	-	19095019	-	19095030	-
1.600x700	19095009	-	19095020	-	19095031	-
1.800x700	19095010	-	19095021	-	19095032	-
2.000x700	19095011	-	19095022	-	19095033	-
2.200x700	19095012	-	19095023	-	19095034	-
2.400x700	19095013	-	19095024	-	19095035	-
2.600x700	19095014	-	19095025	-	19095036	-
2.800x700	19095015	-	19095026	-	19095037	-

Reinforced profile refrigerated tables

- Made from stainless steel.

in modular compositions.

- To be installed on refrigerated tables without countertop for alignment

MODEL	CODE	APPLIES TO	€
R-ACP	19095383	GN ACP refrigerated counters	-
R-CCP-G	19095384	GN CCP refrigerated counters	-
R-CCP-S	19095385	Snack CCP refrigerated counters	-

FOR REFRIGERATED COUNTERS LENGTH (mm)	QUANTITY
<2.000	3
>=2.000	4

Recycling station elements




See options

- Worktop made from AISI-304 18/10 stainless steel with satin finish.
- Backsplash of 100 x 15 mm and 50 mm front edge with welded corners.
- Element with closed structure made from stainless steel.
- 850 mm height elements with stainless steel height-adjustable feet (-10 mm / + 50 mm).


- Designed for the classification and collection of waste.
- Ø195 mm holes for placing rubber rings.
- Rubber ring (not included) to throw waste. A waste bin (not included) with maximum diameter of 360 mm could be placed under the counter.
- **Supplied assembled.**



Mural

MODEL	CODE	DIMENSIONS (mm)	HOLES	€
ADULTS				
TMW-R-612	19094813	1.200x600x850	2	-
TMW-R-618	19094814	1.800x600x850	3	-
KIDS  kids				
TMW-R-K-612	19094817	1.200x600x700	2	-
TMW-R-K-618	19094818	1.800x600x700	3	-

Central

MODEL	CODE	DIMENSIONS (mm)	HOLES	€
ADULTS				
TMC-R-612	19094811	1.200x600x850	2	-
TMC-R-618	19094812	1.800x600x850	3	-
KIDS  kids				
TMC-R-K-612	19094815	1.200x600x700	2	-
TMC-R-K-618	19094816	1.800x600x700	3	-



Rubber ring

- Removable internal Ø162 mm rubber ring that facilitates the identification of the container.
- Easy to clean and disinfect.

MODEL	CODE	COLOR	€
R-Y232	19092787	Yellow	-
R-B232	19092788	Blue	-
R-R232	19092789	Red	-
R-G232	19092790	Green	-

Accessories

Sorting hole lid

- Specially designed to be placed on the sorting hole to cover it.



MODEL	CODE	€
RL-232	19092820	-

Castors kit

- Ø125 mm castors.

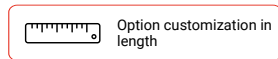


MODEL	CODE	No. CASTORS	TABLE LENGTH	€
CMK-4	19092830	4	<= 2.000 mm	-
CMK-5	19092831	5	Closed corner elements	-
CMK-6	19092832	6	> 2.000 mm	-

Plinths

- Made from stainless steel and easy assembling.

For modular neutral and hot elements



MODEL	CODE	DIMENSIONS (mm)	€
PF-4	19094819	400	-
PF-5	19094820	500	-
PF-6	19094821	600	-
PF-8	19094822	800	-
PF-10	19094823	1.000	-
PF-12	19094824	1.200	-
PF-14	19094825	1.400	-
PF-16	19094826	1.600	-
PF-18	19094827	1.800	-
PF-20	19094828	2.000	-
PF-22	19092779	2.200	-
PF-24	19095040	2.400	-
SF-6	19092843	600 mm side	-
SF-7	19092844	700 mm side	-
PF-90WD	19095380	Closed corner elements	-
PF-90W	19095381	Corner elements with door - right or left worktop	-

For refrigerated counters Concept

MODEL	CODE	APPLIES TO	€
PF-CC-2G	19092833	Concept GN 2-door refrigerated counters	-
PF-CC-3G	19092834	Concept GN 3-door refrigerated counters	-
PF-CC-4G	19092835	Concept GN 4-door refrigerated counters	-
PF-CC-2G R	19092836	Concept GN 2-door remote refrigerated counters	-
PF-CC-3G R	19092837	Concept GN 3-door remote refrigerated counters	-
PF-CC-4G R	19092838	Concept GN 4-door remote refrigerated counters	-
PF-CC-2S	19107247	Concept Snack 2-door refrigerated counters	-
PF-CC-3S	19092839	Concept Snack 3-door refrigerated counters	-
PF-CC-4S	19092840	Concept Snack 4-door refrigerated counters	-
PF-CC-2S R	19092841	Concept Snack 2-door remote refrigerated counters	-
PF-CC-3S R	19092842	Concept Snack 3-door remote refrigerated counters	-
PF-CC-4S R	19107248	Concept Snack 4-door remote refrigerated counters	-
SF-G	19107249	Side plinth for Concept GN refrigerated counters	-
SF-S	19107251	Side plinth for Concept Snack refrigerated counters	-

For refrigerated counters Advance

MODEL	CODE	APPLIES TO	€
PF-AC-2G	19095562	Advance GN 2-door refrigerated counters	-
PF-AC-3G	19095563	Advance GN 3-door refrigerated counters	-
PF-AC-4G	19095564	Advance GN 4-door refrigerated counters	-
SF-A	19107252	Side plinth for Advance GN refrigerated counters	-

Options

Option customization in length



Indicate the code and price of the next higher model and the desired length.

Option 1.5 mm thickness worktop.

ABBREVIATION	CODE	DIMENSIONS (mm)	€
1,5	0204-0001	Up to 1.200 mm	-
1,5	0204-0002	Up to 2.000 mm	-
1,5	0204-0003	Up to 2.800 mm	-

Option stainless steel reinforcements with profile.

DIMENSIONS (mm)	ABBREVIATION	WORKTOPS	€	ABBREVIATION	ONE (1) SHELF	€	ABBREVIATION	WORKTOP AND ONE (1) SHELF	€	ABBREVIATION	WORKTOP AND TWO (2) SHELVES	€
Up to 1.200 mm	ST	0205-0001	-	SS	0205-0006	-	STS	0205-0011	-	ST2S	0205-0016	-
Up to 1.600 mm	ST	0205-0002	-	SS	0205-0007	-	STS	0205-0012	-	ST2S	0205-0017	-
Up to 2.000 mm	ST	0205-0003	-	SS	0205-0008	-	STS	0205-0013	-	ST2S	0205-0018	-
Up to 2.400 mm	ST	0205-0004	-	SS	0205-0009	-	STS	0205-0014	-	ST2S	0205-0019	-

Option door lock.

ABBREVIATION	CODE	DESCRIPTION	€
CR	0206-0001	One (1) lock	-
CR	0206-0002	Two (2) locks	-
CR	0206-0004	Four (4) locks	-






Option side splash folded and welded to the worktop.

ABBREVIATION	CODE	SIDE	€
SPR	0207-0001	Right	-
SPL	0207-0002	Left	-
SPRL	0207-0003 *	Right + Left	-



* Maximum length up to 2.600 mm.

Option faucet hole Ø 33 mm.

ABBREVIATION	CODE	DESCRIPTION	€
33R1	0208-0001	 One (1) hole to the right	-
33L1	0208-0002	 One (1) hole to the left	-
33C1	0208-0003	 One (1) hole centered	-
33B1	0208-0004	 One (1) hole between two (2) bowls	-
33R2	0208-0005	 Two (2) holes to the right	-
33L2	0208-0006	 Two (2) holes to the left	-

ABBREVIATION	CODE	DESCRIPTION	€
33C2	0208-0007	 Two (2) holes centered	-
33B2	0208-0008	 Two (2) holes between three (3) bowls	-
33R3	0208-0009	 Three (3) holes to the right	-
33L3	0208-0010	 Three (3) holes to the left	-
33C3	0208-0011	 Three (3) holes centered	-

Option one (1) sorting hole with black rubber ring on the worktop to throw waste.

ABBREVIATION	CODE	DESCRIPTION	€
RC	0209-0003	 One (1) hole with ring centered	-
R	0209-0006	 One (1) custom hole with ring	-

Composition examples

Wall-mounted corner composition with integrated refrigerated counter:



No	MODEL	CODE	DESCRIPTION	DIMENSIONS (mm)	QUANTITY
1	MTTW-726	19094969	Wall-mounted flat worktop	2.600x700	1
2	TMDR3-74 SE	19094490	Element with 3 drawers without worktop	400x700x850	1
3	TMHD-76 SE	19094521	Elements with swing doors without worktop	600x700x850	1
4	TM-74 GN SE	19094641	Element with rack module 1xGN1/1 without worktop	400x700x850	1
5	TMS1-712 SE	19094406	Element with shelves without worktop	1.200x700x850	1
6	TM90WD-7	19094626	Corner element with door	1.000x1.000x700x850	1
7	MTTW-B1R-724	19095013	Worktop with bowl to the right	2.400x700	1
		-	L= 2.342 mm		
	33C1	0208-0003	One (1) centered faucet hole Ø 33 mm		
8	CCP-2G NT	19089829	Concept GN 2-door refrigerated counters without worktop	1.342x700x850	1
9	R-CCP-G	19095384	Reinforcement with profiles for Concept refrigerated counters	-	3
10	TMHD-710 OB SE	19094526	Elements with swing doors for worktops with bowl	1.000x700x850	1

Double central composition with integrated hot element:

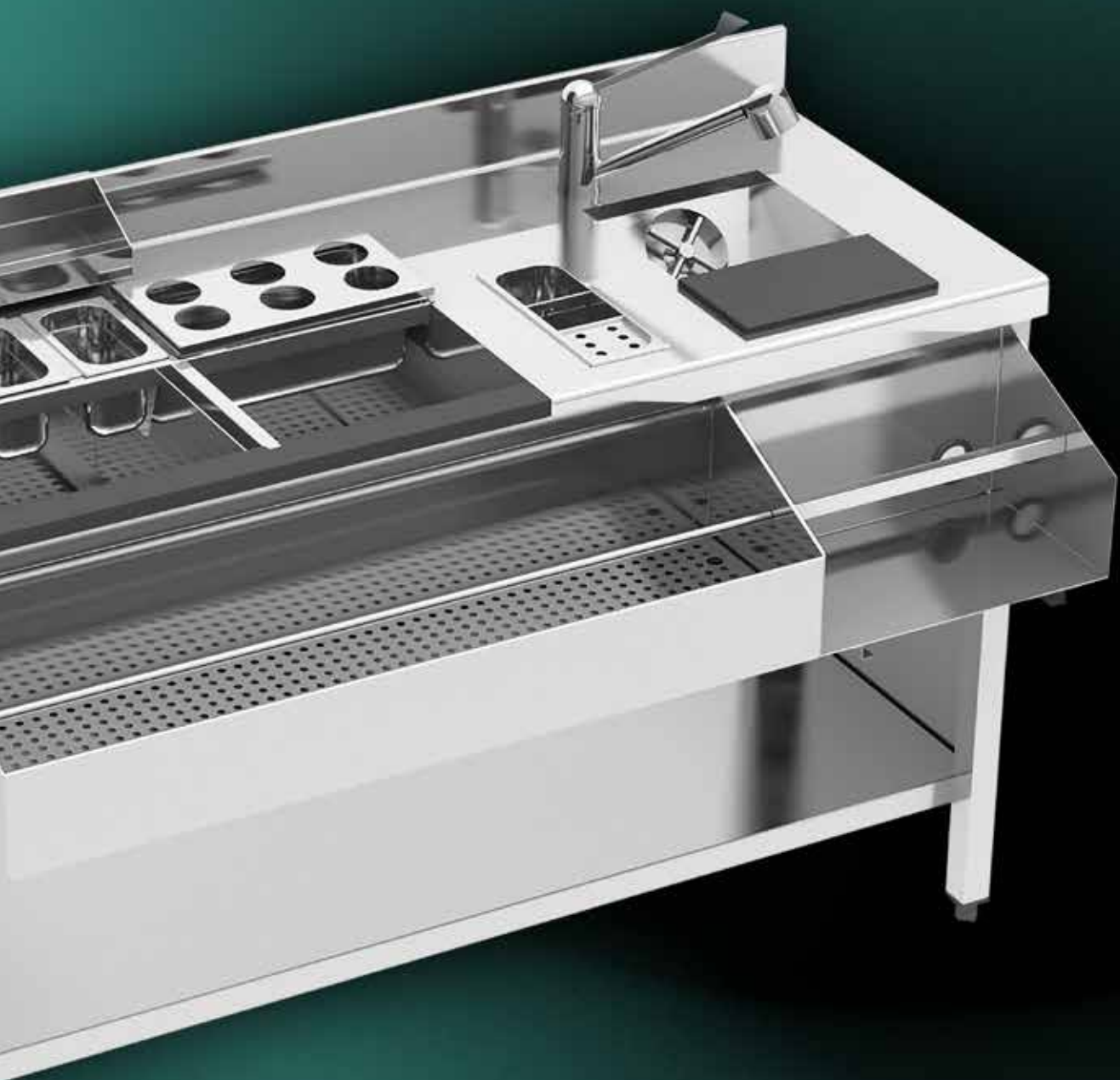


No	MODEL	CODE	DESCRIPTION	DIMENSIONS (mm)	QUANTITY
1	MTTC-1326	19094809	Double central flat worktop	2.600x1.300	1
2	TMS1-68 SE	19094374	Element with shelves without worktop	800x600x850	1
3	TMD-612 SE	19094450	Elements with sliding doors without worktop	1.200x600x850	1
4	TMDR1-66 SE	19094493	Element with large capacity drawer without worktop	600x600x850	1
5	TMHD-74 SE	19094520	Elements with swing doors without worktop	400x700x850	1
6	TM-710 P SE	19094644	Element with rack module 2x600x400 without worktop	1.000x700x850	1
7	TMH-712 SE	19094658	Hot element without worktop	1.200x700x850	1
8	PF-8	19094822	Plinth	800	1
9	PF-12	19094824	Plinth	1.200	2
10	PF-6	19094821	Plinth	600	1
11	PF-4	19094819	Plinth	400	1
12	PF-10	19094823	Plinth	1.000	1
13	SF-6	19092843	Side plinth	600	2
14	SF-7	19092844	Side plinth	700	2

Wall-mounted corner composition with integrated hot element:



No	MODEL	CODE	DESCRIPTION	DIMENSIONS (mm)	QUANTITY
1	MTTW-723	19094966	Wall-mounted flat worktop	2.300x700x850	1
	R	0209-0006	One (1) custom hole		1
2	TMD-712 SE	19094474	Elements with sliding doors without worktop	1.200x700x850	1
3	TMD-R-76 SE	19094620	Waste collection elements without worktop	600x700x850	1
4	TM90W-7 R	19094623	Closed corner elements - right worktop	1.200x700x850	1
5	TMWH-720	19094689	Hot element	2.000x700x850	1



Bar elements

Coffee back bar counters.....	499
— Coffee back bar counters	499
— Back bar counters	499
Cocktail stations.....	500
— Accessories.....	502
Options	502

Coffee back bar counters



TFS1-615 WH



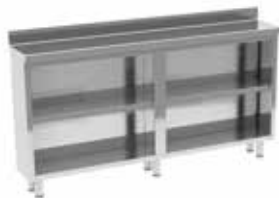
See options

- Specially designed to place a coffee machine. Ideal for coffee shops, bars or restaurants.
- To be complemented with back and refrigerated counters, to set up a bar line adapted to each space and need.
- Removable drawers with telescopic sliding guides.
- Waste hopper to collect coffee grounds, with a rubber stopper that absorbs noise when using.
- Back in stainless steel, partially open for coffee machine installation.
- Worktop made from AISI-304 18/10 stainless steel with satin finish and reinforced with profiles.
- Backsplash of 100 x 15 mm, 50 mm front edge with welded corners.
- **Supplied assembled.**

DIMENSIONS (mm)	HOPPER POSITION	MODEL	NO HOLE ON WORKTOP	€	MODEL	€	MODEL	€	
					WITH HOLE ON WORKTOP		WITHOUT WORKTOP		
1000x600x1050	Right	TFS1-610 R	19094266	-	TFS1-610 R WH	19094267	TFS1-610 R SE	19094268	-
1000x600x1050	Left	TFS1-610 L	19094269	-	TFS1-610 L WH	19094270	TFS1-610 L SE	19094271	-
1500x600x1050	Center	TFS1-615	19094272	-	TFS1-615 WH	19094273	TFS1-615 SE	19094274	-
2000x600x1050	Center	TFS1-620	19094275	-	TFS1-620 WH	19094276	TFS1-620 SE	19094277	-
2500x600x1050	Center	TFS1-625	19094278	-	TFS1-625 WH	19094279	TFS1-625 SE	19094280	-

Back bar counters

 Option customization in length



TBBS1-315



See options

- Specially designed to store small machinery, kitchenware, bar accessories, etc. Ideal for coffee shops, bars or restaurants.
- To be complemented with coffee and refrigerated back counters, to set up a bar line adapted to each space and need.
- Worktop made from AISI-304 18/10 stainless steel with satin finish and reinforced with profiles.
- Backsplash of 100 x 15 mm, 50 mm front edge with welded corners.
- **Supplied assembled.**

350 Range

DIMENSIONS (mm)	WITH ONE (1) SHELF				WITH TWO (2) SHELVES			
	WITH WORKTOP		WITHOUT WORKTOP		WITH WORKTOP		WITHOUT WORKTOP	
	TBBS1-3	€	TBBS1-3 SE	€	TBBS2-3	€	TBBS2-3 SE	€
1.000x350x1.050	19094281	-	19094285	-	19094289	-	19094293	-
1.500x350x1.050	19094282	-	19094286	-	19094290	-	19094294	-
2.000x350x1.050	19094283	-	19094287	-	19094291	-	19094295	-
2.500x350x1.050	19094284	-	19094288	-	19094292	-	19094296	-

600 Range

DIMENSIONS (mm)	WITH ONE (1) SHELF				WITH TWO (2) SHELVES			
	WITH WORKTOP		WITHOUT WORKTOP		WITH WORKTOP		WITHOUT WORKTOP	
	TBBS1-6	€	TBBS1-6 SE	€	TBBS2-6	€	TBBS2-6 SE	€
1.000x600x1.050	19094297	-	19094301	-	19094305	-	19094309	-
1.500x600x1.050	19094298	-	19094302	-	19094306	-	19094310	-
2.000x600x1.050	19094299	-	19094303	-	19094307	-	19094311	-
2.500x600x1.050	19094300	-	19094304	-	19094308	-	19094312	-

Single cocktail stations



CKS1-12 BR1



See options

Table with ice well

- Worktop made from AISI-304 18/10 stainless steel with satin finish.
- Well with thermal insulation and built-in drain.
- Backsplash of 100 x 15 mm, 50 mm front edge with welded corners.
- Square section stainless steel legs 40 x 40 mm.
- Rear legs set back 40 mm for floors with sanitary radius.
- Model with reinforcement frame: three (3) crossbars, two (2) at the sides and one (1) at the rear, as lower part element reinforcement. There is the possibility of placing the crossbar in a central position.
- Model with shelf: shelf made from stainless steel with satin finish and reinforcements in profile. Shelf assembly done by fixing four (4) screws.
- 900 mm height with stainless steel height-adjustable feet (-10 mm / + 50 mm).
- **Supplied assembled.**

MODEL	CODE	DIMENSIONS (mm)	TYPE	SPEED RAIL	BLENDER HOLDER	€
CKLR-12 BR1	19094866	1.200x610x900	Reinforcement frame	Single	No	-
CKS1-12 BR1	19094867	1.200x610x900	With shelf	Single	No	-

Table with ice well and sink



CKS1-S-12 BR2 BS

- Worktop made from AISI-304 18/10 stainless steel with satin finish.
- Well with thermal insulation and built-in drain.
- 275x250x150 mm sink with built-in drain.
- Single lever mixer faucet included.
- Backsplash of 100 x 15 mm, 50 mm front edge with welded corners.
- Square section stainless steel legs 40 x 40 mm.
- Rear legs set back 40 mm for floors with sanitary radius.
- Model with reinforcement frame: three (3) crossbars, two (2) at the sides and one (1) at the rear, as lower part element reinforcement. There is the possibility of placing the crossbar in a central position.
- Model with shelf: shelf made from stainless steel with satin finish and reinforcements in profile. Shelf assembly done by fixing four (4) screws.
- 900 mm height with stainless steel height-adjustable feet (-10 mm / + 50 mm).
- **Supplied assembled.**

MODEL	CODE	DIMENSIONS (mm)	TYPE	SPEED RAIL	BLENDER HOLDER	€
CKLR-S-12 BR1	19094869	1.200x610x900	Reinforcement frame	Single	No	-
CKS1-S-12 BR1	19094870	1.200x610x900	With shelf	Single	No	-
CKLR-S-12 BR1 BS	19107493	1.200x720x900	Reinforcement frame	Single	Yes	-
CKS1-S-12 BR1 BS	19107490	1.200x720x900	With shelf	Single	Yes	-
CKLR-S-12 BR2 BS	19094872	1.200x720x900	Reinforcement frame	Double	Yes	-
CKS1-S-12 BR2 BS	19094871	1.200x720x900	With shelf	Double	Yes	-
CKLR-S-15 BR1 BS	19107495	1.500x720x900	Reinforcement frame	Single	Yes	-
CKS1-S-15 BR1 BS	19107494	1.500x720x900	With shelf	Single	Yes	-
CKLR-S-15 BR2 BS	19094874	1.500x720x900	Reinforcement frame	Double	Yes	-
CKS1-S-15 BR2 BS	19094873	1.500x720x900	With shelf	Double	Yes	-



CKM-S-DW-15 BR2 BS

Element with ice well and sink

- Worktop made from AISI-304 18/10 stainless steel with satin finish.
- Well with thermal insulation and built-in drain.
- 275x250x150 mm sink with built-in drain.
- Single lever mixer faucet included.
- Backsplash of 100 x 15 mm, 50 mm front edge with welded corners.
- Element with closed structure made from stainless steel.
- Lower base reinforced with profile to guarantee greater robustness.
- 900 mm height with stainless steel height-adjustable feet (-10 mm / + 50 mm).
- **Supplied assembled.**

MODEL	CODE	DIMENSIONS (mm)	SPEED RAIL	BLENDER HOLDER	DIPPER WELL	€
CKM-S-DW-15 BR2 BS	19094878	1.500x720x900	Double	Yes	Yes	-

Element with ice well, sink and refrigerated reserve



CKRF-S-DW-15 BR2 BS

- Worktop made from AISI-304 18/10 stainless steel with satin finish.
- Well with thermal insulation and built-in drain.
- 275x250x150 mm sink with built-in drain.
- Single lever mixer faucet included.
- Backsplash of 100 x 15 mm, 50 mm front edge with welded corners.
- Rear legs set back 40 mm for floors with sanitary radius.
- Refrigerated reserve with drawers at the bottom, designed to store bottles.
- Stainless steel removable refrigerated drawers, with telescopic sliding guides and self-closing system.
- Rod modular system allowing an optimal organization of bottles in drawers.
- High-density (40 kg/m³), CFC-free, ecological polyurethane insulation.
- Removable pull-out/push-in magnetic gasket to keep maximum hygiene and maintain the insulating properties.
- Easy-to-extract condensing unit included.
- Evaporation system of defrost water with evaporation pan.
- Electrical components in a single, easy-to-access point to enable maintenance operations.
- Stainless steel ventilation grills on the customer side.
- Forced draft evaporator.
- Electronic thermostat, with digital display, to control and regulate the temperature of the refrigerated reserve.
- Working temperature (in climate Class IV conditions): from +0 °C to +4 °C
- **Supplied assembled.**

MODEL	REFRIGERANT GAS	HZ	CODE	DIMENSIONS (mm)	SPEED RAIL	BLENDER HOLDER	DIPPER WELL	POWER (W)	€
CKRF-S-15 BR2 BS	R290	50/60	19094877	1.500x720x900	Double	Yes	No	255	-
CKRF-S-DW-15 BR2 BS	R290	50/60	19094879	1.500x720x900	Double	Yes	Yes	255	-

Accessories



Jigger shelf

- Specially designed to store jiggers. It can be hung from the backsplash or from the cocktail station well.

MODEL	CODE	€
SS-3	19092975	-

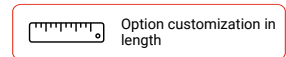


Bottle support

- Specially designed to store bottles inside a GN 1/3 pan (not included).

MODEL	CODE	€
SB-13	19092976	-

Options



Option customization in length

Indicate the code and price of the next higher model and the desired length.

Option 1.5 mm thickness worktop.

ABBREVIATION	CODE	DIMENSIONS (mm)	€
1,5	0204-0001	Up to 1.200 mm	-
1,5	0204-0002	Up to 2.000 mm	-
1,5	0204-0003	Up to 2.800 mm	-

Note: applies to back bar elements.

Option side splash folded and welded to the worktop.

ABBREVIATION	CODE	SIDE	€
SPR	0207-0001	Right	-
SPL	0207-0002	Left	-
SPRL	0207-0003	Right + left	-

Note: applies to back bar elements.

Option stainless steel reinforcements with profile.

DIMENSIONS (mm)	ABBREVIATION ONE (1) SHELF	CODE	€	ABBREVIATION WORKTOP AND ONE (1) SHELF	CODE	€
Up to 1.200 mm	SS	0205-0006	-	STS	0205-0011	-
Up to 1.600 mm	SS	0205-0007	-	STS	0205-0012	-
Up to 2.000 mm	SS	0205-0008	-	STS	0205-0013	-
Up to 2.800 mm	SS	0205-0010	-	STS	0205-0015	-



Shelving

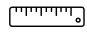
Wall-mounted shelves.....	505
Shelves on racks	508
Polyethylene shelves.....	509

Wall-mounted shelves



Welded flat shelves

- Made from stainless steel fully welded.
- Wall brackets with drills (screws and plugs included).

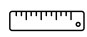
 Option customization in length

MODEL	CODE	DIMENSIONS (mm)	€
SW-26	19094831	600x250x150	-
SW-28	19094832	800x250x150	-
SW-210	19094833	1.000x250x150	-
SW-212	19094834	1.200x250x150	-
SW-214	19094835	1.400x250x150	-
SW-215	19094836	1.500x250x150	-
SW-216	19094837	1.600x250x150	-
SW-218	19094838	1.800x250x150	-
SW-220	19094839	2.000x250x150	-
SW-46	19094840	600x400x250	-
SW-48	19094841	800x400x250	-
SW-410	19094842	1.000x400x250	-
SW-412	19094843	1.200x400x250	-
SW-414	19094844	1.400x400x250	-
SW-415	19094845	1.500x400x250	-
SW-416	19094846	1.600x400x250	-
SW-418	19094847	1.800x400x250	-
SW-420	19094848	2.000x400x250	-



Flat shelves with brackets

- Made from stainless steel.
- Wall brackets with drills (screws and plugs included).
- Quick and easy assembly.

 Option customization in length

MODEL	CODE	DIMENSIONS (mm)	€
SWD-36	19094857	600x300x200	-
SWD-38	19094858	800x300x200	-
SWD-310	19094859	1.000x300x200	-
SWD-312	19094860	1.200x300x200	-
SWD-314	19094861	1.400x300x200	-
SWD-315	19094862	1.500x300x200	-
SWD-316	19094863	1.600x300x200	-
SWD-318	19094864	1.800x300x200	-
SWD-320	19094865	2.000x300x200	-

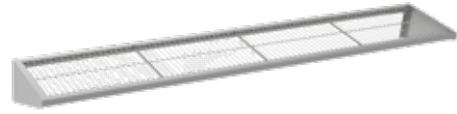
Dish drainer shelves



- Made from stainless steel fully welded.
- Removable stainless steel grills for easy cleaning.
- Wall brackets with drills (screws and plugs included).
- For plates with a maximum diameter of 250 mm.

MODEL	CODE	DIMENSIONS (mm)	€
SD-37	19092876	780x300x200	-
SD-314	19092877	1.535x300x200	-

Extraction hood shelves



- Made from stainless steel fully welded.
- Removable GN 1/1 stainless steel grills for easy cleaning.
- Wall brackets with drills (screws and plugs included).

MODEL	CODE	DIMENSIONS (mm)	€
SH-45	19092878	595x390x200	-
SH-411	19092879	1.125x390x200	-
SH-416	19092880	1.655x390x200	-
SH-421	19092881	2.185x390x200	-

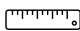
Microwave shelves



- Specially designed to place a microwave oven or other small appliances.
- Made from stainless steel.
- Wall brackets with drills (screws and plugs included).
- Ø60 mm cable gland hole.
- Quick and easy assembly.
- Supplied disassembled.

MODEL	CODE	DIMENSIONS (mm)	€
SMW-46	19092882	600x400x230	-
SMW-57	19092883	700x550x280	-
SMW-48	19092884	800x400x230	-

Tube shelves

 Option customization in length



- Made from stainless steel fully welded.
- Wall brackets with drills (screws and plugs included).
- The 1800 and 2000mm long models have a welded center bracket.

MODEL	CODE	DIMENSIONS (mm)	€
SP-46	19094849	600x400x250	-
SP-48	19094850	800x400x250	-
SP-410	19094851	1.000x400x250	-
SP-412	19094852	1.200x400x250	-
SP-414	19094853	1.400x400x250	-
SP-416	19094854	1.600x400x250	-
SP-418	19094855	1.800x400x250	-
SP-420	19094856	2.000x400x250	-

Dishwashing basket tilted shelves



- Made from stainless steel fully welded.
- Wall brackets with drills (screws and plugs included).
- Ø16 mm drain.

MODEL	CODE	DIMENSIONS (mm)	€
SWW-511	19092901	1.100x505x231	-
SWW-516	19092902	1.600x505x231	-

Wall-mounted shelves on racks

- Made from stainless steel.



Vertical rack

MODEL	CODE	DIMENSIONS (mm)	€/UNIT
SAS-6	19092885	600	-
SAS-10	19092886	1.000	-
SAS-15	19092887	1.500	-

Flat shelf

MODEL	CODE	DIMENSIONS (mm)	€
SPF-210	19092888	1.000x250	-
SPF-212	19092889	1.200x250	-
SPF-214	19092890	1.400x250	-
SPF-216	19092891	1.600x250	-
SPF-410	19092892	1.000x400	-
SPF-412	19092893	1.200x400	-
SPF-414	19092894	1.400x400	-
SPF-416	19092895	1.600x400	-

Tilted shelf

MODEL	CODE	DIMENSIONS (mm)	No PANS	PANS SIZE	€
SI-210	19092896	1.000x250	4	GN 1/6	-
SI-410	19092897	1.000x400	4	GN 1/3	-



Hanging bar

- Made from stainless steel fully welded.
- Welded plates with drills (screws and plugs included).
- Ø30 mm tube.

MODEL	CODE	DIMENSIONS (mm)	€
UH-10	19092898	1.000x150	-
UH-15	19092899	1.500x150	-
UH-20	19092900	2.000x150	-

Shelves on racks



On racks

- Made from stainless steel.
- Height of the shelves adjustable every 150 mm.

MODEL	CODE	DIMENSIONS (mm)	€/ SET 4 FEET
SF-17	19092935	1.700	-
SF-20	19092936	2.000	-



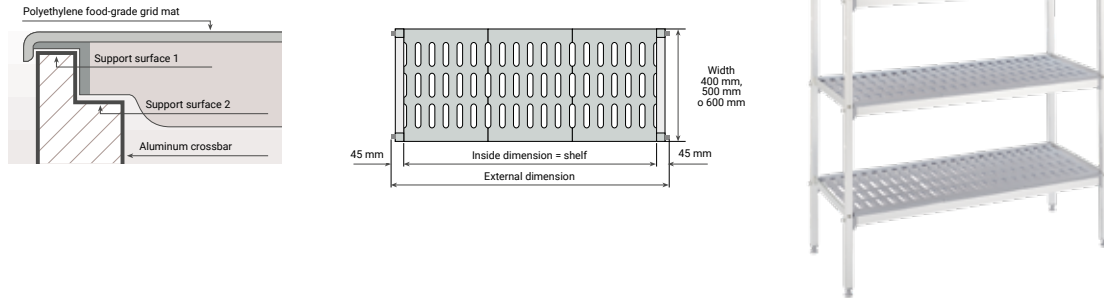
Stainless steel flat shelves

- Made from stainless steel.
- Shelves fixed to the racks using tools included.

DIMENSIONS (mm)	1 mm THICKNESS						1.5 mm THICKNESS					
	WITHOUT REINFORCEMENT		€	WITH REINFORCEMENT		€	WITHOUT REINFORCEMENT		€	WITH REINFORCEMENT		€
	SS10	MAXIMUM LOAD (KG)/ SHELF		SS10R	MAXIMUM LOAD (KG)/ SHELF		SS15	MAXIMUM LOAD (KG)/ SHELF		SS15R	MAXIMUM LOAD (KG)/ SHELF	
800x400	19092903	210	-	19092911	260	-	19092919	280	-	19092927	330	-
1.000x400	19092904	160	-	19092912	210	-	19092920	230	-	19092928	280	-
1.200x400	19092905	110	-	19092913	160	-	19092921	130	-	19092929	180	-
1.400x400	19092906	85	-	19092914	135	-	19092922	105	-	19092930	155	-
800x500	19092907	205	-	19092915	255	-	19092923	280	-	19092931	330	-
1.000x500	19092908	155	-	19092916	205	-	19092924	230	-	19092932	280	-
1.200x500	19092909	105	-	19092917	155	-	19092925	130	-	19092933	180	-
1.400x500	19092910	80	-	19092918	130	-	19092926	105	-	19092934	155	-



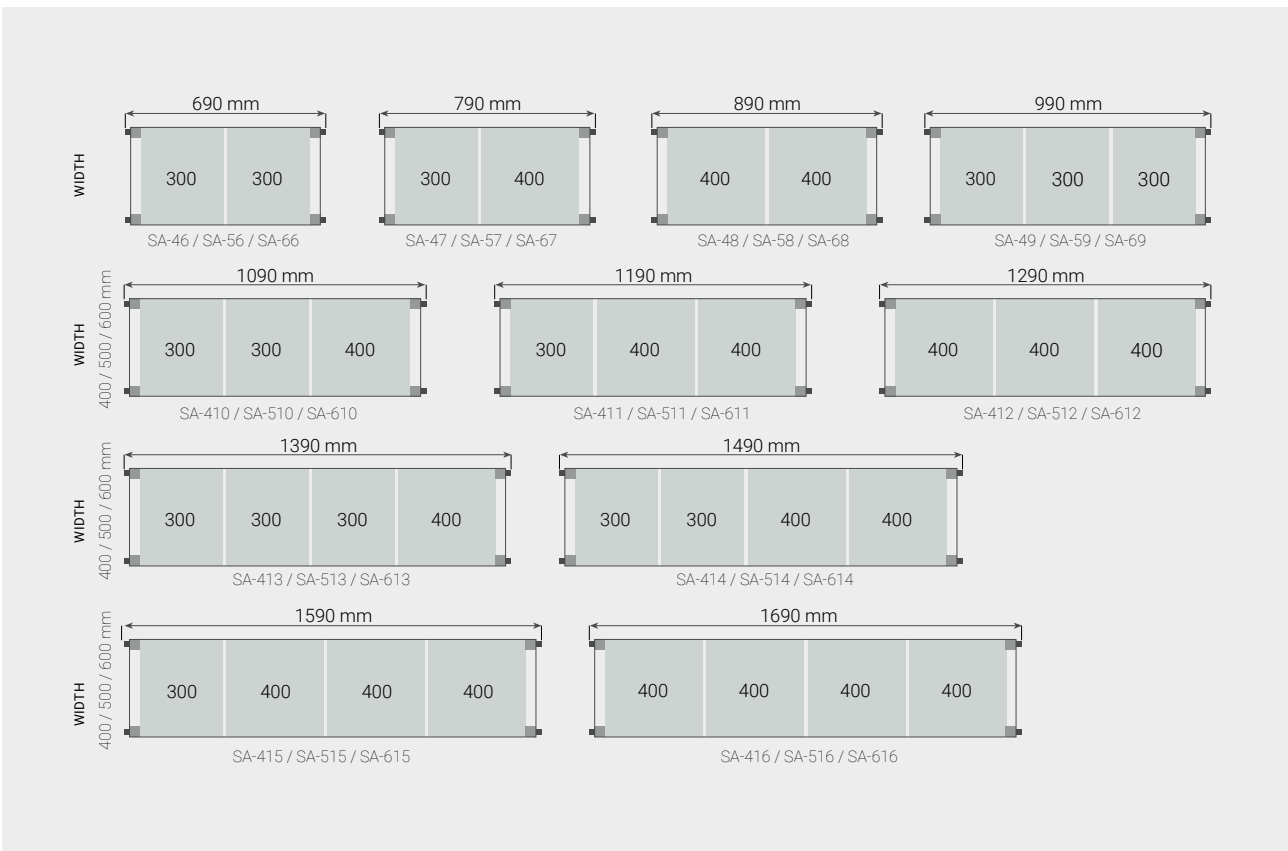
Polyethylene shelves



- Shelving with structure in anodized aluminum and polyethylene food-grade grid mats specially designed to be used in cold rooms.
- Polyethylene shelf plates are supported on two edges of the aluminum upright, for a perfect placement and greater solidity.

- Width options in shelf plates: 400, 500 and 600 mm.
- Standard height of uprights is 1.750 mm. 2.000 are also available for non-standard applications.

External dimensions of independent shelving units, including an upright on each side.



The 11 different lengths of the shelves allow, in addition to independent mounting with 2 uprights, multiple combinations by placing shelves on both sides of the uprights. See set tables.

Aluminum and polyethylene shelves



- Food-grade aluminum and polyethylene shelf specially designed to be used in cold rooms, in accordance with sanitary requirements.
- Supported on the aluminum upright by two edges,
- Grid mats and crossbars included.
- Easily removable. Can be washed in a conventional dishwasher.
- for a perfect placement and greater solidity.

Width 400 mm

MODEL	CODE	DIMENSIONS (mm)	€
SA-46	19091192	600x400	-
SA-47	19091196	700x400	-
SA-48	19091197	800x400	-
SA-49	19091198	900x400	-
SA-410	19091199	1.000x400	-
SA-411	19091350	1.100x400	-
SA-412	19091351	1.200x400	-
SA-413	19091352	1.300x400	-
SA-414	19091353	1.400x400	-
SA-415	19091354	1.500x400	-
SA-416	19091355	1.600x400	-

Width 500 mm

MODEL	CODE	DIMENSIONS (mm)	€
SA-56	19091356	600x500	-
SA-57	19091358	700x500	-
SA-58	19091359	800x500	-
SA-59	19091360	900x500	-
SA-510	19091361	1.000x500	-
SA-511	19091362	1.100x500	-
SA-512	19091363	1.200x500	-
SA-513	19091365	1.300x500	-
SA-514	19091366	1.400x500	-
SA-515	19091367	1.500x500	-
SA-516	19091368	1.600x500	-

Width 600 mm

MODEL	CODE	DIMENSIONS (mm)	€
SA-66	19106115	600x600	-
SA-67	19106116	700x600	-
SA-68	19106117	800x600	-
SA-69	19106118	900x600	-
SA-610	19106119	1.000x600	-
SA-611	19106160	1.100x600	-
SA-612	19106161	1.200x600	-
SA-613	19106162	1.300x600	-
SA-614	19106163	1.400x600	-
SA-615	19106164	1.500x600	-
SA-616	19106165	1.600x600	-

Aluminum shelving uprights

- Made from anodized aluminum.
- Holes every 150 mm, to modify the size of standard models or increase the number of shelves
- by means of pins (4 per shelf).
- Height-adjustable feet to overcome unevenness on the floors.
- Pins included.



MODEL	CODE	DIMENSIONS (mm)	LEVELS	€
WIDTH 400 mm				
AF17-43	19091369	1.750x400	3	-
AF17-44	19091370	1.750x400	4	-
AF17-45	19091371	1.750x400	5	-
AF20-45	19091372	2.000x400	5	-
AF20-46	19091373	2.000x400	6	-
WIDTH 500 mm				
AF17-53	19091374	1.750x500	3	-
AF17-54	19091375	1.750x500	4	-
AF17-55	19091376	1.750x500	5	-
AF20-55	19091377	2.000x500	5	-
AF20-56	19091378	2.000x500	6	-
WIDTH 600 mm				
AF17-63	19106166	1.750x600	3	-
AF17-64	19106167	1.750x600	4	-
AF17-65	19106168	1.750x600	5	-
AF20-65	19106169	2.000x600	5	-
AF20-66	19106170	2.000x600	6	-

Mobile shelving uprights

- Two (2) Ø125 mm stainless polyamide castors, one (1) with brake. To build a mobile shelving, apart from the shelves, two (2) mobile uprights are needed.
- Uprights included only. Shelves must be ordered separately.



MODEL	CODE	DIMENSIONS (mm)	LEVELS	€
WIDTH 400 mm				
KMA17-44	19091380	1.750x400	4	-
KMA17-45	19091381	1.750x400	5	-
WIDTH 500 mm				
KMA17-54	19091382	1.750x500	4	-
KMA17-55	19091383	1.750x500	5	-
WIDTH 600 mm				
KMA17-64	19106171	1.750x600	4	-
KMA17-65	19106172	1.750x600	5	-



Benches

- Specially designed to store boxes in cold rooms.
- Robust stainless steel structure.

MODEL	CODE	DIMENSIONS (mm)	€
KSA2-1-510	19091391	1.085x500x250	-
KSA2-1-512	19091392	1.285x500x250	-
KSA2-1-516	19091393	1.685x500x250	-



Grid mats

- Food-grade polyethylene grid mat for shelves.
- Easy to install. Can be washed in a conventional dishwasher.
- Complete shelves already include grid mats. Can be supplied as accessories.

MODEL	CODE	DIMENSIONS (mm)	€
SP-43	19091384	300x400	-
SP-44	19091385	400x400	-
SP-53	19091386	300x500	-
SP-54	19091388	400x500	-
SP-63	19106173	300x600	-
SP-64	19106174	400x600	-

Corner hooks

- Designed to make easier the assembly of corner-shaped shelving units. They also save shelving uprights and optimize the available space.
- Two (2) hooks per shelf.
- Price by unit.



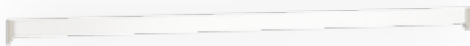
MODEL	CODE	€
HK	19091389	-

Pins

- Designed to expand the number of shelves in standard configurations.
- Supplied as an accessory, since the uprights already include pins for each shelf. Four (4) pins are required per shelf.
- Price by unit.



MODEL	CODE	€
AS	19091390	-



Crossbars

- Supplied as an accessory, since they are included in each shelf.

MODEL	CODE	DIMENSIONS (mm)	€
CA-6	19091394	600	-
CA-7	19091395	700	-
CA-8	19091396	800	-
CA-9	19091397	900	-
CA-10	19091398	1.000	-
CA-11	19091399	1.100	-
CA-12	19091400	1.200	-
CA-13	19091401	1.300	-
CA-14	19091402	1.400	-
CA-15	19091403	1.500	-
CA-16	19091404	1.600	-

Shelving sets calculation

How to order shelving sets

For your convenience, aluminum and polyethylene shelving can be ordered in sets. Below is an indication on how to calculate the required shelving set:

Is it a linear or corner shaped shelving unit?

- Linear shelving have uprights at each end.
- Corner shelving units have a upright at one end and, at the other end, they are supplied with two hooks per shelf, to be supported by the crossbars of another shelving unit.

What is the width of the shelving unit?

- There are two depth measurements: 400 or 500 mm.

How many levels are required?

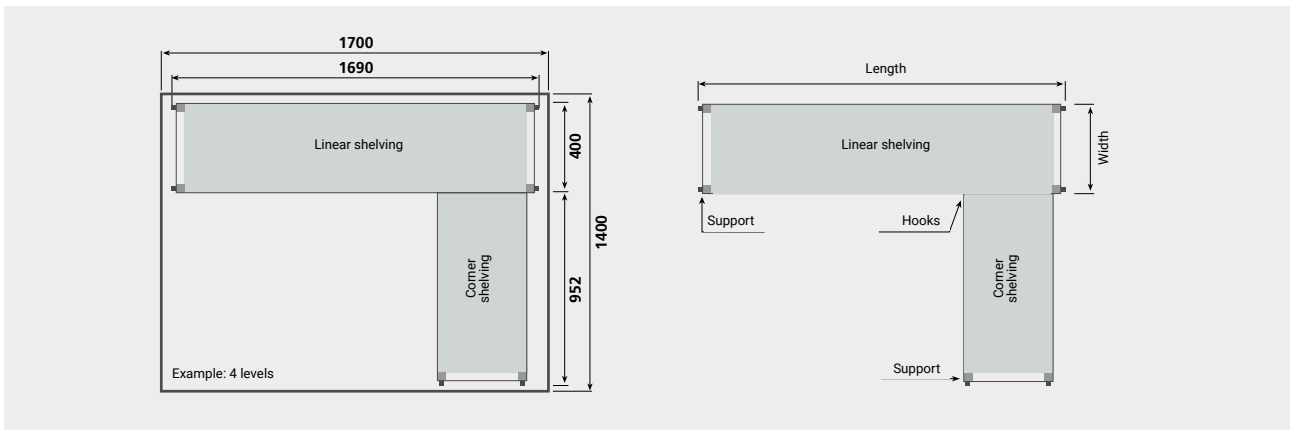
- There are standard sets with 3, 4 or 5 levels.
- Additional levels can be ordered.

What will be the length of the shelving unit?

- In the tables on the following pages you should find the correct set for the measurements of the room where the shelving is to be placed.
- When calculating the length of the corner shelving unit, remember to subtract from the total length the depth of the shelving unit on which it will rest.

In the following example you would have to ask:

- Set number 99 (linear, depth 400 mm, 4 levels, 1.690 mm long).
- Set number 582 (angle, depth 400 mm, 4 levels, 952 mm long).



- Standard height of uprights is 1.750 mm. For other heights, see the breakdown of the chosen set and replace the "AF17" uprights with "AF20" high uprights, adjusting the price of the set according to the prices of the chosen elements.
- Additional shelving levels can be added, up to a maximum total of 11 levels on standard uprights, by ordering required shelves, pins and corner hooks separately.
- Standard uprights type "AF17" can be replaced by mobile uprights "KMA17", when changing prices.

Linear shelving 400 mm

SHELVING TOTAL LENGTH (mm)	3 LEVELS		4 LEVELS		5 LEVELS	
	SET N°	€	SET N°	€	SET N°	€
1.390	17	-	96	-	175	-
1.490	18	-	97	-	176	-
1.590	19	-	98	-	177	-
1.690	20	-	99	-	178	-
1.726	21	-	100	-	179	-
1.826	22	-	101	-	180	-
1.926	23	-	102	-	181	-

Corner shelving 400 mm

SHELVING TOTAL LENGTH (mm)	3 LEVELS		4 LEVELS		5 LEVELS	
	SET N°	€	SET N°	€	SET N°	€
652	500	-	579	-	658	-
752	501	-	580	-	659	-
852	502	-	581	-	660	-
952	503	-	582	-	661	-
1.052	504	-	583	-	662	-
1.152	505	-	584	-	663	-
1.252	506	-	585	-	664	-



Linear shelving 400 mm

Linear shelving 500mm

Linear shelving 600 mm

SHELVING TOTAL LENGTH (mm)	3 LEVELS		4 LEVELS		5 LEVELS		3 LEVELS		4 LEVELS		5 LEVELS		3 LEVELS		4 LEVELS		5 LEVELS	
	SET N°	€	SET N°	€	SET N°	€	SET N°	€	SET N°	€	SET N°	€	SET N°	€	SET N°	€	SET N°	€
690	10	-	89	-	168	-	247	-	326	-	405	-	1.010	-	1.089	-	1.168	-
790	11	-	90	-	169	-	248	-	327	-	406	-	1.011	-	1.090	-	1.169	-
890	12	-	91	-	170	-	249	-	328	-	407	-	1.012	-	1.091	-	1.170	-
990	13	-	92	-	171	-	250	-	329	-	408	-	1.013	-	1.092	-	1.171	-
1.090	14	-	93	-	172	-	251	-	330	-	409	-	1.014	-	1.093	-	1.172	-
1.190	15	-	94	-	173	-	252	-	331	-	410	-	1.015	-	1.094	-	1.173	-
1.290	16	-	95	-	174	-	253	-	332	-	411	-	1.016	-	1.095	-	1.174	-
1.390	17	-	96	-	175	-	254	-	333	-	412	-	1.017	-	1.096	-	1.175	-
1.490	18	-	97	-	176	-	255	-	334	-	413	-	1.018	-	1.097	-	1.176	-
1.590	19	-	98	-	177	-	256	-	335	-	414	-	1.019	-	1.098	-	1.177	-
1.690	20	-	99	-	178	-	257	-	336	-	415	-	1.020	-	1.099	-	1.178	-
1.726	21	-	100	-	179	-	258	-	337	-	416	-	1.021	-	1.000	-	1.179	-
1.826	22	-	101	-	180	-	259	-	338	-	417	-	1.022	-	1.101	-	1.180	-
1.926	23	-	102	-	181	-	260	-	339	-	418	-	1.023	-	1.102	-	1.181	-
2.026	24	-	103	-	182	-	261	-	340	-	419	-	1.024	-	1.103	-	1.182	-
2.126	25	-	104	-	183	-	262	-	341	-	420	-	1.025	-	1.104	-	1.183	-
2.226	26	-	105	-	184	-	263	-	342	-	421	-	1.026	-	1.105	-	1.184	-
2.326	27	-	106	-	185	-	264	-	343	-	422	-	1.027	-	1.106	-	1.185	-
2.426	28	-	107	-	186	-	265	-	344	-	423	-	1.028	-	1.107	-	1.186	-
2.526	29	-	108	-	187	-	266	-	345	-	424	-	1.029	-	1.108	-	1.187	-
2.626	30	-	109	-	188	-	267	-	346	-	425	-	1.030	-	1.109	-	1.188	-
2.726	31	-	110	-	189	-	268	-	347	-	426	-	1.031	-	1.110	-	1.189	-
2.826	32	-	111	-	190	-	269	-	348	-	427	-	1.032	-	1.111	-	1.190	-
2.926	33	-	112	-	191	-	270	-	349	-	428	-	1.033	-	1.112	-	1.191	-
3.026	34	-	113	-	192	-	271	-	350	-	429	-	1.034	-	1.113	-	1.192	-
3.126	35	-	114	-	193	-	272	-	351	-	430	-	1.035	-	1.114	-	1.193	-
3.226	36	-	115	-	194	-	273	-	352	-	431	-	1.036	-	1.115	-	1.194	-
3.326	37	-	116	-	195	-	274	-	353	-	432	-	1.037	-	1.116	-	1.195	-
3.362	38	-	117	-	196	-	275	-	354	-	433	-	1.038	-	1.117	-	1.196	-
3.462	39	-	118	-	197	-	276	-	355	-	434	-	1.039	-	1.118	-	1.197	-
3.562	40	-	119	-	198	-	277	-	356	-	435	-	1.040	-	1.119	-	1.198	-
3.662	41	-	120	-	199	-	278	-	357	-	436	-	1.041	-	1.120	-	1.199	-
3.762	42	-	121	-	200	-	279	-	358	-	437	-	1.042	-	1.121	-	1.200	-
3.862	43	-	122	-	201	-	280	-	359	-	438	-	1.043	-	1.122	-	1.201	-
3.962	44	-	123	-	202	-	281	-	360	-	439	-	1.044	-	1.123	-	1.202	-
4.062	45	-	124	-	203	-	282	-	361	-	440	-	1.045	-	1.124	-	1.203	-
4.162	46	-	125	-	204	-	283	-	362	-	441	-	1.046	-	1.125	-	1.204	-
4.262	47	-	126	-	205	-	284	-	363	-	442	-	1.047	-	1.126	-	1.205	-
4.362	48	-	127	-	206	-	285	-	364	-	443	-	1.048	-	1.127	-	1.206	-
4.462	49	-	128	-	207	-	286	-	365	-	444	-	1.049	-	1.128	-	1.207	-
4.562	50	-	129	-	208	-	287	-	366	-	445	-	1.050	-	1.129	-	1.208	-
4.662	51	-	130	-	209	-	288	-	367	-	446	-	1.051	-	1.130	-	1.209	-
4.762	52	-	131	-	210	-	289	-	368	-	447	-	1.052	-	1.131	-	1.210	-
4.862	53	-	132	-	211	-	290	-	369	-	448	-	1.053	-	1.132	-	1.211	-
4.962	54	-	133	-	212	-	291	-	370	-	449	-	1.054	-	1.133	-	1.212	-
4.998	55	-	134	-	213	-	292	-	371	-	450	-	1.055	-	1.134	-	1.213	-
5.098	56	-	135	-	214	-	293	-	372	-	451	-	1.056	-	1.135	-	1.214	-
5.198	57	-	136	-	215	-	294	-	373	-	452	-	1.057	-	1.136	-	1.215	-
5.298	58	-	137	-	216	-	295	-	374	-	453	-	1.058	-	1.137	-	1.216	-
5.398	59	-	138	-	217	-	296	-	375	-	454	-	1.059	-	1.138	-	1.217	-
5.498	60	-	139	-	218	-	297	-	376	-	455	-	1.060	-	1.139	-	1.218	-
5.598	61	-	140	-	219	-	298	-	377	-	456	-	1.061	-	1.140	-	1.219	-
5.698	62	-	141	-	220	-	299	-	378	-	457	-	1.062	-	1.141	-	1.220	-
5.798	63	-	142	-	221	-	300	-	379	-	458	-	1.063	-	1.142	-	1.221	-



Corner shelving 400 mm

Corner shelving 500 mm

Corner shelving 600 mm

SHELVING TOTAL LENGTH (mm)	3 LEVELS		4 LEVELS		5 LEVELS		3 LEVELS		4 LEVELS		5 LEVELS		3 LEVELS		4 LEVELS		5 LEVELS	
	SET N°	€	SET N°	€	SET N°	€	SET N°	€	SET N°	€	SET N°	€	SET N°	€	SET N°	€	SET N°	€
652	500	-	579	-	658	-	737	-	816	-	895	-	1.500	-	1.579	-	1.658	-
752	501	-	580	-	659	-	738	-	817	-	896	-	1.501	-	1.580	-	1.659	-
852	502	-	581	-	660	-	739	-	818	-	897	-	1.502	-	1.581	-	1.660	-
952	503	-	582	-	661	-	740	-	819	-	898	-	1.503	-	1.582	-	1.661	-
1.052	504	-	583	-	662	-	741	-	820	-	899	-	1.504	-	1.583	-	1.662	-
1.152	505	-	584	-	663	-	742	-	821	-	900	-	1.505	-	1.584	-	1.663	-
1.252	506	-	585	-	664	-	743	-	822	-	901	-	1.506	-	1.585	-	1.664	-
1.352	507	-	586	-	665	-	744	-	823	-	902	-	1.507	-	1.586	-	1.665	-
1.452	508	-	587	-	666	-	745	-	824	-	903	-	1.508	-	1.587	-	1.666	-
1.552	509	-	588	-	667	-	746	-	825	-	904	-	1.509	-	1.588	-	1.667	-
1.652	510	-	589	-	668	-	747	-	826	-	905	-	1.510	-	1.589	-	1.668	-
1.688	511	-	590	-	669	-	748	-	827	-	906	-	1.511	-	1.590	-	1.669	-
1.788	512	-	591	-	670	-	749	-	828	-	907	-	1.512	-	1.591	-	1.670	-
1.888	513	-	592	-	671	-	750	-	829	-	908	-	1.513	-	1.592	-	1.671	-
1.988	514	-	593	-	672	-	751	-	830	-	909	-	1.514	-	1.593	-	1.672	-
2.088	515	-	594	-	673	-	752	-	831	-	910	-	1.515	-	1.594	-	1.673	-
2.188	516	-	595	-	674	-	753	-	832	-	911	-	1.516	-	1.595	-	1.674	-
2.288	517	-	596	-	675	-	754	-	833	-	912	-	1.517	-	1.596	-	1.675	-
2.388	518	-	597	-	676	-	755	-	834	-	913	-	1.518	-	1.597	-	1.676	-
2.488	519	-	598	-	677	-	756	-	835	-	914	-	1.519	-	1.598	-	1.677	-
2.588	520	-	599	-	678	-	757	-	836	-	915	-	1.520	-	1.599	-	1.678	-
2.688	521	-	600	-	679	-	758	-	837	-	916	-	1.521	-	1.600	-	1.679	-
2.788	522	-	601	-	680	-	759	-	838	-	917	-	1.522	-	1.601	-	1.680	-
2.888	523	-	602	-	681	-	760	-	839	-	918	-	1.523	-	1.602	-	1.681	-
2.988	524	-	603	-	682	-	761	-	840	-	919	-	1.524	-	1.603	-	1.682	-
3.088	525	-	604	-	683	-	762	-	841	-	920	-	1.525	-	1.604	-	1.683	-
3.188	526	-	605	-	684	-	763	-	842	-	921	-	1.526	-	1.605	-	1.684	-
3.288	527	-	606	-	685	-	764	-	843	-	922	-	1.527	-	1.606	-	1.685	-
3.324	528	-	607	-	686	-	765	-	844	-	923	-	1.528	-	1.607	-	1.686	-
3.424	529	-	608	-	687	-	766	-	845	-	924	-	1.529	-	1.608	-	1.687	-
3.524	530	-	609	-	688	-	767	-	846	-	925	-	1.530	-	1.609	-	1.688	-
3.624	531	-	610	-	689	-	768	-	847	-	926	-	1.531	-	1.610	-	1.689	-
3.724	532	-	611	-	690	-	769	-	848	-	927	-	1.532	-	1.611	-	1.690	-
3.824	533	-	612	-	691	-	770	-	849	-	928	-	1.533	-	1.612	-	1.691	-
3.924	534	-	613	-	692	-	771	-	850	-	929	-	1.534	-	1.613	-	1.692	-
4.024	535	-	614	-	693	-	772	-	851	-	930	-	1.535	-	1.614	-	1.693	-
4.124	536	-	615	-	694	-	773	-	852	-	931	-	1.536	-	1.615	-	1.694	-
4.224	537	-	616	-	695	-	774	-	853	-	932	-	1.537	-	1.616	-	1.695	-
4.324	538	-	617	-	696	-	775	-	854	-	933	-	1.538	-	1.617	-	1.696	-
4.424	539	-	618	-	697	-	776	-	855	-	934	-	1.539	-	1.618	-	1.697	-
4.524	540	-	619	-	698	-	777	-	856	-	935	-	1.540	-	1.619	-	1.698	-
4.624	541	-	620	-	699	-	778	-	857	-	936	-	1.541	-	1.620	-	1.699	-
4.724	542	-	621	-	700	-	779	-	858	-	937	-	1.542	-	1.621	-	1.700	-
4.824	543	-	622	-	701	-	780	-	859	-	938	-	1.543	-	1.622	-	1.701	-
4.924	544	-	623	-	702	-	781	-	860	-	939	-	1.544	-	1.623	-	1.702	-
4.960	545	-	624	-	703	-	782	-	861	-	940	-	1.545	-	1.624	-	1.703	-
5.060	546	-	625	-	704	-	783	-	862	-	941	-	1.546	-	1.625	-	1.704	-
5.160	547	-	626	-	705	-	784	-	863	-	942	-	1.547	-	1.626	-	1.705	-
5.260	548	-	627	-	706	-	785	-	864	-	943	-	1.548	-	1.627	-	1.706	-
5.360	549	-	628	-	707	-	786	-	865	-	944	-	1.549	-	1.628	-	1.707	-
5.460	550	-	629	-	708	-	787	-	866	-	945	-	1.550	-	1.629	-	1.708	-
5.569	551	-	630	-	709	-	788	-	867	-	946	-	1.551	-	1.630	-	1.709	-
5.660	552	-	631	-	710	-	789	-	868	-	947	-	1.552	-	1.631	-	1.710	-
5.760	553	-	632	-	711	-	790	-	869	-	948	-	1.553	-	1.632	-	1.711	-

Linear shelving 400 mm

3 LEVELS		4 LEVELS		5 LEVELS	
SET N°	SHELVING ITEMS BREAKDOWN	SET N°	SHELVING ITEMS BREAKDOWN	SET N°	SHELVING ITEMS BREAKDOWN
10	2 AF17-43 + 3 SA-46	89	2 AF17-44 + 4 SA-46	168	2 AF17-45 + 5 SA-46
11	2 AF17-43 + 3 SA-47	90	2 AF17-44 + 4 SA-47	169	2 AF17-45 + 5 SA-47
12	2 AF17-43 + 3 SA-48	91	2 AF17-44 + 4 SA-48	170	2 AF17-45 + 5 SA-48
13	2 AF17-43 + 3 SA-49	92	2 AF17-44 + 4 SA-49	171	2 AF17-45 + 5 SA-49
14	2 AF17-43 + 3 SA-410	93	2 AF17-44 + 4 SA-410	172	2 AF17-45 + 5 SA-410
15	2 AF17-43 + 3 SA-411	94	2 AF17-44 + 4 SA-411	173	2 AF17-45 + 5 SA-411
16	2 AF17-43 + 3 SA-412	95	2 AF17-44 + 4 SA-412	174	2 AF17-45 + 5 SA-412
17	2 AF17-43 + 3 SA-413	96	2 AF17-44 + 4 SA-413	175	2 AF17-45 + 5 SA-413
18	2 AF17-43 + 3 SA-414	97	2 AF17-44 + 4 SA-414	176	2 AF17-45 + 5 SA-414
19	2 AF17-43 + 3 SA-415	98	2 AF17-44 + 4 SA-415	177	2 AF17-45 + 5 SA-415
20	2 AF17-43 + 3 SA-416	99	2 AF17-44 + 4 SA-416	178	2 AF17-45 + 5 SA-416
21	3 AF17-43 + 6 SA-48	100	3 AF17-44 + 8 SA-48	179	3 AF17-45 + 10 SA-48
22	3 AF17-43 + 3 SA-49 + 3 SA-48	101	3 AF17-44 + 4 SA-49 + 4 SA-48	180	3 AF17-45 + 5 SA-49 + 5 SA-48
23	3 AF17-43 + 6 SA-49	102	3 AF17-44 + 8 SA-49	181	3 AF17-45 + 10 SA-49
24	3 AF17-43 + 3 SA-49 + 3 SA-410	103	3 AF17-44 + 4 SA-49 + 4 SA-410	182	3 AF17-45 + 5 SA-49 + 5 SA-410
25	3 AF17-43 + 6 SA-410	104	3 AF17-44 + 8 SA-410	183	3 AF17-45 + 10 SA-410
26	3 AF17-43 + 3 SA-410 + 3 SA-411	105	3 AF17-44 + 4 SA-410 + 4 SA-411	184	3 AF17-45 + 5 SA-410 + 5 SA-411
27	3 AF17-43 + 6 SA-411	106	3 AF17-44 + 8 SA-411	185	3 AF17-45 + 10 SA-411
28	3 AF17-43 + 3 SA-411 + 3 SA-412	107	3 AF17-44 + 4 SA-411 + 4 SA-412	186	3 AF17-45 + 5 SA-411 + 5 SA-412
29	3 AF17-43 + 6 SA-412	108	3 AF17-44 + 8 SA-412	187	3 AF17-45 + 10 SA-412
30	3 AF17-43 + 3 SA-412 + 3 SA-413	109	3 AF17-44 + 4 SA-412 + 4 SA-413	188	3 AF17-45 + 5 SA-412 + 5 SA-413
31	3 AF17-43 + 6 SA-413	110	3 AF17-44 + 8 SA-413	189	3 AF17-45 + 10 SA-413
32	3 AF17-43 + 3 SA-413 + 3 SA-414	111	3 AF17-44 + 4 SA-413 + 4 SA-414	190	3 AF17-45 + 5 SA-413 + 5 SA-414
33	3 AF17-43 + 6 SA-414	112	3 AF17-44 + 8 SA-414	191	3 AF17-45 + 10 SA-414
34	3 AF17-43 + 3 SA-414 + 3 SA-415	113	3 AF17-44 + 4 SA-414 + 4 SA-415	192	3 AF17-45 + 5 SA-414 + 5 SA-415
35	3 AF17-43 + 6 SA-415	114	3 AF17-44 + 8 SA-415	193	3 AF17-45 + 10 SA-415
36	3 AF17-43 + 3 SA-415 + 3 SA-416	115	3 AF17-44 + 4 SA-415 + 4 SA-416	194	3 AF17-45 + 5 SA-415 + 5 SA-416
37	3 AF17-43 + 6 SA-416	116	3 AF17-44 + 8 SA-416	195	3 AF17-45 + 10 SA-416
38	4 AF17-43 + 3 SA-410 + 6 SA-411	117	4 AF17-44 + 4 SA-410 + 8 SA-411	196	4 AF17-45 + 5 SA-410 + 10 SA-411
39	4 AF17-43 + 9 SA-411	118	4 AF17-44 + 12 SA-411	197	4 AF17-45 + 15 SA-411
40	4 AF17-43 + 6 SA-411 + 3 SA-412	119	4 AF17-44 + 8 SA-411 + 4 SA-412	198	4 AF17-45 + 10 SA-411 + 5 SA-412
41	4 AF17-43 + 3 SA-411 + 6 SA-412	120	4 AF17-44 + 4 SA-411 + 8 SA-412	199	4 AF17-45 + 5 SA-411 + 10 SA-412
42	4 AF17-43 + 9 SA-412	121	4 AF17-44 + 12 SA-412	200	4 AF17-45 + 15 SA-412
43	4 AF17-43 + 6 SA-412 + 3 SA-413	122	4 AF17-44 + 8 SA-412 + 4 SA-413	201	4 AF17-45 + 10 SA-412 + 5 SA-413
44	4 AF17-43 + 3 SA-412 + 6 SA-413	123	4 AF17-44 + 4 SA-412 + 8 SA-413	202	4 AF17-45 + 5 SA-412 + 10 SA-413
45	4 AF17-43 + 9 SA-413	124	4 AF17-44 + 12 SA-413	203	4 AF17-45 + 15 SA-413
46	4 AF17-43 + 6 SA-413 + 3 SA-414	125	4 AF17-44 + 8 SA-413 + 4 SA-414	204	4 AF17-45 + 10 SA-413 + 5 SA-414
47	4 AF17-43 + 3 SA-413 + 6 SA-414	126	4 AF17-44 + 4 SA-413 + 8 SA-414	205	4 AF17-45 + 5 SA-413 + 10 SA-414
48	4 AF17-43 + 9 SA-414	127	4 AF17-44 + 12 SA-414	206	4 AF17-45 + 15 SA-414
49	4 AF17-43 + 6 SA-414 + 3 SA-415	128	4 AF17-44 + 8 SA-414 + 4 SA-415	207	4 AF17-45 + 10 SA-414 + 5 SA-415
50	4 AF17-43 + 3 SA-414 + 6 SA-415	129	4 AF17-44 + 4 SA-414 + 8 SA-415	208	4 AF17-45 + 5 SA-414 + 10 SA-415
51	4 AF17-43 + 9 SA-415	130	4 AF17-44 + 12 SA-415	209	4 AF17-45 + 15 SA-415
52	4 AF17-43 + 6 SA-415 + 3 SA-416	131	4 AF17-44 + 8 SA-415 + 4 SA-416	210	4 AF17-45 + 10 SA-415 + 5 SA-416
53	4 AF17-43 + 3 SA-415 + 6 SA-416	132	4 AF17-44 + 4 SA-415 + 8 SA-416	211	4 AF17-45 + 5 SA-415 + 10 SA-416
54	4 AF17-43 + 9 SA-416	133	4 AF17-44 + 12 SA-416	212	4 AF17-45 + 15 SA-416
55	5 AF17-43 + 12 SA-412	134	5 AF17-44 + 16 SA-412	213	5 AF17-45 + 20 SA-412
56	5 AF17-43 + 9 SA-412 + 3 SA-413	135	5 AF17-44 + 12 SA-412 + 4 SA-413	214	5 AF17-45 + 15 SA-412 + 5 SA-413
57	5 AF17-43 + 6 SA-412 + 6 SA-413	136	5 AF17-44 + 8 SA-412 + 8 SA-413	215	5 AF17-45 + 10 SA-412 + 10 SA-413
58	5 AF17-43 + 3 SA-412 + 9 SA-413	137	5 AF17-44 + 4 SA-412 + 12 SA-413	216	5 AF17-45 + 5 SA-412 + 15 SA-413
59	5 AF17-43 + 12 SA-413	138	5 AF17-44 + 16 SA-413	217	5 AF17-45 + 20 SA-413
60	5 AF17-43 + 9 SA-413 + 3 SA-414	139	5 AF17-44 + 12 SA-413 + 4 SA-414	218	5 AF17-45 + 15 SA-413 + 5 SA-414
61	5 AF17-43 + 6 SA-413 + 6 SA-414	140	5 AF17-44 + 8 SA-413 + 8 SA-414	219	5 AF17-45 + 10 SA-413 + 10 SA-414
62	5 AF17-43 + 3 SA-413 + 9 SA-414	141	5 AF17-44 + 4 SA-413 + 12 SA-414	220	5 AF17-45 + 5 SA-413 + 15 SA-414
63	5 AF17-43 + 12 SA-414	142	5 AF17-44 + 16 SA-414	221	5 AF17-45 + 20 SA-414

Linear shelving 500 mm

3 LEVELS		4 LEVELS		5 LEVELS	
SET N°	SHELVING ITEMS BREAKDOWN	SET N°	SHELVING ITEMS BREAKDOWN	SET N°	SHELVING ITEMS BREAKDOWN
247	2 AF17-53 + 3 SA-56	326	2 AF17-54 + 4 SA-56	405	2 AF17-55 + 5 SA-56
248	2 AF17-53 + 3 SA-57	327	2 AF17-54 + 4 SA-57	406	2 AF17-55 + 5 SA-57
249	2 AF17-53 + 3 SA-58	328	2 AF17-54 + 4 SA-58	407	2 AF17-55 + 5 SA-58
250	2 AF17-53 + 3 SA-59	329	2 AF17-54 + 4 SA-59	408	2 AF17-55 + 5 SA-59
251	2 AF17-53 + 3 SA-510	330	2 AF17-54 + 4 SA-510	409	2 AF17-55 + 5 SA-510
252	2 AF17-53 + 3 SA-511	331	2 AF17-54 + 4 SA-511	410	2 AF17-55 + 5 SA-511
253	2 AF17-53 + 3 SA-512	332	2 AF17-54 + 4 SA-512	411	2 AF17-55 + 5 SA-512
254	2 AF17-53 + 3 SA-513	333	2 AF17-54 + 4 SA-513	412	2 AF17-55 + 5 SA-513
255	2 AF17-53 + 3 SA-514	334	2 AF17-54 + 4 SA-514	413	2 AF17-55 + 5 SA-514
256	2 AF17-53 + 3 SA-515	335	2 AF17-54 + 4 SA-515	414	2 AF17-55 + 5 SA-515
257	2 AF17-53 + 3 SA-516	336	2 AF17-54 + 4 SA-516	415	2 AF17-55 + 5 SA-516
258	3 AF17-53 + 6 SA-58	337	3 AF17-54 + 8 SA-58	416	3 AF17-55 + 10 SA-58
259	3 AF17-53 + 3 SA-59 + 3 SA-58	338	3 AF17-54 + 4 SA-59 + 4 SA-58	417	3 AF17-55 + 5 SA-59 + 5 SA-58
260	3 AF17-53 + 6 SA-59	339	3 AF17-54 + 8 SA-59	418	3 AF17-55 + 10 SA-59
261	3 AF17-53 + 3 SA-59 + 3 SA-510	340	3 AF17-54 + 4 SA-59 + 4 SA-510	419	3 AF17-55 + 5 SA-59 + 5 SA-510
262	3 AF17-53 + 6 SA-510	341	3 AF17-54 + 8 SA-510	420	3 AF17-55 + 10 SA-510
263	3 AF17-53 + 3 SA-510 + 3 SA-511	342	3 AF17-54 + 4 SA-510 + 4 SA-511	421	3 AF17-55 + 5 SA-510 + 5 SA-511
264	3 AF17-53 + 6 SA-511	343	3 AF17-54 + 8 SA-511	422	3 AF17-55 + 10 SA-511
265	3 AF17-53 + 3 SA-511 + 3 SA-512	344	3 AF17-54 + 4 SA-511 + 4 SA-512	423	3 AF17-55 + 5 SA-511 + 5 SA-512
266	3 AF17-53 + 6 SA-512	345	3 AF17-54 + 8 SA-512	424	3 AF17-55 + 10 SA-512
267	3 AF17-53 + 3 SA-512 + 3 SA-513	346	3 AF17-54 + 4 SA-512 + 4 SA-513	425	3 AF17-55 + 5 SA-512 + 5 SA-513
268	3 AF17-53 + 6 SA-513	347	3 AF17-54 + 8 SA-513	426	3 AF17-55 + 10 SA-513
269	3 AF17-53 + 3 SA-513 + 3 SA-514	348	3 AF17-54 + 4 SA-513 + 4 SA-514	427	3 AF17-55 + 5 SA-513 + 5 SA-514
270	3 AF17-53 + 6 SA-514	349	3 AF17-54 + 8 SA-514	428	3 AF17-55 + 10 SA-514
271	3 AF17-53 + 3 SA-514 + 3 SA-515	350	3 AF17-54 + 4 SA-514 + 4 SA-515	429	3 AF17-55 + 5 SA-514 + 5 SA-515
272	3 AF17-53 + 6 SA-515	351	3 AF17-54 + 8 SA-515	430	3 AF17-55 + 10 SA-515
273	3 AF17-53 + 3 SA-515 + 3 SA-516	352	3 AF17-54 + 4 SA-515 + 4 SA-516	431	3 AF17-55 + 5 SA-515 + 5 SA-516
274	3 AF17-53 + 6 SA-516	353	3 AF17-54 + 8 SA-516	432	3 AF17-55 + 10 SA-516
275	4 AF17-53 + 3 SA-510 + 6 SA-511	354	4 AF17-54 + 4 SA-510 + 8 SA-511	433	4 AF17-55 + 5 SA-510 + 10 SA-511
276	4 AF17-53 + 9 SA-511	355	4 AF17-54 + 12 SA-511	434	4 AF17-55 + 15 SA-511
277	4 AF17-53 + 6 SA-511 + 3 SA-512	356	4 AF17-54 + 8 SA-511 + 4 SA-512	435	4 AF17-55 + 10 SA-511 + 5 SA-512
278	4 AF17-53 + 3 SA-511 + 6 SA-512	357	4 AF17-54 + 4 SA-511 + 8 SA-512	436	4 AF17-55 + 5 SA-511 + 10 SA-512
279	4 AF17-53 + 9 SA-512	358	4 AF17-54 + 12 SA-512	437	4 AF17-55 + 15 SA-512
280	4 AF17-53 + 6 SA-512 + 3 SA-513	359	4 AF17-54 + 8 SA-512 + 4 SA-513	438	4 AF17-55 + 10 SA-512 + 5 SA-513
281	4 AF17-53 + 3 SA-512 + 6 SA-513	360	4 AF17-54 + 4 SA-512 + 8 SA-513	439	4 AF17-55 + 5 SA-512 + 10 SA-513
282	4 AF17-53 + 9 SA-513	361	4 AF17-54 + 12 SA-513	440	4 AF17-55 + 15 SA-513
283	4 AF17-53 + 6 SA-513 + 3 SA-514	362	4 AF17-54 + 8 SA-513 + 4 SA-514	441	4 AF17-55 + 10 SA-513 + 5 SA-514
284	4 AF17-53 + 3 SA-513 + 6 SA-514	363	4 AF17-54 + 4 SA-513 + 8 SA-514	442	4 AF17-55 + 5 SA-513 + 10 SA-514
285	4 AF17-53 + 9 SA-514	364	4 AF17-54 + 12 SA-514	443	4 AF17-55 + 15 SA-514
286	4 AF17-53 + 6 SA-514 + 3 SA-515	365	4 AF17-54 + 8 SA-514 + 4 SA-515	444	4 AF17-55 + 10 SA-514 + 5 SA-515
287	4 AF17-53 + 3 SA-514 + 6 SA-515	366	4 AF17-54 + 4 SA-514 + 8 SA-515	445	4 AF17-55 + 5 SA-514 + 10 SA-515
288	4 AF17-53 + 9 SA-515	367	4 AF17-54 + 12 SA-515	446	4 AF17-55 + 15 SA-515
289	4 AF17-53 + 6 SA-515 + 3 SA-516	368	4 AF17-54 + 8 SA-515 + 4 SA-516	447	4 AF17-55 + 10 SA-515 + 5 SA-516
290	4 AF17-53 + 3 SA-515 + 6 SA-516	369	4 AF17-54 + 4 SA-515 + 8 SA-516	448	4 AF17-55 + 5 SA-515 + 10 SA-516
291	4 AF17-53 + 9 SA-516	370	4 AF17-54 + 12 SA-516	449	4 AF17-55 + 15 SA-516
292	5 AF17-53 + 12 SA-512	371	5 AF17-54 + 16 SA-512	450	5 AF17-55 + 20 SA-512
293	5 AF17-53 + 9 SA-512 + 3 SA-513	372	5 AF17-54 + 12 SA-512 + 4 SA-513	451	5 AF17-55 + 15 SA-512 + 5 SA-513
294	5 AF17-53 + 6 SA-512 + 6 SA-513	373	5 AF17-54 + 8 SA-512 + 8 SA-513	452	5 AF17-55 + 10 SA-512 + 10 SA-513
295	5 AF17-53 + 3 SA-512 + 9 SA-513	374	5 AF17-54 + 4 SA-512 + 12 SA-513	453	5 AF17-55 + 5 SA-512 + 15 SA-513
296	5 AF17-53 + 12 SA-513	375	5 AF17-54 + 16 SA-513	454	5 AF17-55 + 20 SA-513
297	5 AF17-53 + 9 SA-513 + 3 SA-514	376	5 AF17-54 + 12 SA-513 + 4 SA-514	455	5 AF17-55 + 15 SA-513 + 5 SA-514
298	5 AF17-53 + 6 SA-513 + 6 SA-514	377	5 AF17-54 + 8 SA-513 + 8 SA-514	456	5 AF17-55 + 10 SA-513 + 10 SA-514
299	5 AF17-53 + 3 SA-513 + 9 SA-514	378	5 AF17-54 + 4 SA-513 + 12 SA-514	457	5 AF17-55 + 5 SA-513 + 15 SA-514
300	5 AF17-53 + 12 SA-514	379	5 AF17-54 + 16 SA-514	458	5 AF17-55 + 20 SA-514

Linear shelving 600 mm

3 LEVELS		4 LEVELS		5 LEVELS	
SET Nº	SHELVING ITEMS BREAKDOWN	SET Nº	SHELVING ITEMS BREAKDOWN	SET Nº	SHELVING ITEMS BREAKDOWN
1.010	2 AF17-63 + 3 SA-66	1.089	2 AF17-64 + 4 SA-66	1.168	2 AF17-65 + 5 SA-66
1.011	2 AF17-63 + 3 SA-67	1.090	2 AF17-64 + 4 SA-67	1.169	2 AF17-65 + 5 SA-67
1.012	2 AF17-63 + 3 SA-68	1.091	2 AF17-64 + 4 SA-68	1.170	2 AF17-65 + 5 SA-68
1.013	2 AF17-63 + 3 SA-69	1.092	2 AF17-64 + 4 SA-69	1.171	2 AF17-65 + 5 SA-69
1.014	2 AF17-63 + 3 SA-610	1.093	2 AF17-64 + 4 SA-610	1.172	2 AF17-65 + 5 SA-610
1.015	2 AF17-63 + 3 SA-611	1.094	2 AF17-64 + 4 SA-611	1.173	2 AF17-65 + 5 SA-611
1.016	2 AF17-63 + 3 SA-612	1.095	2 AF17-64 + 4 SA-612	1.174	2 AF17-65 + 5 SA-612
1.017	2 AF17-63 + 3 SA-613	1.096	2 AF17-64 + 4 SA-613	1.175	2 AF17-65 + 5 SA-613
1.018	2 AF17-63 + 3 SA-614	1.097	2 AF17-64 + 4 SA-614	1.176	2 AF17-65 + 5 SA-614
1.019	2 AF17-63 + 3 SA-615	1.098	2 AF17-64 + 4 SA-615	1.177	2 AF17-65 + 5 SA-615
1.020	2 AF17-63 + 3 SA-616	1.099	2 AF17-64 + 4 SA-616	1.178	2 AF17-65 + 5 SA-616
1.021	3 AF17-63 + 6 SA-68	1.100	3 AF17-64 + 8 SA-68	1.179	3 AF17-65 + 10 SA-68
1.022	3 AF17-63 + 3 SA-69 + 3 SA-68	1.101	3 AF17-64 + 4 SA-69 + 4 SA-68	1.180	3 AF17-65 + 5 SA-69 + 5 SA-68
1.023	3 AF17-63 + 6 SA-69	1.102	3 AF17-64 + 8 SA-69	1.181	3 AF17-65 + 10 SA-69
1.024	3 AF17-63 + 3 SA-69 + 3 SA-610	1.103	3 AF17-64 + 4 SA-69 + 4 SA-610	1.182	3 AF17-65 + 5 SA-69 + 5 SA-610
1.025	3 AF17-63 + 6 SA-610	1.104	3 AF17-64 + 8 SA-610	1.183	3 AF17-65 + 10 SA-610
1.026	3 AF17-63 + 3 SA-610 + 3 SA-611	1.105	3 AF17-64 + 4 SA-610 + 4 SA-611	1.184	3 AF17-65 + 5 SA-610 + 5 SA-611
1.027	3 AF17-63 + 6 SA-611	1.106	3 AF17-64 + 8 SA-611	1.185	3 AF17-65 + 10 SA-611
1.028	3 AF17-63 + 3 SA-611 + 3 SA-612	1.107	3 AF17-64 + 4 SA-611 + 4 SA-612	1.186	3 AF17-65 + 5 SA-611 + 5 SA-612
1.029	3 AF17-63 + 6 SA-612	1.108	3 AF17-64 + 8 SA-612	1.187	3 AF17-65 + 10 SA-612
1.030	3 AF17-63 + 3 SA-612 + 3 SA-613	1.109	3 AF17-64 + 4 SA-612 + 4 SA-613	1.188	3 AF17-65 + 5 SA-612 + 5 SA-613
1.031	3 AF17-63 + 6 SA-613	1.110	3 AF17-64 + 8 SA-613	1.189	3 AF17-65 + 10 SA-613
1.032	3 AF17-63 + 3 SA-613 + 3 SA-614	1.111	3 AF17-64 + 4 SA-613 + 4 SA-614	1.190	3 AF17-65 + 5 SA-613 + 5 SA-614
1.033	3 AF17-63 + 6 SA-614	1.112	3 AF17-64 + 8 SA-614	1.191	3 AF17-65 + 10 SA-614
1.034	3 AF17-63 + 3 SA-614 + 3 SA-615	1.113	3 AF17-64 + 4 SA-614 + 4 SA-615	1.192	3 AF17-65 + 5 SA-614 + 5 SA-615
1.035	3 AF17-63 + 6 SA-615	1.114	3 AF17-64 + 8 SA-615	1.193	3 AF17-65 + 10 SA-615
1.036	3 AF17-63 + 3 SA-615 + 3 SA-616	1.115	3 AF17-64 + 4 SA-615 + 4 SA-616	1.194	3 AF17-65 + 5 SA-615 + 5 SA-616
1.037	3 AF17-63 + 6 SA-616	1.116	3 AF17-64 + 8 SA-616	1.195	3 AF17-65 + 10 SA-616
1.038	4 AF17-63 + 3 SA-610 + 6 SA-611	1.117	4 AF17-64 + 4 SA-610 + 8 SA-611	1.196	4 AF17-65 + 5 SA-610 + 10 SA-611
1.039	4 AF17-63 + 9 SA-611	1.118	4 AF17-64 + 12 SA-611	1.197	4 AF17-65 + 15 SA-611
1.040	4 AF17-63 + 6 SA-611 + 3 SA-612	1.119	4 AF17-64 + 8 SA-611 + 4 SA-612	1.198	4 AF17-65 + 10 SA-611 + 5 SA-612
1.041	4 AF17-63 + 3 SA-611 + 6 SA-612	1.120	4 AF17-64 + 4 SA-611 + 8 SA-612	1.199	4 AF17-65 + 5 SA-611 + 10 SA-612
1.042	4 AF17-63 + 9 SA-612	1.121	4 AF17-64 + 12 SA-612	1.200	4 AF17-65 + 15 SA-612
1.043	4 AF17-63 + 6 SA-612 + 3 SA-613	1.122	4 AF17-64 + 8 SA-612 + 4 SA-613	1.201	4 AF17-65 + 10 SA-612 + 5 SA-613
1.044	4 AF17-63 + 3 SA-612 + 6 SA-613	1.123	4 AF17-64 + 4 SA-612 + 8 SA-613	1.202	4 AF17-65 + 5 SA-612 + 10 SA-613
1.045	4 AF17-63 + 9 SA-613	1.124	4 AF17-64 + 12 SA-613	1.203	4 AF17-65 + 15 SA-613
1.046	4 AF17-63 + 6 SA-613 + 3 SA-614	1.125	4 AF17-64 + 8 SA-613 + 4 SA-614	1.204	4 AF17-65 + 10 SA-613 + 5 SA-614
1.047	4 AF17-63 + 3 SA-613 + 6 SA-614	1.126	4 AF17-64 + 4 SA-613 + 8 SA-614	1.205	4 AF17-65 + 5 SA-613 + 10 SA-614
1.048	4 AF17-63 + 9 SA-614	1.127	4 AF17-64 + 12 SA-614	1.206	4 AF17-65 + 15 SA-614
1.049	4 AF17-63 + 6 SA-614 + 3 SA-615	1.128	4 AF17-64 + 8 SA-614 + 4 SA-615	1.207	4 AF17-65 + 10 SA-614 + 5 SA-615
1.050	4 AF17-63 + 3 SA-614 + 6 SA-615	1.129	4 AF17-64 + 4 SA-614 + 8 SA-615	1.208	4 AF17-65 + 5 SA-614 + 10 SA-615
1.051	4 AF17-63 + 9 SA-615	1.130	4 AF17-64 + 12 SA-615	1.209	4 AF17-65 + 15 SA-615
1.052	4 AF17-63 + 6 SA-615 + 3 SA-616	1.131	4 AF17-64 + 8 SA-615 + 4 SA-616	1.210	4 AF17-65 + 10 SA-615 + 5 SA-616
1.053	4 AF17-63 + 3 SA-615 + 6 SA-616	1.132	4 AF17-64 + 4 SA-615 + 8 SA-616	1.211	4 AF17-65 + 5 SA-615 + 10 SA-616
1.054	4 AF17-63 + 9 SA-616	1.133	4 AF17-64 + 12 SA-616	1.212	4 AF17-65 + 15 SA-616
1.055	5 AF17-63 + 12 SA-612	1.134	5 AF17-64 + 16 SA-612	1.213	5 AF17-65 + 20 SA-612
1.056	5 AF17-63 + 9 SA-612 + 3 SA-613	1.135	5 AF17-64 + 12 SA-612 + 4 SA-613	1.214	5 AF17-65 + 15 SA-612 + 5 SA-613
1.057	5 AF17-63 + 6 SA-612 + 6 SA-613	1.136	5 AF17-64 + 8 SA-612 + 8 SA-613	1.215	5 AF17-65 + 10 SA-612 + 10 SA-613
1.058	5 AF17-63 + 3 SA-612 + 9 SA-613	1.137	5 AF17-64 + 4 SA-612 + 12 SA-613	1.216	5 AF17-65 + 5 SA-612 + 15 SA-613
1.059	5 AF17-63 + 12 SA-613	1.138	5 AF17-64 + 16 SA-613	1.217	5 AF17-65 + 20 SA-613
1.060	5 AF17-63 + 9 SA-613 + 3 SA-614	1.139	5 AF17-64 + 12 SA-613 + 4 SA-614	1.218	5 AF17-65 + 15 SA-613 + 5 SA-614
1.061	5 AF17-63 + 6 SA-613 + 6 SA-614	1.140	5 AF17-64 + 8 SA-613 + 8 SA-614	1.219	5 AF17-65 + 10 SA-613 + 10 SA-614
1.062	5 AF17-63 + 3 SA-613 + 9 SA-614	1.141	5 AF17-64 + 4 SA-613 + 12 SA-614	1.220	5 AF17-65 + 5 SA-613 + 15 SA-614
1.063	5 AF17-63 + 12 SA-614	1.142	5 AF17-64 + 16 SA-614	1.221	5 AF17-65 + 20 SA-614

Corner shelving 400 mm

3 LEVELS		4 LEVELS		5 LEVELS	
SET N°	SHELVING ITEMS BREAKDOWN	SET N°	SHELVING ITEMS BREAKDOWN	SET N°	SHELVING ITEMS BREAKDOWN
500	1 AF17-43 + 3 SA-46 + 6 HK	579	1 AF17-44 + 4 SA-46 + 8 HK	658	1 AF17-45 + 5 SA-46 + 10 HK
501	1 AF17-43 + 3 SA-47 + 6 HK	580	1 AF17-44 + 4 SA-47 + 8 HK	659	1 AF17-45 + 5 SA-47 + 10 HK
502	1 AF17-43 + 3 SA-48 + 6 HK	581	1 AF17-44 + 4 SA-48 + 8 HK	660	1 AF17-45 + 5 SA-48 + 10 HK
503	1 AF17-43 + 3 SA-49 + 6 HK	582	1 AF17-44 + 4 SA-49 + 8 HK	661	1 AF17-45 + 5 SA-49 + 10 HK
504	1 AF17-43 + 3 SA-410 + 6 HK	583	1 AF17-44 + 4 SA-410 + 8 HK	662	1 AF17-45 + 5 SA-410 + 10 HK
505	1 AF17-43 + 3 SA-411 + 6 HK	584	1 AF17-44 + 4 SA-411 + 8 HK	663	1 AF17-45 + 5 SA-411 + 10 HK
506	1 AF17-43 + 3 SA-412 + 6 HK	585	1 AF17-44 + 4 SA-412 + 8 HK	664	1 AF17-45 + 5 SA-412 + 10 HK
507	1 AF17-43 + 3 SA-413 + 6 HK	586	1 AF17-44 + 4 SA-413 + 8 HK	665	1 AF17-45 + 5 SA-413 + 10 HK
508	1 AF17-43 + 3 SA-414 + 6 HK	587	1 AF17-44 + 4 SA-414 + 8 HK	666	1 AF17-45 + 5 SA-414 + 10 HK
509	1 AF17-43 + 3 SA-415 + 6 HK	588	1 AF17-44 + 4 SA-415 + 8 HK	667	1 AF17-45 + 5 SA-415 + 10 HK
510	1 AF17-43 + 3 SA-416 + 6 HK	589	1 AF17-44 + 4 SA-416 + 8 HK	668	1 AF17-45 + 5 SA-416 + 10 HK
511	2 AF17-43 + 6 SA-48 + 6 HK	590	2 AF17-44 + 8 SA-48 + 8 HK	669	2 AF17-45 + 10 SA-48 + 10 HK
512	2 AF17-43 + 3 SA-49 + 3 SA-48 + 6 HK	591	2 AF17-44 + 4 SA-49 + 4 SA-48 + 8 HK	670	2 AF17-45 + 5 SA-49 + 5 SA-48 + 10 HK
513	2 AF17-43 + 6 SA-49 + 6 HK	592	2 AF17-44 + 8 SA-49 + 8 HK	671	2 AF17-45 + 10 SA-49 + 10 HK
514	2 AF17-43 + 3 SA-49 + 3 SA-410 + 6 HK	593	2 AF17-44 + 4 SA-49 + 4 SA-410 + 8 HK	672	2 AF17-45 + 5 SA-49 + 5 SA-410 + 10 HK
515	2 AF17-43 + 6 SA-410 + 6 HK	594	2 AF17-44 + 8 SA-410 + 8 HK	673	2 AF17-45 + 10 SA-410 + 10 HK
516	2 AF17-43 + 3 SA-410 + 3 SA-411 + 6 HK	595	2 AF17-44 + 4 SA-410 + 4 SA-411 + 8 HK	674	2 AF17-45 + 5 SA-410 + 5 SA-411 + 10 HK
517	2 AF17-43 + 6 SA-411 + 6 HK	596	2 AF17-44 + 8 SA-411 + 8 HK	675	2 AF17-45 + 10 SA-411 + 10 HK
518	2 AF17-43 + 3 SA-411 + 3 SA-412 + 6 HK	597	2 AF17-44 + 4 SA-411 + 4 SA-412 + 8 HK	676	2 AF17-45 + 5 SA-411 + 5 SA-412 + 10 HK
519	2 AF17-43 + 6 SA-412 + 6 HK	598	2 AF17-44 + 8 SA-412 + 8 HK	677	2 AF17-45 + 10 SA-412 + 10 HK
520	2 AF17-43 + 3 SA-412 + 3 SA-413 + 6 HK	599	2 AF17-44 + 4 SA-412 + 4 SA-413 + 8 HK	678	2 AF17-45 + 5 SA-412 + 5 SA-413 + 10 HK
521	2 AF17-43 + 6 SA-413 + 6 HK	600	2 AF17-44 + 8 SA-413 + 8 HK	679	2 AF17-45 + 10 SA-413 + 10 HK
522	2 AF17-43 + 3 SA-413 + 3 SA-414 + 6 HK	601	2 AF17-44 + 4 SA-413 + 4 SA-414 + 8 HK	680	2 AF17-45 + 5 SA-413 + 5 SA-414 + 10 HK
523	2 AF17-43 + 6 SA-414 + 6 HK	602	2 AF17-44 + 8 SA-414 + 8 HK	681	2 AF17-45 + 10 SA-414 + 10 HK
524	2 AF17-43 + 3 SA-414 + 3 SA-415 + 6 HK	603	2 AF17-44 + 4 SA-414 + 4 SA-415 + 8 HK	682	2 AF17-45 + 5 SA-414 + 5 SA-415 + 10 HK
525	2 AF17-43 + 6 SA-415 + 6 HK	604	2 AF17-44 + 8 SA-415 + 8 HK	683	2 AF17-45 + 10 SA-415 + 10 HK
526	2 AF17-43 + 3 SA-415 + 3 SA-416 + 6 HK	605	2 AF17-44 + 4 SA-415 + 4 SA-416 + 8 HK	684	2 AF17-45 + 5 SA-415 + 5 SA-416 + 10 HK
527	2 AF17-43 + 6 SA-416 + 6 HK	606	2 AF17-44 + 8 SA-416 + 8 HK	685	2 AF17-45 + 10 SA-416 + 10 HK
528	3 AF17-43 + 3 SA-410 + 6 SA-411 + 6 HK	607	3 AF17-44 + 4 SA-410 + 8 SA-411 + 8 HK	686	3 AF17-45 + 5 SA-410 + 10 SA-411 + 10 HK
529	3 AF17-43 + 9 SA-411 + 6 HK	608	3 AF17-44 + 12 SA-411 + 8 HK	687	3 AF17-45 + 15 SA-411 + 10 HK
530	3 AF17-43 + 6 SA-411 + 3 SA-412 + 6 HK	609	3 AF17-44 + 8 SA-411 + 4 SA-412 + 8 HK	688	3 AF17-45 + 10 SA-411 + 5 SA-412 + 10 HK
531	3 AF17-43 + 3 SA-411 + 6 SA-412 + 6 HK	610	3 AF17-44 + 4 SA-411 + 8 SA-412 + 8 HK	689	3 AF17-45 + 5 SA-411 + 10 SA-412 + 10 HK
532	3 AF17-43 + 9 SA-412 + 6 HK	611	3 AF17-44 + 12 SA-412 + 8 HK	690	3 AF17-45 + 15 SA-412 + 10 HK
533	3 AF17-43 + 6 SA-412 + 3 SA-413 + 6 HK	612	3 AF17-44 + 8 SA-412 + 4 SA-413 + 8 HK	691	3 AF17-45 + 10 SA-412 + 5 SA-413 + 10 HK
534	3 AF17-43 + 3 SA-412 + 6 SA-413 + 6 HK	613	3 AF17-44 + 4 SA-412 + 8 SA-413 + 8 HK	692	3 AF17-45 + 5 SA-412 + 10 SA-413 + 10 HK
535	3 AF17-43 + 9 SA-413 + 6 HK	614	3 AF17-44 + 12 SA-413 + 8 HK	693	3 AF17-45 + 15 SA-413 + 10 HK
536	3 AF17-43 + 6 SA-413 + 3 SA-414 + 6 HK	615	3 AF17-44 + 8 SA-413 + 4 SA-414 + 8 HK	694	3 AF17-45 + 10 SA-413 + 5 SA-414 + 10 HK
537	3 AF17-43 + 3 SA-413 + 6 SA-414 + 6 HK	616	3 AF17-44 + 4 SA-413 + 8 SA-414 + 8 HK	695	3 AF17-45 + 5 SA-413 + 10 SA-414 + 10 HK
538	3 AF17-43 + 9 SA-414 + 6 HK	617	3 AF17-44 + 12 SA-414 + 8 HK	696	3 AF17-45 + 15 SA-414 + 10 HK
539	3 AF17-43 + 6 SA-414 + 3 SA-415 + 6 HK	618	3 AF17-44 + 8 SA-414 + 4 SA-415 + 8 HK	697	3 AF17-45 + 10 SA-414 + 5 SA-415 + 10 HK
540	3 AF17-43 + 3 SA-414 + 6 SA-415 + 6 HK	619	3 AF17-44 + 4 SA-414 + 8 SA-415 + 8 HK	698	3 AF17-45 + 5 SA-414 + 10 SA-415 + 10 HK
541	3 AF17-43 + 9 SA-415 + 6 HK	620	3 AF17-44 + 12 SA-415 + 8 HK	699	3 AF17-45 + 15 SA-415 + 10 HK
542	3 AF17-43 + 6 SA-415 + 3 SA-416 + 6 HK	621	3 AF17-44 + 8 SA-415 + 4 SA-416 + 8 HK	700	3 AF17-45 + 10 SA-415 + 5 SA-416 + 10 HK
543	3 AF17-43 + 3 SA-415 + 6 SA-416 + 6 HK	622	3 AF17-44 + 4 SA-415 + 8 SA-416 + 8 HK	701	3 AF17-45 + 5 SA-415 + 10 SA-416 + 10 HK
544	3 AF17-43 + 9 SA-416 + 6 HK	623	3 AF17-44 + 12 SA-416 + 8 HK	702	3 AF17-45 + 15 SA-416 + 10 HK
545	4 AF17-43 + 12 SA-412 + 6 HK	624	4 AF17-44 + 16 SA-412 + 8 HK	703	4 AF17-45 + 20 SA-412 + 10 HK
546	4 AF17-43 + 9 SA-412 + 3 SA-413 + 6 HK	625	4 AF17-44 + 12 SA-412 + 4 SA-413 + 8 HK	704	4 AF17-45 + 15 SA-412 + 5 SA-413 + 10 HK
547	4 AF17-43 + 6 SA-412 + 6 SA-413 + 6 HK	626	4 AF17-44 + 8 SA-412 + 8 SA-413 + 8 HK	705	4 AF17-45 + 10 SA-412 + 10 SA-413 + 10 HK
548	4 AF17-43 + 3 SA-412 + 9 SA-413 + 6 HK	627	4 AF17-44 + 4 SA-412 + 12 SA-413 + 8 HK	706	4 AF17-45 + 5 SA-412 + 15 SA-413 + 10 HK
549	4 AF17-43 + 12 SA-413 + 6 HK	628	4 AF17-44 + 16 SA-413 + 8 HK	707	4 AF17-45 + 20 SA-413 + 10 HK
550	4 AF17-43 + 9 SA-413 + 3 SA-414 + 6 HK	629	4 AF17-44 + 12 SA-413 + 4 SA-414 + 8 HK	708	4 AF17-45 + 15 SA-413 + 5 SA-414 + 10 HK
551	4 AF17-43 + 6 SA-413 + 6 SA-414 + 6 HK	630	4 AF17-44 + 8 SA-413 + 8 SA-414 + 8 HK	709	4 AF17-45 + 10 SA-413 + 10 SA-414 + 10 HK
552	4 AF17-43 + 3 SA-413 + 9 SA-414 + 6 HK	631	4 AF17-44 + 4 SA-413 + 12 SA-414 + 8 HK	710	4 AF17-45 + 5 SA-413 + 15 SA-414 + 10 HK
553	4 AF17-43 + 12 SA-414 + 6 HK	632	4 AF17-44 + 16 SA-414 + 8 HK	711	4 AF17-45 + 20 SA-414 + 10 HK

Corner shelving 500 mm

3 LEVELS		4 LEVELS		5 LEVELS	
SET Nº	SHELVING ITEMS BREAKDOWN	SET Nº	SHELVING ITEMS BREAKDOWN	SET Nº	SHELVING ITEMS BREAKDOWN
737	1 AF17-53 + 3 SA-56 + 6 HK	816	1 AF17-54 + 4 SA-56 + 8 HK	895	1 AF17-55 + 5 SA-56 + 10 HK
738	1 AF17-53 + 3 SA-57 + 6 HK	817	1 AF17-54 + 4 SA-57 + 8 HK	896	1 AF17-55 + 5 SA-57 + 10 HK
739	1 AF17-53 + 3 SA-58 + 6 HK	818	1 AF17-54 + 4 SA-58 + 8 HK	897	1 AF17-55 + 5 SA-58 + 10 HK
740	1 AF17-53 + 3 SA-59 + 6 HK	819	1 AF17-54 + 4 SA-59 + 8 HK	898	1 AF17-55 + 5 SA-59 + 10 HK
741	1 AF17-53 + 3 SA-510 + 6 HK	820	1 AF17-54 + 4 SA-510 + 8 HK	899	1 AF17-55 + 5 SA-510 + 10 HK
742	1 AF17-53 + 3 SA-511 + 6 HK	821	1 AF17-54 + 4 SA-511 + 8 HK	900	1 AF17-55 + 5 SA-511 + 10 HK
743	1 AF17-53 + 3 SA-512 + 6 HK	822	1 AF17-54 + 4 SA-512 + 8 HK	901	1 AF17-55 + 5 SA-512 + 10 HK
744	1 AF17-53 + 3 SA-513 + 6 HK	823	1 AF17-54 + 4 SA-513 + 8 HK	902	1 AF17-55 + 5 SA-513 + 10 HK
745	1 AF17-53 + 3 SA-514 + 6 HK	824	1 AF17-54 + 4 SA-514 + 8 HK	903	1 AF17-55 + 5 SA-514 + 10 HK
746	1 AF17-53 + 3 SA-515 + 6 HK	825	1 AF17-54 + 4 SA-515 + 8 HK	904	1 AF17-55 + 5 SA-515 + 10 HK
747	1 AF17-53 + 3 SA-516 + 6 HK	826	1 AF17-54 + 4 SA-516 + 8 HK	905	1 AF17-55 + 5 SA-516 + 10 HK
748	2 AF17-53 + 6 SA-58 + 6 HK	827	2 AF17-54 + 8 SA-58 + 8 HK	906	2 AF17-55 + 10 SA-58 + 10 HK
749	2 AF17-53 + 3 SA-59 + 3 SA-58 + 6 HK	828	2 AF17-54 + 4 SA-59 + 4 SA-58 + 8 HK	907	2 AF17-55 + 5 SA-59 + 5 SA-58 + 10 HK
750	2 AF17-53 + 6 SA-59 + 6 HK	829	2 AF17-54 + 8 SA-59 + 8 HK	908	2 AF17-55 + 10 SA-59 + 10 HK
751	2 AF17-53 + 3 SA-59 + 3 SA-510 + 6 HK	830	2 AF17-54 + 4 SA-59 + 4 SA-510 + 8 HK	909	2 AF17-55 + 5 SA-59 + 5 SA-510 + 10 HK
752	2 AF17-53 + 6 SA-510 + 6 HK	831	2 AF17-54 + 8 SA-510 + 8 HK	910	2 AF17-55 + 10 SA-510 + 10 HK
753	2 AF17-53 + 3 SA-510 + 3 SA-511 + 6 HK	832	2 AF17-54 + 4 SA-510 + 4 SA-511 + 8 HK	911	2 AF17-55 + 5 SA-510 + 5 SA-511 + 10 HK
754	2 AF17-53 + 6 SA-511 + 6 HK	833	2 AF17-54 + 8 SA-511 + 8 HK	912	2 AF17-55 + 10 SA-511 + 10 HK
755	2 AF17-53 + 3 SA-511 + 3 SA-512 + 6 HK	834	2 AF17-54 + 4 SA-511 + 4 SA-512 + 8 HK	913	2 AF17-55 + 5 SA-511 + 5 SA-512 + 10 HK
756	2 AF17-53 + 6 SA-512 + 6 HK	835	2 AF17-54 + 8 SA-512 + 8 HK	914	2 AF17-55 + 10 SA-512 + 10 HK
757	2 AF17-53 + 3 SA-512 + 3 SA-513 + 6 HK	836	2 AF17-54 + 4 SA-512 + 4 SA-513 + 8 HK	915	2 AF17-55 + 5 SA-512 + 5 SA-513 + 10 HK
758	2 AF17-53 + 6 SA-513 + 6 HK	837	2 AF17-54 + 8 SA-513 + 8 HK	916	2 AF17-55 + 10 SA-513 + 10 HK
759	2 AF17-53 + 3 SA-513 + 3 SA-514 + 6 HK	838	2 AF17-54 + 4 SA-513 + 4 SA-514 + 8 HK	917	2 AF17-55 + 5 SA-513 + 5 SA-514 + 10 HK
760	2 AF17-53 + 6 SA-514 + 6 HK	839	2 AF17-54 + 8 SA-514 + 8 HK	918	2 AF17-55 + 10 SA-514 + 10 HK
761	2 AF17-53 + 3 SA-514 + 3 SA-515 + 6 HK	840	2 AF17-54 + 4 SA-514 + 4 SA-515 + 8 HK	919	2 AF17-55 + 5 SA-514 + 5 SA-515 + 10 HK
762	2 AF17-53 + 6 SA-515 + 6 HK	841	2 AF17-54 + 8 SA-515 + 8 HK	920	2 AF17-55 + 10 SA-515 + 10 HK
763	2 AF17-53 + 3 SA-515 + 3 SA-516 + 6 HK	842	2 AF17-54 + 4 SA-515 + 4 SA-516 + 8 HK	921	2 AF17-55 + 5 SA-515 + 5 SA-516 + 10 HK
764	2 AF17-53 + 6 SA-516 + 6 HK	843	2 AF17-54 + 8 SA-516 + 8 HK	922	2 AF17-55 + 10 SA-516 + 10 HK
765	3 AF17-53 + 3 SA-510 + 6 SA-511 + 6 HK	844	3 AF17-54 + 4 SA-510 + 8 SA-511 + 8 HK	923	3 AF17-55 + 5 SA-510 + 10 SA-511 + 10 HK
766	3 AF17-53 + 9 SA-511 + 6 HK	845	3 AF17-54 + 12 SA-511 + 8 HK	924	3 AF17-55 + 15 SA-511 + 10 HK
767	3 AF17-53 + 6 SA-511 + 3 SA-512 + 6 HK	846	3 AF17-54 + 8 SA-511 + 4 SA-512 + 8 HK	925	3 AF17-55 + 10 SA-511 + 5 SA-512 + 10 HK
768	3 AF17-53 + 3 SA-511 + 6 SA-512 + 6 HK	847	3 AF17-54 + 4 SA-511 + 8 SA-512 + 8 HK	926	3 AF17-55 + 5 SA-511 + 10 SA-512 + 10 HK
769	3 AF17-53 + 9 SA-512 + 6 HK	848	3 AF17-54 + 12 SA-512 + 8 HK	927	3 AF17-55 + 15 SA-512 + 10 HK
770	3 AF17-53 + 6 SA-512 + 3 SA-513 + 6 HK	849	3 AF17-54 + 8 SA-512 + 4 SA-513 + 8 HK	928	3 AF17-55 + 10 SA-512 + 5 SA-513 + 10 HK
771	3 AF17-53 + 3 SA-512 + 6 SA-513 + 6 HK	850	3 AF17-54 + 4 SA-512 + 8 SA-513 + 8 HK	929	3 AF17-55 + 5 SA-512 + 10 SA-513 + 10 HK
772	3 AF17-53 + 9 SA-513 + 6 HK	851	3 AF17-54 + 12 SA-513 + 8 HK	930	3 AF17-55 + 15 SA-513 + 10 HK
773	3 AF17-53 + 6 SA-513 + 3 SA-514 + 6 HK	852	3 AF17-54 + 8 SA-513 + 4 SA-514 + 8 HK	931	3 AF17-55 + 10 SA-513 + 5 SA-514 + 10 HK
774	3 AF17-53 + 3 SA-513 + 6 SA-514 + 6 HK	853	3 AF17-54 + 4 SA-513 + 8 SA-514 + 8 HK	932	3 AF17-55 + 5 SA-513 + 10 SA-514 + 10 HK
775	3 AF17-53 + 9 SA-514 + 6 HK	854	3 AF17-54 + 12 SA-514 + 8 HK	933	3 AF17-55 + 15 SA-514 + 10 HK
776	3 AF17-53 + 6 SA-514 + 3 SA-515 + 6 HK	855	3 AF17-54 + 8 SA-514 + 4 SA-515 + 8 HK	934	3 AF17-55 + 10 SA-514 + 5 SA-515 + 10 HK
777	3 AF17-53 + 3 SA-514 + 6 SA-515 + 6 HK	856	3 AF17-54 + 4 SA-514 + 8 SA-515 + 8 HK	935	3 AF17-55 + 5 SA-514 + 10 SA-515 + 10 HK
778	3 AF17-53 + 9 SA-515 + 6 HK	857	3 AF17-54 + 12 SA-515 + 8 HK	936	3 AF17-55 + 15 SA-515 + 10 HK
779	3 AF17-53 + 6 SA-515 + 3 SA-516 + 6 HK	858	3 AF17-54 + 8 SA-515 + 4 SA-516 + 8 HK	937	3 AF17-55 + 10 SA-515 + 5 SA-516 + 10 HK
780	3 AF17-53 + 3 SA-515 + 6 SA-516 + 6 HK	859	3 AF17-54 + 4 SA-515 + 8 SA-516 + 8 HK	938	3 AF17-55 + 5 SA-515 + 10 SA-516 + 10 HK
781	3 AF17-53 + 9 SA-516 + 6 HK	860	3 AF17-54 + 12 SA-516 + 8 HK	939	3 AF17-55 + 15 SA-516 + 10 HK
782	4 AF17-53 + 12 SA-512 + 6 HK	861	4 AF17-54 + 16 SA-512 + 8 HK	940	4 AF17-55 + 20 SA-512 + 10 HK
783	4 AF17-53 + 9 SA-512 + 3 SA-513 + 6 HK	862	4 AF17-54 + 12 SA-512 + 4 SA-513 + 8 HK	941	4 AF17-55 + 15 SA-512 + 5 SA-513 + 10 HK
784	4 AF17-53 + 6 SA-512 + 6 SA-513 + 6 HK	863	4 AF17-54 + 8 SA-512 + 8 SA-513 + 8 HK	942	4 AF17-55 + 10 SA-512 + 10 SA-513 + 10 HK
785	4 AF17-53 + 3 SA-512 + 9 SA-513 + 6 HK	864	4 AF17-54 + 4 SA-512 + 12 SA-513 + 8 HK	943	4 AF17-55 + 5 SA-512 + 15 SA-513 + 10 HK
786	4 AF17-53 + 12 SA-513 + 6 HK	865	4 AF17-54 + 16 SA-513 + 8 HK	944	4 AF17-55 + 20 SA-513 + 10 HK
787	4 AF17-53 + 9 SA-513 + 3 SA-514 + 6 HK	866	4 AF17-54 + 12 SA-513 + 4 SA-514 + 8 HK	945	4 AF17-55 + 15 SA-513 + 5 SA-514 + 10 HK
788	4 AF17-53 + 6 SA-513 + 6 SA-514 + 6 HK	867	4 AF17-54 + 8 SA-513 + 8 SA-514 + 8 HK	946	4 AF17-55 + 10 SA-513 + 10 SA-514 + 10 HK
789	4 AF17-53 + 3 SA-513 + 9 SA-514 + 6 HK	868	4 AF17-54 + 4 SA-513 + 12 SA-514 + 8 HK	947	4 AF17-55 + 5 SA-513 + 15 SA-514 + 10 HK
790	4 AF17-53 + 12 SA-514 + 6 HK	869	4 AF17-54 + 16 SA-514 + 8 HK	948	4 AF17-55 + 20 SA-514 + 10 HK

Corner shelving 600 mm

3 LEVELS		4 LEVELS		5 LEVELS	
SET N°	SHELVING ITEMS BREAKDOWN	SET N°	SHELVING ITEMS BREAKDOWN	SET N°	SHELVING ITEMS BREAKDOWN
1.500	1 AF17-63 + 3 SA-66 + 6 HK	1.579	1 AF17-64 + 4 SA-66 + 8 HK	1.658	1 AF17-65 + 5 SA-66 + 10 HK
1.501	1 AF17-63 + 3 SA-67 + 6 HK	1.580	1 AF17-64 + 4 SA-67 + 8 HK	1.659	1 AF17-65 + 5 SA-67 + 10 HK
1.502	1 AF17-63 + 3 SA-68 + 6 HK	1.581	1 AF17-64 + 4 SA-68 + 8 HK	1.660	1 AF17-65 + 5 SA-68 + 10 HK
1.503	1 AF17-63 + 3 SA-69 + 6 HK	1.582	1 AF17-64 + 4 SA-69 + 8 HK	1.661	1 AF17-65 + 5 SA-69 + 10 HK
1.504	1 AF17-63 + 3 SA-610 + 6 HK	1.583	1 AF17-64 + 4 SA-610 + 8 HK	1.662	1 AF17-65 + 5 SA-610 + 10 HK
1.505	1 AF17-63 + 3 SA-611 + 6 HK	1.584	1 AF17-64 + 4 SA-611 + 8 HK	1.663	1 AF17-65 + 5 SA-611 + 10 HK
1.506	1 AF17-63 + 3 SA-612 + 6 HK	1.585	1 AF17-64 + 4 SA-612 + 8 HK	1.664	1 AF17-65 + 5 SA-612 + 10 HK
1.507	1 AF17-63 + 3 SA-613 + 6 HK	1.586	1 AF17-64 + 4 SA-613 + 8 HK	1.665	1 AF17-65 + 5 SA-613 + 10 HK
1.508	1 AF17-63 + 3 SA-614 + 6 HK	1.587	1 AF17-64 + 4 SA-614 + 8 HK	1.666	1 AF17-65 + 5 SA-614 + 10 HK
1.509	1 AF17-63 + 3 SA-615 + 6 HK	1.588	1 AF17-64 + 4 SA-615 + 8 HK	1.667	1 AF17-65 + 5 SA-615 + 10 HK
1.510	1 AF17-63 + 3 SA-616 + 6 HK	1.589	1 AF17-64 + 4 SA-616 + 8 HK	1.668	1 AF17-65 + 5 SA-616 + 10 HK
1.511	2 AF17-63 + 6 SA-68 + 6 HK	1.590	2 AF17-64 + 8 SA-68 + 8 HK	1.669	2 AF17-65 + 10 SA-68 + 10 HK
1.512	2 AF17-63 + 3 SA-69 + 3 SA-68 + 6 HK	1.591	2 AF17-64 + 4 SA-69 + 4 SA-68 + 8 HK	1.670	2 AF17-65 + 5 SA-69 + 5 SA-68 + 10 HK
1.513	2 AF17-63 + 6 SA-69 + 6 HK	1.592	2 AF17-64 + 8 SA-69 + 8 HK	1.671	2 AF17-65 + 10 SA-69 + 10 HK
1.514	2 AF17-63 + 3 SA-69 + 3 SA-610 + 6 HK	1.593	2 AF17-64 + 4 SA-69 + 4 SA-610 + 8 HK	1.672	2 AF17-65 + 5 SA-69 + 5 SA-610 + 10 HK
1.515	2 AF17-63 + 6 SA-610 + 6 HK	1.594	2 AF17-64 + 8 SA-610 + 8 HK	1.673	2 AF17-65 + 10 SA-610 + 10 HK
1.516	2 AF17-63 + 3 SA-610 + 3 SA-611 + 6 HK	1.595	2 AF17-64 + 4 SA-610 + 4 SA-611 + 8 HK	1.674	2 AF17-65 + 5 SA-610 + 5 SA-611 + 10 HK
1.517	2 AF17-63 + 6 SA-611 + 6 HK	1.596	2 AF17-64 + 8 SA-611 + 8 HK	1.675	2 AF17-65 + 10 SA-611 + 10 HK
1.518	2 AF17-63 + 3 SA-611 + 3 SA-612 + 6 HK	1.597	2 AF17-64 + 4 SA-611 + 4 SA-612 + 8 HK	1.676	2 AF17-65 + 5 SA-611 + 5 SA-612 + 10 HK
1.519	2 AF17-63 + 6 SA-612 + 6 HK	1.598	2 AF17-64 + 8 SA-612 + 8 HK	1.677	2 AF17-65 + 10 SA-612 + 10 HK
1.520	2 AF17-63 + 3 SA-612 + 3 SA-613 + 6 HK	1.599	2 AF17-64 + 4 SA-612 + 4 SA-613 + 8 HK	1.678	2 AF17-65 + 5 SA-612 + 5 SA-613 + 10 HK
1.521	2 AF17-63 + 6 SA-613 + 6 HK	1.600	2 AF17-64 + 8 SA-613 + 8 HK	1.679	2 AF17-65 + 10 SA-613 + 10 HK
1.522	2 AF17-63 + 3 SA-613 + 3 SA-614 + 6 HK	1.601	2 AF17-64 + 4 SA-613 + 4 SA-614 + 8 HK	1.680	2 AF17-65 + 5 SA-613 + 5 SA-614 + 10 HK
1.523	2 AF17-63 + 6 SA-614 + 6 HK	1.602	2 AF17-64 + 8 SA-614 + 8 HK	1.681	2 AF17-65 + 10 SA-614 + 10 HK
1.524	2 AF17-63 + 3 SA-614 + 3 SA-615 + 6 HK	1.603	2 AF17-64 + 4 SA-614 + 4 SA-615 + 8 HK	1.682	2 AF17-65 + 5 SA-614 + 5 SA-615 + 10 HK
1.525	2 AF17-63 + 6 SA-615 + 6 HK	1.604	2 AF17-64 + 8 SA-615 + 8 HK	1.683	2 AF17-65 + 10 SA-615 + 10 HK
1.526	2 AF17-63 + 3 SA-615 + 3 SA-616 + 6 HK	1.605	2 AF17-64 + 4 SA-615 + 4 SA-616 + 8 HK	1.684	2 AF17-65 + 5 SA-615 + 5 SA-616 + 10 HK
1.527	2 AF17-63 + 6 SA-616 + 6 HK	1.606	2 AF17-64 + 8 SA-616 + 8 HK	1.685	2 AF17-65 + 10 SA-616 + 10 HK
1.528	3 AF17-63 + 3 SA-610 + 6 SA-611 + 6 HK	1.607	3 AF17-64 + 4 SA-610 + 8 SA-611 + 8 HK	1.686	3 AF17-65 + 5 SA-610 + 10 SA-611 + 10 HK
1.529	3 AF17-63 + 9 SA-611 + 6 HK	1.608	3 AF17-64 + 12 SA-611 + 8 HK	1.687	3 AF17-65 + 15 SA-611 + 10 HK
1.530	3 AF17-63 + 6 SA-611 + 3 SA-612 + 6 HK	1.609	3 AF17-64 + 8 SA-611 + 4 SA-612 + 8 HK	1.688	3 AF17-65 + 10 SA-611 + 5 SA-612 + 10 HK
1.531	3 AF17-63 + 3 SA-611 + 6 SA-612 + 6 HK	1.610	3 AF17-64 + 4 SA-611 + 8 SA-612 + 8 HK	1.689	3 AF17-65 + 5 SA-611 + 10 SA-612 + 10 HK
1.532	3 AF17-63 + 9 SA-612 + 6 HK	1.611	3 AF17-64 + 12 SA-612 + 8 HK	1.690	3 AF17-65 + 15 SA-612 + 10 HK
1.533	3 AF17-63 + 6 SA-612 + 3 SA-613 + 6 HK	1.612	3 AF17-64 + 8 SA-612 + 4 SA-613 + 8 HK	1.691	3 AF17-65 + 10 SA-612 + 5 SA-613 + 10 HK
1.534	3 AF17-63 + 3 SA-612 + 6 SA-613 + 6 HK	1.613	3 AF17-64 + 4 SA-612 + 8 SA-613 + 8 HK	1.692	3 AF17-65 + 5 SA-612 + 10 SA-613 + 10 HK
1.535	3 AF17-63 + 9 SA-613 + 6 HK	1.614	3 AF17-64 + 12 SA-613 + 8 HK	1.693	3 AF17-65 + 15 SA-613 + 10 HK
1.536	3 AF17-63 + 6 SA-613 + 3 SA-614 + 6 HK	1.615	3 AF17-64 + 8 SA-613 + 4 SA-614 + 8 HK	1.694	3 AF17-65 + 10 SA-613 + 5 SA-614 + 10 HK
1.537	3 AF17-63 + 3 SA-613 + 6 SA-614 + 6 HK	1.616	3 AF17-64 + 4 SA-613 + 8 SA-614 + 8 HK	1.695	3 AF17-65 + 5 SA-613 + 10 SA-614 + 10 HK
1.538	3 AF17-63 + 9 SA-614 + 6 HK	1.617	3 AF17-64 + 12 SA-614 + 8 HK	1.696	3 AF17-65 + 15 SA-614 + 10 HK
1.539	3 AF17-63 + 6 SA-614 + 3 SA-615 + 6 HK	1.618	3 AF17-64 + 8 SA-614 + 4 SA-615 + 8 HK	1.697	3 AF17-65 + 10 SA-614 + 5 SA-615 + 10 HK
1.540	3 AF17-63 + 3 SA-614 + 6 SA-615 + 6 HK	1.619	3 AF17-64 + 4 SA-614 + 8 SA-615 + 8 HK	1.698	3 AF17-65 + 5 SA-614 + 10 SA-615 + 10 HK
1.541	3 AF17-63 + 9 SA-615 + 6 HK	1.620	3 AF17-64 + 12 SA-615 + 8 HK	1.699	3 AF17-65 + 15 SA-615 + 10 HK
1.542	3 AF17-63 + 6 SA-615 + 3 SA-616 + 6 HK	1.621	3 AF17-64 + 8 SA-615 + 4 SA-616 + 8 HK	1.700	3 AF17-65 + 10 SA-615 + 5 SA-616 + 10 HK
1.543	3 AF17-63 + 3 SA-615 + 6 SA-616 + 6 HK	1.622	3 AF17-64 + 4 SA-615 + 8 SA-616 + 8 HK	1.701	3 AF17-65 + 5 SA-615 + 10 SA-616 + 10 HK
1.544	3 AF17-63 + 9 SA-616 + 6 HK	1.623	3 AF17-64 + 12 SA-616 + 8 HK	1.702	3 AF17-65 + 15 SA-616 + 10 HK
1.545	4 AF17-63 + 12 SA-612 + 6 HK	1.624	4 AF17-64 + 16 SA-612 + 8 HK	1.703	4 AF17-65 + 20 SA-612 + 10 HK
1.546	4 AF17-63 + 9 SA-612 + 3 SA-613 + 6 HK	1.625	4 AF17-64 + 12 SA-612 + 4 SA-613 + 8 HK	1.704	4 AF17-65 + 15 SA-612 + 5 SA-613 + 10 HK
1.547	4 AF17-63 + 6 SA-612 + 6 SA-613 + 6 HK	1.626	4 AF17-64 + 8 SA-612 + 8 SA-613 + 8 HK	1.705	4 AF17-65 + 10 SA-612 + 10 SA-613 + 10 HK
1.548	4 AF17-63 + 3 SA-612 + 9 SA-613 + 6 HK	1.627	4 AF17-64 + 4 SA-612 + 12 SA-613 + 8 HK	1.706	4 AF17-65 + 5 SA-612 + 15 SA-613 + 10 HK
1.549	4 AF17-63 + 12 SA-613 + 6 HK	1.628	4 AF17-64 + 16 SA-613 + 8 HK	1.707	4 AF17-65 + 20 SA-613 + 10 HK
1.550	4 AF17-63 + 9 SA-613 + 3 SA-614 + 6 HK	1.629	4 AF17-64 + 12 SA-613 + 4 SA-614 + 8 HK	1.708	4 AF17-65 + 15 SA-613 + 5 SA-614 + 10 HK
1.551	4 AF17-63 + 6 SA-613 + 6 SA-614 + 6 HK	1.630	4 AF17-64 + 8 SA-613 + 8 SA-614 + 8 HK	1.709	4 AF17-65 + 10 SA-613 + 10 SA-614 + 10 HK
1.552	4 AF17-63 + 3 SA-613 + 9 SA-614 + 6 HK	1.631	4 AF17-64 + 4 SA-613 + 12 SA-614 + 8 HK	1.710	4 AF17-65 + 5 SA-613 + 15 SA-614 + 10 HK
1.553	4 AF17-63 + 12 SA-614 + 6 HK	1.632	4 AF17-64 + 16 SA-614 + 8 HK	1.711	4 AF17-65 + 20 SA-614 + 10 HK